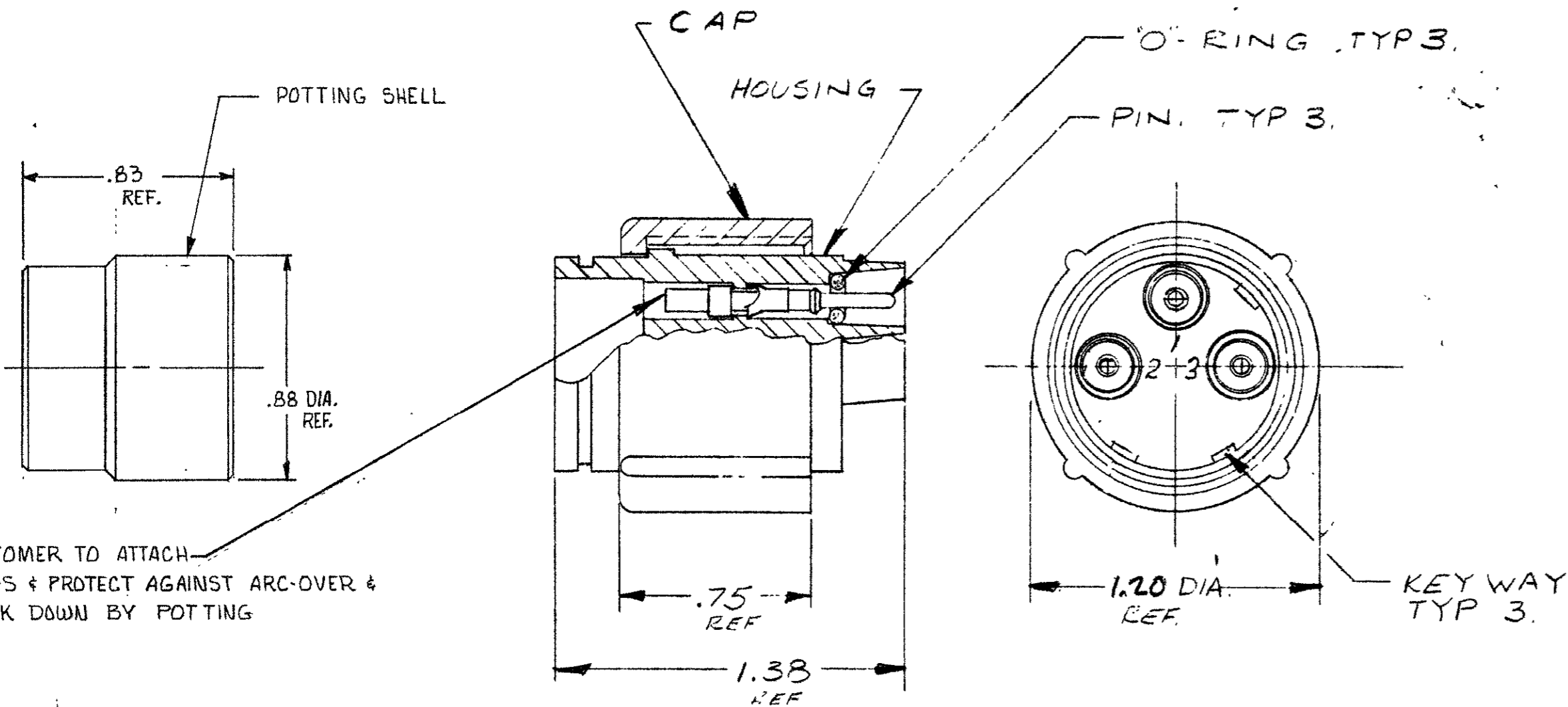


© 1976 BY AMP INCORPORATED. ALL RIGHTS RESERVED. AMP PRODUCTS COVERED BY PATENTS AND/OR PATENTS PENDING.

THIS PRODUCT DESIGNED AND BUILT BY AMP INCORPORATED. NO LICENSE TO USE THAT DESIGN IN MANUFACTURE, OR TO USE ANY ISSUED OR PENDING PATENTS WHICH ARE INVOLVED, IS IMPLIED.

REVISIONS				
ZONE	LTR	DESCRIPTION	DATE	APPROVED
A		REV PER 0414-120-04	CT	10-84 CT

Unpublished copy not to be reproduced or published without written permission of AMP Incorporated.



CUSTOMER TO ATTACH LEADS & PROTECT AGAINST ARC-OVER & BREAK DOWN BY POTTING

NOTE:

- MARK PER AMP-SPEC. 118-36000 (WHITE) 7254
- PLUG WILL WITHSTAND WITHOUT BREAKDOWN 27 KVDC PIN TO PIN & 27 KVDC PIN TO GRD. WHEN MATED WITH RCPT. # 859527-1
- PLUG & PINS, SHIPPED SEPARATELY.
- TYPE II PINS TO ACCEPT ONE 20 AWG, (U) 22 AWG, OR (U) 24 AWG STRANDED WIRE
- TYPE II PINS TO ACCEPT ONE 16 AWG, OR (U) 18 AWG STRANDED WIRE
- TO REMOVE PINS USE EXTRACTION TOOL # 3G1751-1
- TYPE II PINS TO ACCEPT ONE (U) 14 AWG STRANDED WIRE.

AMP P/N	WIRE SIZE RANGE	HAND TOOL
863021-1	20, 22, 24	45099
863021-2	16, 18	45098
863021-3	14	45098

QTY REQD	QTY REQD	ITEM NO.	DWG SIZE	PART OR IDENTIFYING NO.	NOMENCLATURE OR DESCRIPTION	SYMBOL	
-2	-1						
PARTS LIST							
UNLESS OTHERWISE SPECIFIED: DIMENSIONS ARE IN INCHES TOLERANCES .00 ± ANGLES ± .000 ±				CONTRACT NO. DR DICK STONE 3-2-76 CHK			AMP INCORPORATED CAPITRON DIVISION ELIZABETHTOWN, PENNSYLVANIA
MATERIAL: MOLDED PLASTIC				NAME PLUG ASSY 3 PIN EGH			
FINISH: BLACK				APPD M. [Signature] 9/3/74 APPD			SIZE C CODE IDENT NO. 00779 NUMBER 863021
NEXT ASSY FINAL ASSY NEXT ASSY USED ON				DSGN APPD OTHER APPD			
QTY REQD APPLICATION				SCALE NONE WT SHEET 1 OF 1			

Mouser Electronics

Authorized Distributor

Click to View Pricing, Inventory, Delivery & Lifecycle Information:

[TE Connectivity:](#)

[863021-2](#)