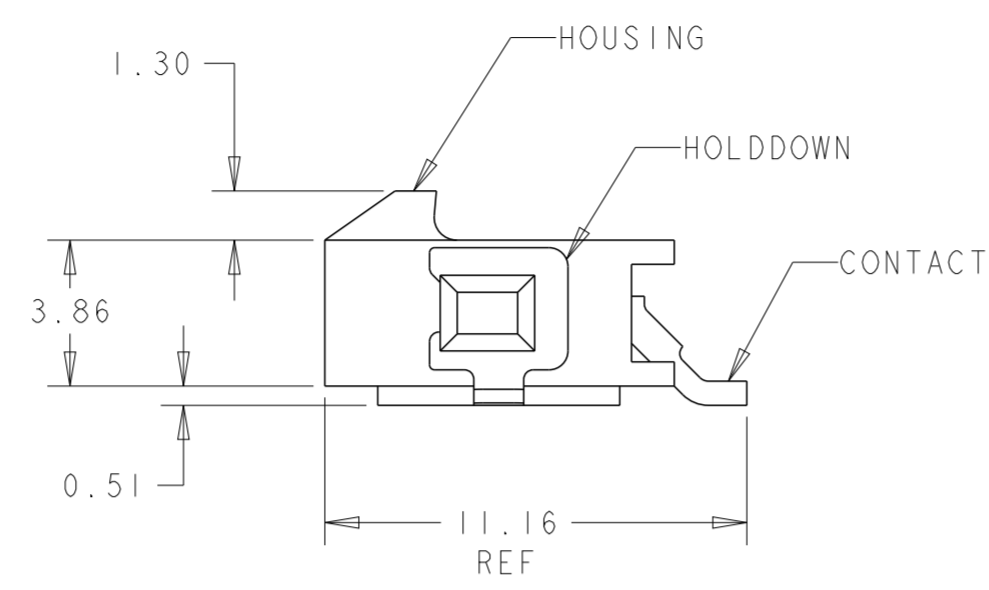
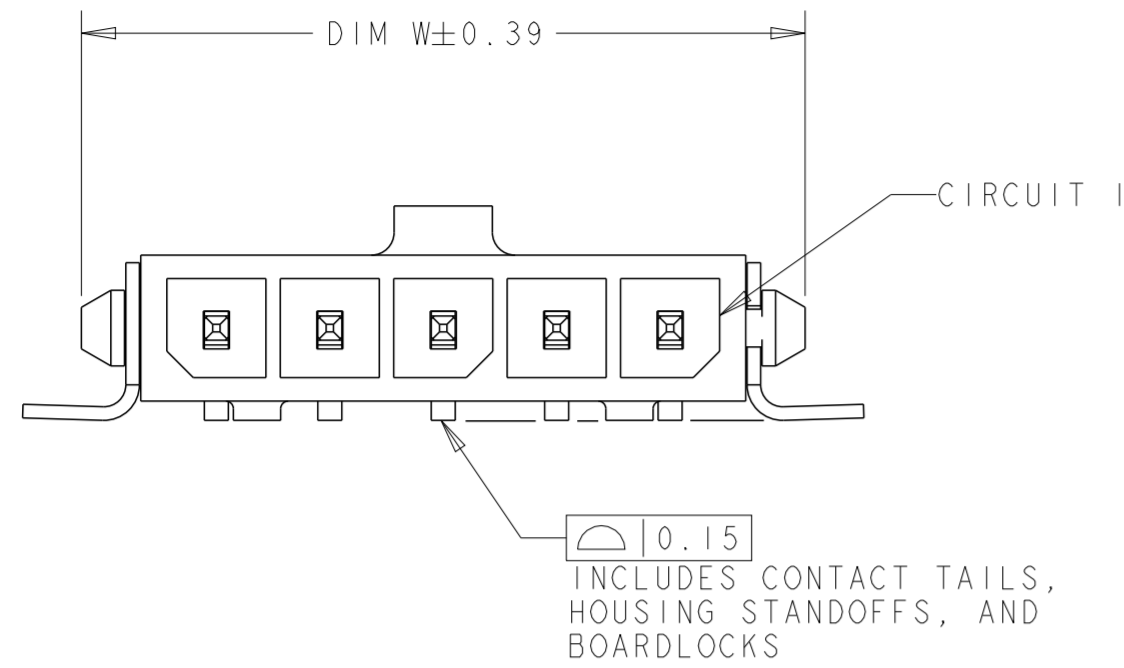
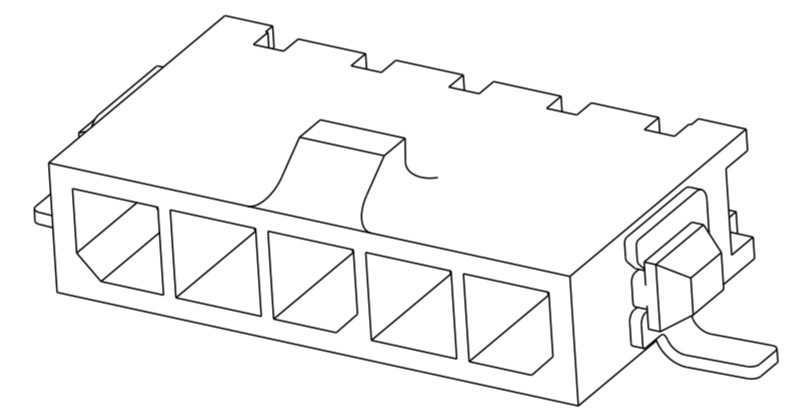
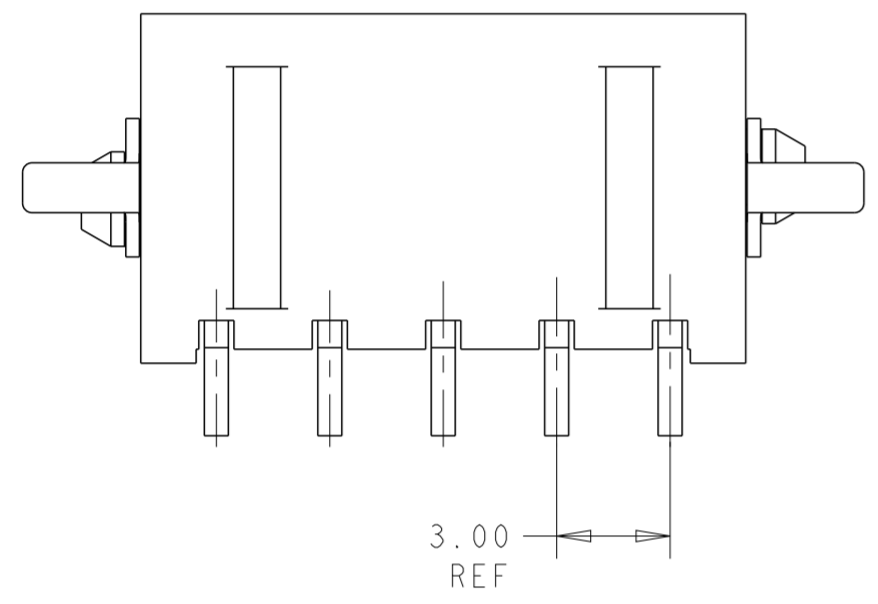


THIS DRAWING IS UNPUBLISHED. RELEASED FOR PUBLICATION 20  
 © COPYRIGHT 20 BY - ALL RIGHTS RESERVED.

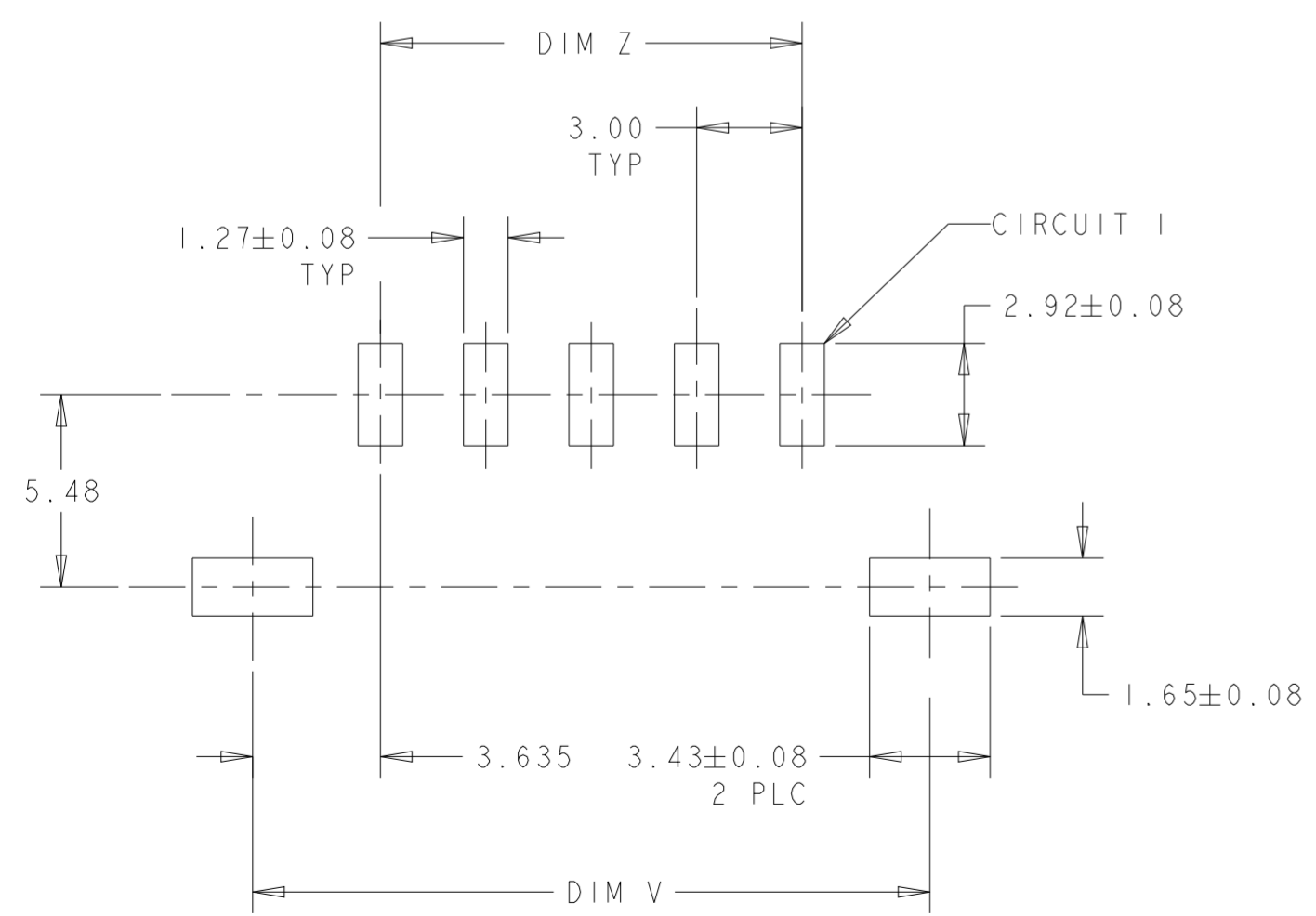
| REVISIONS |     |                           |           |     |      |
|-----------|-----|---------------------------|-----------|-----|------|
| P         | LTR | DESCRIPTION               | DATE      | DWN | APVD |
| C3        |     | REVISED PER ECR-16-011494 | 20JUN2017 | NK  | CX   |
|           |     |                           |           |     |      |
|           |     |                           |           |     |      |



- 1 MATERIAL: CONTACTS - BRASS  
HOUSING - UL 94V-0 RATED HIGH TEMP NYLON, COLOR BLACK.  
HOLDDOWNS: - PHOSPHOR BRONZE.
- 2 PLATING: CONTACTS- 2.54µm MINIMUM TIN LEAD OVER 1.27µm MINIMUM NICKEL.  
HOLDDOWNS- 2.54µm MINIMUM TIN-LEAD OVER 1.27µm MINIMUM NICKEL.
- 4 RECOMMENDED PC BOARD THICKNESS OF 1.57.
- 5 PLATING: CONTACTS-2.54µm MINIMUM TIN OVER 1.27µm MINIMUM NICKEL.  
HOLDDOWNS- 2.54µm MINIMUM TIN OVER 1.27µm MINIMUM NICKEL.



|   |        |       |       |       |                        |             |
|---|--------|-------|-------|-------|------------------------|-------------|
| 5 | 33.00  | 40.27 | 40.00 | 12    | 3-1445057-2            |             |
| 5 | 30.00  | 37.27 | 37.00 | 11    | 3-1445057-1            |             |
| 5 | 27.00  | 34.27 | 34.00 | 10    | 3-1445057-0            |             |
| 5 | 24.00  | 31.27 | 31.00 | 9     | 2-1445057-9            |             |
| 5 | 21.00  | 28.27 | 28.00 | 8     | 2-1445057-8            |             |
| 5 | 18.00  | 25.27 | 25.00 | 7     | 2-1445057-7            |             |
| 5 | 15.00  | 22.27 | 22.00 | 6     | 2-1445057-6            |             |
| 5 | 12.00  | 19.27 | 19.00 | 5     | 2-1445057-5            |             |
| 5 | 9.00   | 16.27 | 16.00 | 4     | 2-1445057-4            |             |
| 5 | 6.00   | 13.27 | 13.00 | 3     | 2-1445057-3            |             |
| 5 | 3.00   | 10.27 | 10.00 | 2     | 2-1445057-2            |             |
| 2 | 33.00  | 40.27 | 40.00 | 12    | <del>1-1445057-2</del> |             |
| 2 | 30.00  | 37.27 | 37.00 | 11    | <del>1-1445057-1</del> |             |
| 2 | 27.00  | 34.27 | 34.00 | 10    | <del>1-1445057-0</del> |             |
| 2 | 24.00  | 31.27 | 31.00 | 9     | <del>1-1445057-9</del> |             |
| 2 | 21.00  | 28.27 | 28.00 | 8     | <del>1-1445057-8</del> |             |
| 2 | 18.00  | 25.27 | 25.00 | 7     | <del>1-1445057-7</del> |             |
| 2 | 15.00  | 22.27 | 22.00 | 6     | <del>1-1445057-6</del> |             |
| 2 | 12.00  | 19.27 | 19.00 | 5     | <del>1-1445057-5</del> |             |
| 2 | 9.00   | 16.27 | 16.00 | 4     | <del>1-1445057-4</del> |             |
| 2 | 6.00   | 13.27 | 13.00 | 3     | <del>1-1445057-3</del> |             |
| 2 | 3.00   | 10.27 | 10.00 | 2     | <del>1-1445057-2</del> |             |
|   | FINISH | DIM Z | DIM V | DIM W | NO. OF POSN            | PART NUMBER |



PCB LAYOUT COMPONENT SIDE 4

THIS DRAWING IS A CONTROLLED DOCUMENT.

DWN J. ROOT 03-OCT-2000  
 CHK K. WHITAKER 13-MAR-2001  
 APVD K. WHITAKER 13-MAR-2001

TE Connectivity

RT ANGLE SURFACE MOUNT HEADER ASSY, TIN CONTACTS W/SURF MOUNT HOLDDOWNS, SINGLE ROW, MICRO MATE-N-LOK™

SIZE A2 CAGE CODE 00779 DRAWING NO. C-1445057

RESTRICTED TO

CUSTOMER DRAWING SCALE 5:1 SHEET 1 OF 1 REV C3

# Mouser Electronics

Authorized Distributor

Click to View Pricing, Inventory, Delivery & Lifecycle Information:

[TE Connectivity:](#)

[1445057-7](#)