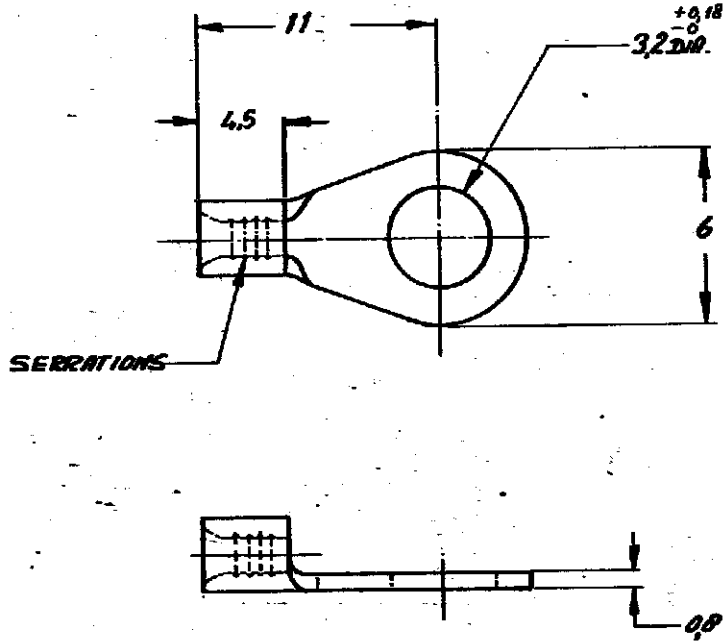


DRAWING MADE IN AMERICAN PROJECTION

NUMBER
C-165295-E



DO NOT SCALE PRINT

CUSTOMER COPY FOR REFERENCE ONLY

©1967 BY AMP-HOLLAND N.V. ALL RIGHTS RESERVED A-MP PRODUCTS COVERED BY PATENTS AND/OR PATENTS PENDING.



WIRE-RANGE 15-25 mm ²	BELL-RANGE —	TYPE - DIN - SOLISTRAND	AMP-HOLLAND N.V. HERTOGENBOSCH HOLLAND
SCALE —	LOC H	SIZE A	NO C-165295-E
DR R. BONDIT.	DATE 16-67	DR K. J. J. J.	DATE 17-67
CHEK	DATE	APP	NAME RINGTONGUE stud. M3

ORDER NO. 165295	MATERIAL COPPER	PLATING TINPLATED
---------------------	--------------------	----------------------

AMP 1382

Mouser Electronics

Authorized Distributor

Click to View Pricing, Inventory, Delivery & Lifecycle Information:

[TE Connectivity:](#)

[165295](#)