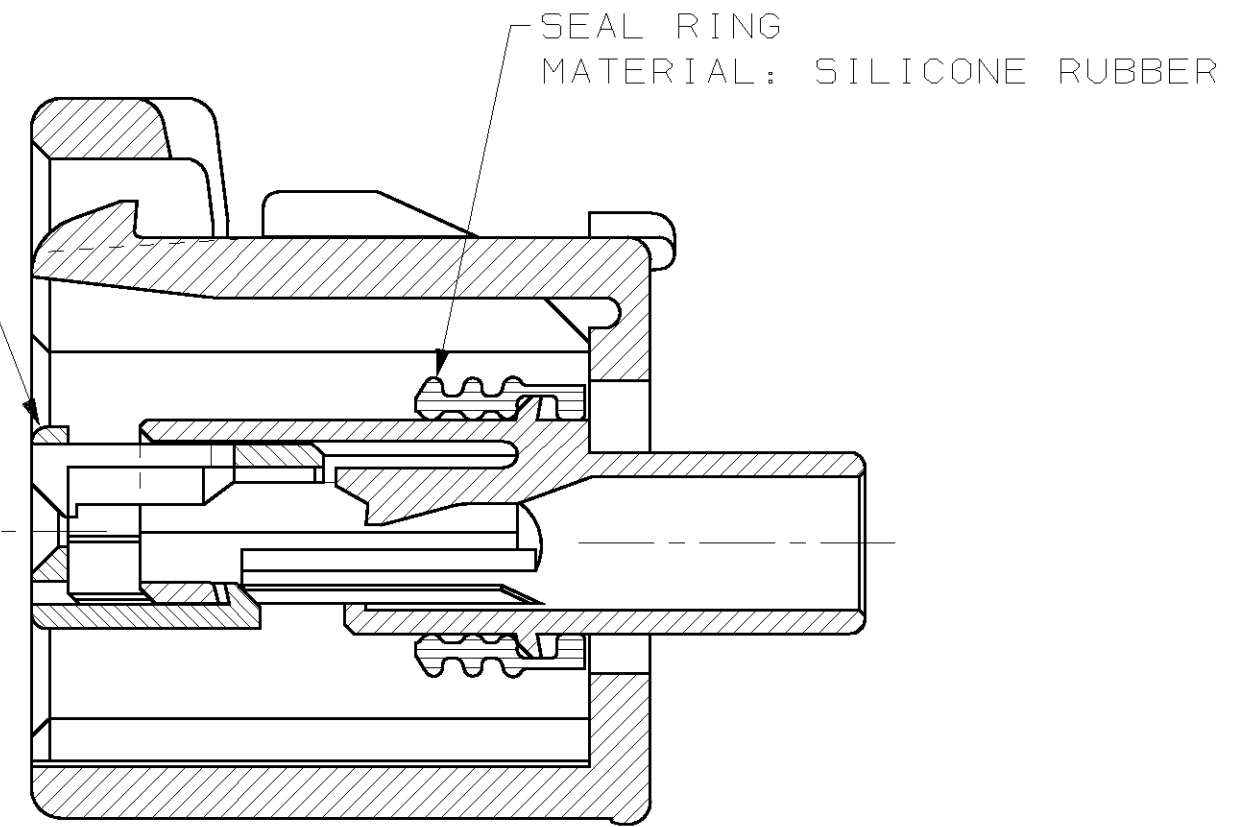
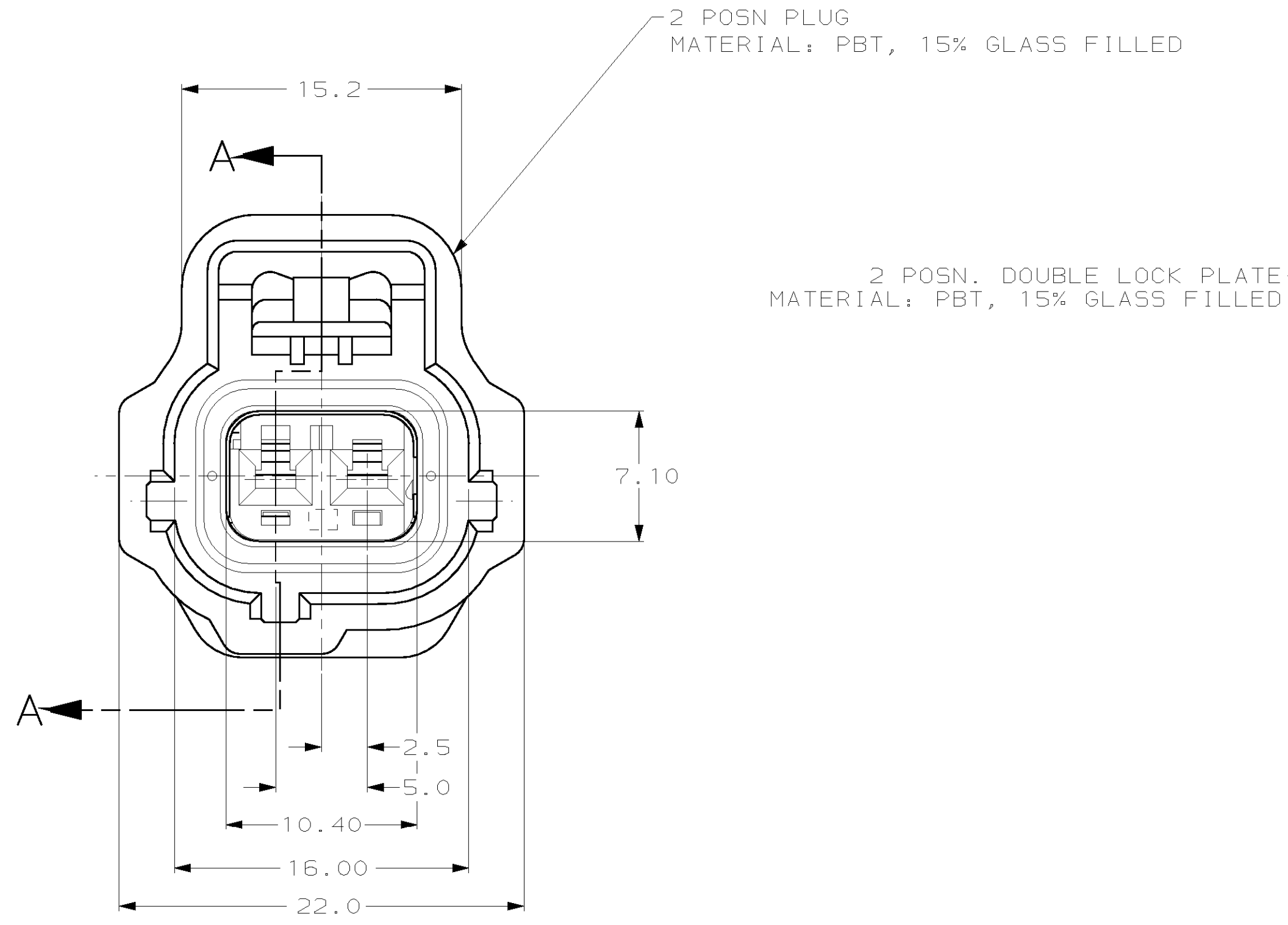
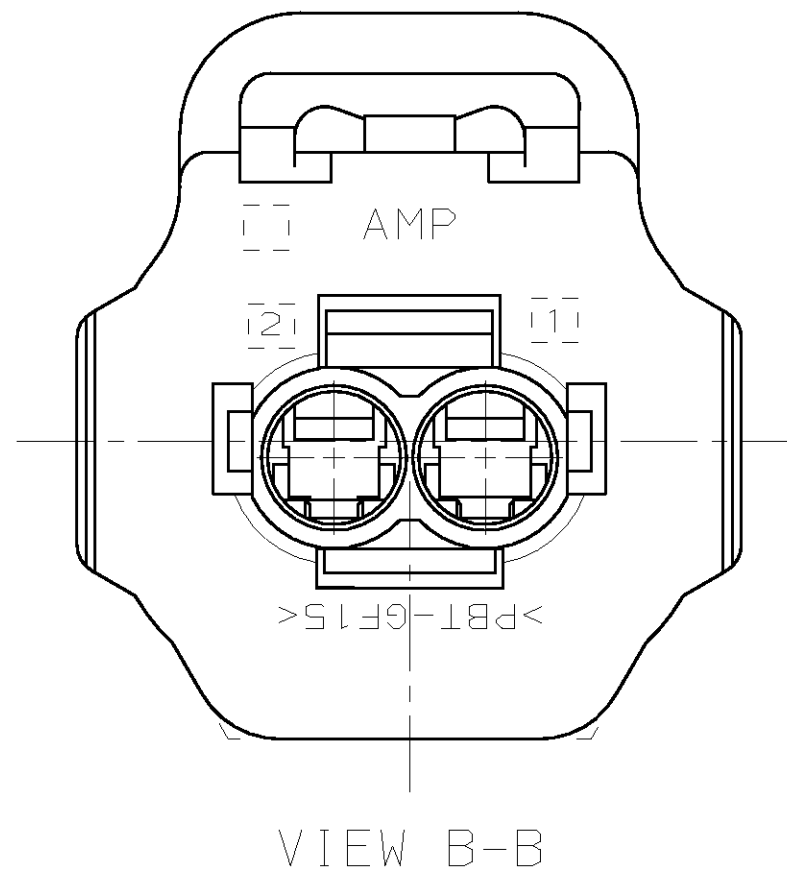
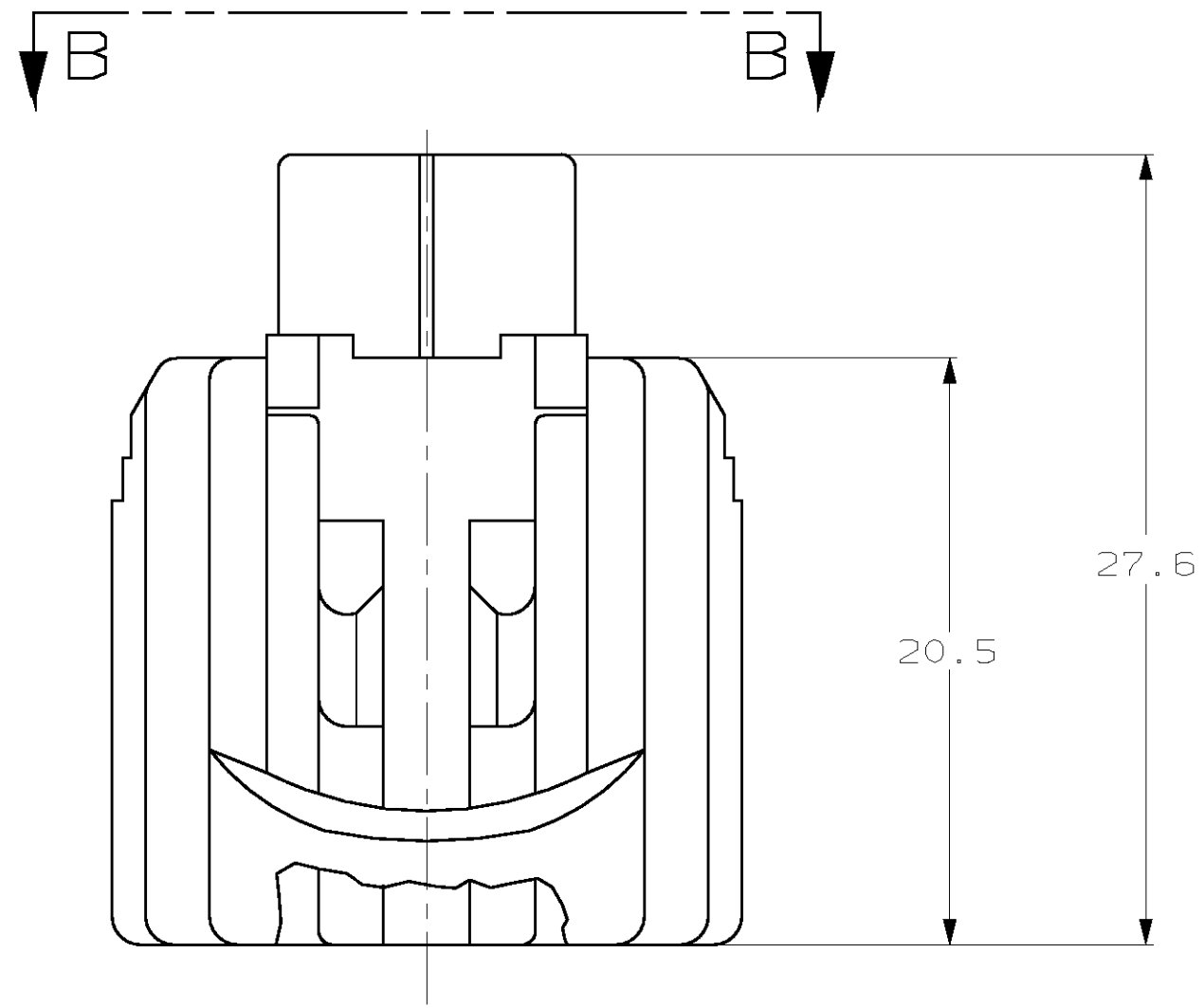


LOC		DIST		REVISIONS		
P	LTR	DESCRIPTION	DATE	DWN	APVD	
G	16	0	RELEASED, WAS 92-4072-2313-12	-	-	
		A	REV PER ECN 0720-0290-94	10/19/94	KDL JPK	
		B	REV PER ECN 0720-0446-94	12/16/94	KW JK	
		C	REV PER ECN 0K50-0003-96	08/13/96	KW JK	
		D	REV PER EC# 0K40-0140-00	7-10-00	PC GI	



SECTION A-A

KEYING TYPE M

THIS DRAWING IS A CONTROLLED DOCUMENT FOR AMP INCORPORATED. IT IS SUBJECT TO CHANGE AND THE CONTROLLING ENGINEERING ORGANIZATION SHOULD BE CONTACTED FOR THE LATEST REVISION.		DWN	KD LYTLE	3/28/94
DIMENSIONS:		CHK	JP KUNKLE	4/19/94
mm	TOLERANCES UNLESS OTHERWISE SPECIFIED:	APVD	-	-
	0 PLC ±-	PRODUCT SPEC	-	-
	1 PLC ±0.30	APPLICATION SPEC	-	-
	2 PLC ±0.15	WEIGHT	-	-
	3 PLC ±-	CUSTOMER DRAWING	-	-
	4 PLC ±-			
	ANGLES ±1°			
	FINISH -			

BLACK	184022-1
PLUG COLOR	PART NO
AMP	AMP Incorporated Harrisburg, PA 17105-3608
1 X 2 PLG ASY KEY M-C3	
SIZE	CAGE CODE
A2	00779
DRAWING NO	C=184022
SCALE	SHEET
4:1	1 OF 1
REV	D

184022

Mouser Electronics

Authorized Distributor

Click to View Pricing, Inventory, Delivery & Lifecycle Information:

[TE Connectivity:](#)

[184022-1](#)