

10 9 8 7 6 5 4 3 2 1

F

E

D

C

B

A

F

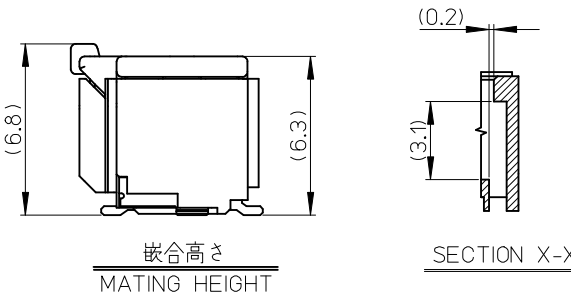
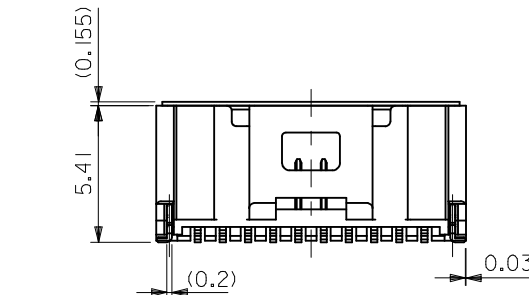
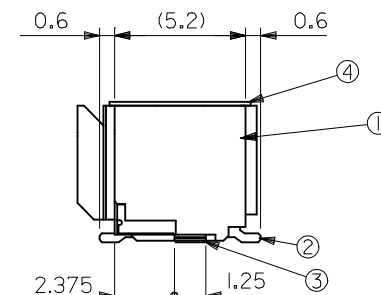
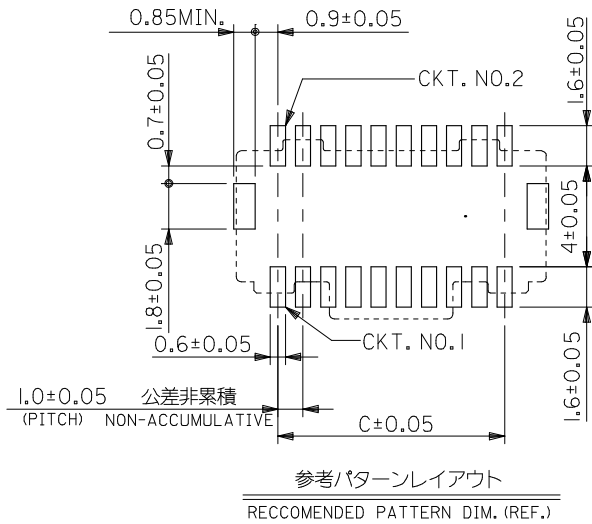
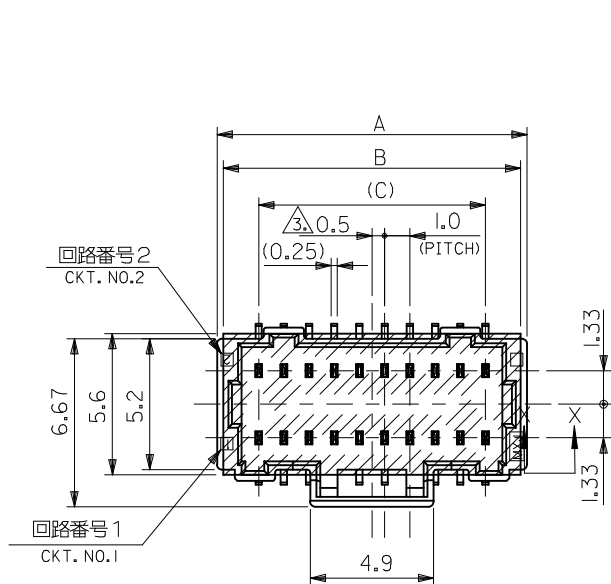
E

D

C

B

A



番号 NO.	部品 PART	材質 MATERIAL
①	ウエハー WAFER	耐熱ナイロン, UL94V-0, 色: シート2参照 HEAT RESISTANCE NYLON, UL94V-0, COLOR: SEE SHEET 2
②	ソルダーピン SOLDER PIN	りん青銅 PHOSPHOR BRONZE 金メッキ: 0.1 μmMIN. GOLD ニッケルメッキ (下地): 1.0 μmMIN. NICKEL (UNDER PLATING)
③	ネイル NAIL	りん青銅 PHOSPHOR BRONZE 錫メッキ: 1.0 μmMIN. TIN ニッケルメッキ (下地): 1.0 μmMIN. NICKEL (UNDER PLATING)
④	カバーテープ COVER TAPE	ポリイミドテープ POLYIMIDE TAPE

- NOTES.
- 嵌合相手: 501189-\*\*\*\*  
MATE WITH: 501189-\*\*\*\*
  - ソルダーピン及びネイル平坦度は、0.1MAX.  
SOLDER PIN AND NAIL COPLANARITY TO BE 0.1MAX.
  - 極数/2=偶数に適用  
APPLY FOR CKT SIZE/2=EVEN
  - ELV 及び RoHS 適合品  
ELV AND ROHS COMPLIANT.

無 NO	24	26.8	27.3	501190-5029	501190-5017	501190-5019	50
				19	22.3	501190-4027	501190-4017
有 YES	14	17.3	501190-3027	501190-3017	501190-3019	30	
	9	12.3	501190-2027	501190-2017	501190-2019	20	
	24	26.8	27.3	501190-5029	501190-5017	501190-5019	50
				501190-4017	501190-4019	40	
19	21.8	22.3	501190-405*	501190-407*		40	
			501190-3017	501190-3019	30		
14	16.8	17.3	501190-305*	501190-307*		30	
			501190-2017	501190-2019	20		
9	11.8	12.3	501190-205*	501190-207*		20	
カバーテープの有無 COVER TAPE	C	B	A	EMBOSSED PACKAGE オorder-番号 ORDER NO.	CONNECTOR SERIES NO.	CKT	

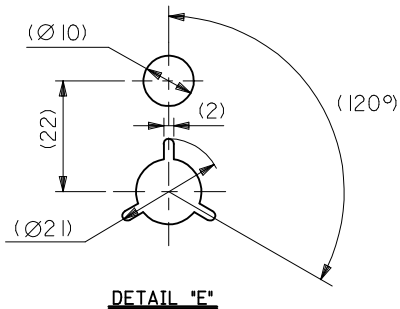
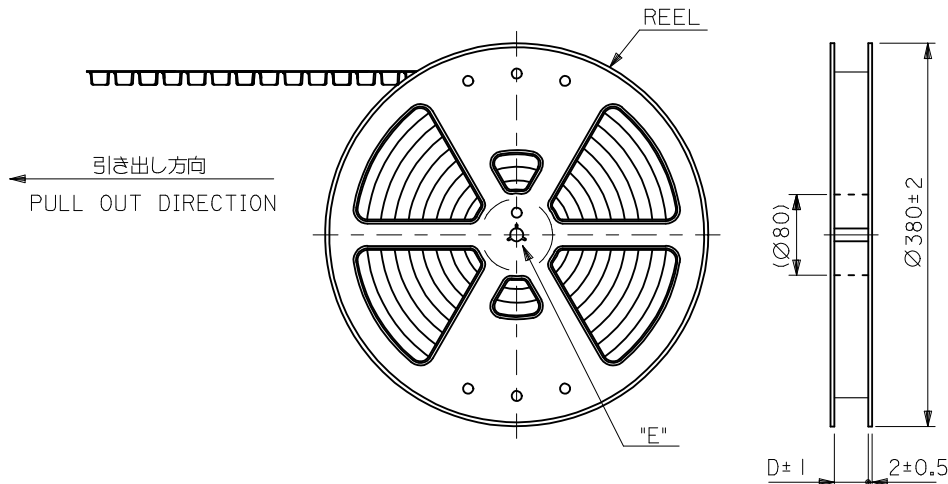
REVISED EC NO: J2014-1175 DRWNRHORI 2013/11/22 CHKD:KASAKAWA 2013/11/25 APPR:NIKI ITA 2014/01/28	GENERAL TOLERANCES (UNLESS SPECIFIED)		DIMENSION STYLE MM ONLY	SCALE 5:1	DESIGN UNITS METRIC	THIRD ANGLE PROJECTION
	10 UNDER	±0.2	DRAWN BY NYOSHIDA	DATE 2004/12/17	TITLE 1.0 WIRE TO BOARD CONN. WAFER ASS'Y (2-ROW S/T) -LEAD FREE-	
	10 OVER 30 UNDER	±0.25	CHECKED BY MYAGI	DATE 2004/12/17		
	30 OVER	±0.3	APPROVED BY ANODA	DATE 2004/12/17		
DESCRIPTION	ANGULAR ±3 °	DRAFT WHERE APPLICABLE MUST REMAIN WITHIN DIMENSIONS	MATERIAL NO. SEE CHART	DOCUMENT NO. SD-501190-003	SHEET NO. 1 OF 2	
REV			SIZE A3	THIS DRAWING CONTAINS INFORMATION THAT IS PROPRIETARY TO MOLEX INCORPORATED AND SHOULD NOT BE USED WITHOUT WRITTEN PERMISSION		

9 8 7 6 5 4 3 2

有 YES	緑 GREEN	青 BLUE	赤 RED	黒 BLACK	色 COLOR	
	---	---	---	---	---	50
501190-4056	501190-4054	501190-4052	501190-4051	40		
501190-3056	501190-3054	501190-3052	501190-3051	30		
501190-2056	501190-2054	501190-2052	501190-2051	20		
COVER TAPE	EMBOSSSED PACKAGE オーダー番号 ORDER NO.				CKT.	CONNECTOR SERIES NO.

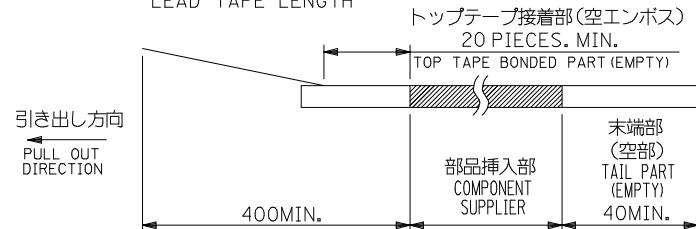
無 NO	自然色 NATURAL	色 COLOR	
	501190-5027	50	501190-**29
501190-4027	40		
501190-3027	30		
501190-2027	20		
COVER TAPE	EMBOSSSED PACKAGE オーダー番号 ORDER NO.	CKT.	CONNECTOR SERIES NO.
有 YES	自然色 NATURAL	色 COLOR	
	501190-5017	50	501190-**19
501190-4017	40		
501190-3017	30		
501190-2017	20		
COVER TAPE	EMBOSSSED PACKAGE オーダー番号 ORDER NO.	CKT.	CONNECTOR SERIES NO.

SEE SHEET 1 EC NO: J2014-1175 2013/11/22 DRWNR:HORI 2013/11/25 CHKD:KASAKAWA 2014/01/28 APPR:NUKITA	GENERAL TOLERANCES (UNLESS SPECIFIED)		DIMENSION STYLE MM ONLY		SCALE 5:1	DESIGN UNITS METRIC	THIRD ANGLE PROJECTION
	10 UNDER	±0.2	DRAWN BY NYOSHIDA	DATE 2004/12/17	TITLE 1.0 WIRE TO BOARD CONN. WAFER ASS'Y (2-ROW S/T) -LEAD FREE-		
	10 OVER 30 UNDER	±0.25	CHECKED BY MYAGI	DATE 2004/12/17			
	30 OVER	±0.3	APPROVED BY ANODA	DATE 2004/12/17	<b>molex</b> MATERIAL NO. SEE CHART DOCUMENT NO. SD-501190-003 SHEET NO. 2 OF 2		
	ANGULAR ±3 °		MATERIAL NO. SEE CHART				
DRAFT WHERE APPLICABLE MUST REMAIN WITHIN DIMENSIONS		THIS DRAWING CONTAINS INFORMATION THAT IS PROPRIETARY TO MOLEX INCORPORATED AND SHOULD NOT BE USED WITHOUT WRITTEN PERMISSION					

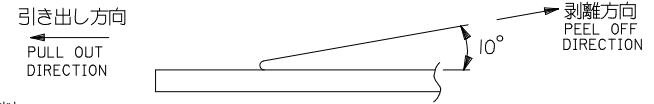


NOTES

- 製品詳細寸法については SD-501190-003 を参照ください。  
RE DETAILED DIMENSION, SEE SD-501190-003
- 梱包数量：1100個/リール  
NUMBER OF CONNECTORS：1100PIECES/REEL
- リードテープ長さ  
LEAD TAPE LENGTH



- トップテープの剥離強度：0.1~1.3N(10.2~132.5gf)(剥離方向は下図参照)  
PEELING OFF FORCE OF TOP TAPE (PEELING DIRECTION AS SHOWN IN FOLLOWING FIGURE)  
尚、本規格値は、出荷時に適用。(但し、輸送時に剥離が発生しないこと)  
THIS REQUIREMENT SHOULD BE APPLIED AT SHIPMENT.  
PEEL OFF SHOULD NOT BE ALLOWED, DURING TRANSPORTATION.

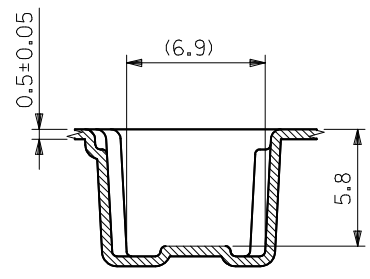
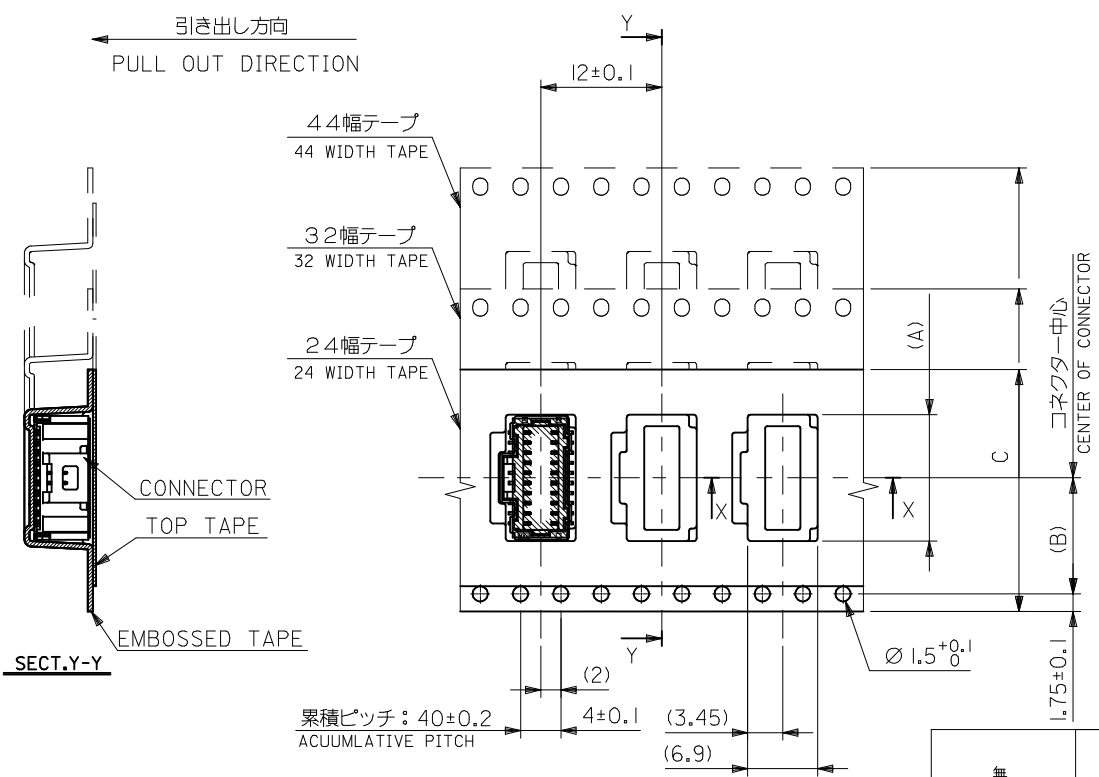


- 材料  
MATERIAL  
キャリアテープ：ポリプロピレン  
CARRIER TAPE: POLYPROPYLENE  
トップテープ：PET, PE, REF  
TOP TAPE  
リール：ポリスチレン (リサイクル材を含む)  
REEL: POLYSTYRENE (RECYCLE MATERIAL CONTAINED)

- 乾燥剤入り防湿梱包仕様になります。(501190-\*\*\*17, 501190-\*\*\*27以外)  
INCLUDING DESICCANT TAPING PACKAGE.  
(BESIDES 501190-\*\*\*17, 501190-\*\*\*27)

- ELV 及び RoHS 適合品  
ELV AND RoHS COMPLIANT.

REVISED EC NO: J2013-1460 DRWN: KWASHIO 2013/06/12 CHKD: KASAKAWA 2013/06/12 APPR: NUKITA 2013/06/12	DESCRIPTION D	GENERAL TOLERANCES (UNLESS SPECIFIED)		DIMENSION STYLE MM ONLY		SCALE ---	DESIGN UNITS METRIC	THIRD ANGLE PROJECTION		
		10 UNDER	±0.2	DRAWN BY NYOSHIDA	DATE 2004/12/17	TITLE 1.0 WIRE TO BOARD CONN. WAFER ASS'Y (2-ROW S/T) EMBTP PKG -LEAD FREE-				
		10 OVER 30 UNDER	±0.25	CHECKED BY MYAGI	DATE 2004/12/17					
		30 OVER	±0.3	APPROVED BY ANODA	DATE 2004/12/17					
ANGULAR ±3 °		DRAFT WHERE APPLICABLE MUST REMAIN WITHIN DIMENSIONS		MATERIAL NO. SEE SHEET 2		DOCUMENT NO. SD-501190-004		SHEET NO. 1 OF 3		
SIZE A3 THIS DRAWING CONTAINS INFORMATION THAT IS PROPRIETARY TO MOLEX INCORPORATED AND SHOULD NOT BE USED WITHOUT WRITTEN PERMISSION										



無 NO	45.5	44±0.3	20.2	27.6	501190-5029	501190-5027	50
				22.6	501190-4029	501190-4027	40
	33.5	32±0.3	14.2	17.6	501190-3029	501190-3027	30
有 YES	25.5	24±0.3	11.5	12.6	501190-2029	501190-2027	20
	45.5	44±0.3	20.2	27.6	501190-5019	501190-5017	50
				22.6	501190-4019	501190-4017	40
	33.5	32±0.3	14.2	17.6	501190-3019	501190-3017	30
					501190-307*	501190-305*	
	25.5	24±0.3	11.5	12.6	501190-2019	501190-2017	20
501190-207*					501190-205*		
吸着用カバーテープの有無 COVER TAPE	D	C	(B)	(A)	CONNECTOR SERIES NO.	EMBOSSED PACKAGE オーダー番号 ORDER NO.	CKTS.

REVISED EC NO: J2013-1460 DRWN: KWASHIO 2013/06/12 CHKD: KASAKAWA 2013/06/12 APPR: NUKITA 2013/06/12 D REV	GENERAL TOLERANCES (UNLESS SPECIFIED)		DIMENSION STYLE MM ONLY		SCALE ---	DESIGN UNITS METRIC	THIRD ANGLE PROJECTION
	10 UNDER	±0.2	DRAWN BY NYOSHIDA	DATE 2004/12/17	TITLE 1.0 WIRE TO BOARD CONN. WAFER ASS'Y (2-ROW S/T) EMBTP PKG -LEAD FREE-		
	10 OVER 30 UNDER	±0.25	CHECKED BY MYAGI	DATE 2004/12/17	<b>molex</b> DOCUMENT NO. SD-501190-004 SHEET NO. 2 OF 3		
	30 OVER	±0.3	APPROVED BY ANODA	DATE 2004/12/17			
ANGULAR ±3 °		MATERIAL NO.		SEE CHART			
DRAFT WHERE APPLICABLE MUST REMAIN WITHIN DIMENSIONS		SIZE A3		THIS DRAWING CONTAINS INFORMATION THAT IS PROPRIETARY TO MOLEX INCORPORATED AND SHOULD NOT BE USED WITHOUT WRITTEN PERMISSION			

有 YES	緑 GREEN	青 BLUE	赤 RED	黒 BLACK	色 COLOR	
	---	---	---	---	---	50
501190-4056	501190-4054	501190-4052	501190-4051	40		
501190-3056	501190-3054	501190-3052	501190-3051	30		
501190-2056	501190-2054	501190-2052	501190-2051	20		
COVER TAPE	EMBOSSED PACKAGE オーダー番号 ORDER NO.				CKT.	CONNECTOR SERIES NO.

無 NO	自然色 NATURAL	色 COLOR	
	501190-5027	50	501190-**29
	501190-4027	40	
	501190-3027	30	
501190-2027	20		
COVER TAPE	EMBOSSED PACKAGE オーダー番号 ORDER NO.	CKT.	CONNECTOR SERIES NO.
有 YES	自然色 NATURAL	色 COLOR	
	501190-5017	50	501190-**19
	501190-4017	40	
	501190-3017	30	
501190-2017	20		
COVER TAPE	EMBOSSED PACKAGE オーダー番号 ORDER NO.	CKT.	CONNECTOR SERIES NO.

SEE SHEET 1 EC NO: J2013-1460 DRWN: KWASHIO 2013/06/12 CHKD: KASAKAWA 2013/06/12 APPR: NUKITA 2013/06/12 D	GENERAL TOLERANCES (UNLESS SPECIFIED)		DIMENSION STYLE MM ONLY		SCALE ---	DESIGN UNITS METRIC	THIRD ANGLE PROJECTION
	10 UNDER	±0.2	DRAWN BY NYOSHIDA	DATE 2004/12/17	TITLE 1.0 WIRE TO BOARD CONN. WAFER ASS'Y (2-ROW S/T) EMBTP PKG -LEAD FREE- <b>molex</b>		
	10 OVER 30 UNDER	±0.25	CHECKED BY MYAGI	DATE 2004/12/17			
	30 OVER	±0.3	APPROVED BY ANODA	DATE 2004/12/17			
	ANGULAR ±3 °		MATERIAL NO.	DOCUMENT NO.	SHEET NO.		
DRAFT WHERE APPLICABLE MUST REMAIN WITHIN DIMENSIONS		SEE CHART		SD-501190-004		3 OF 3	
		SIZE A3	THIS DRAWING CONTAINS INFORMATION THAT IS PROPRIETARY TO MOLEX INCORPORATED AND SHOULD NOT BE USED WITHOUT WRITTEN PERMISSION				