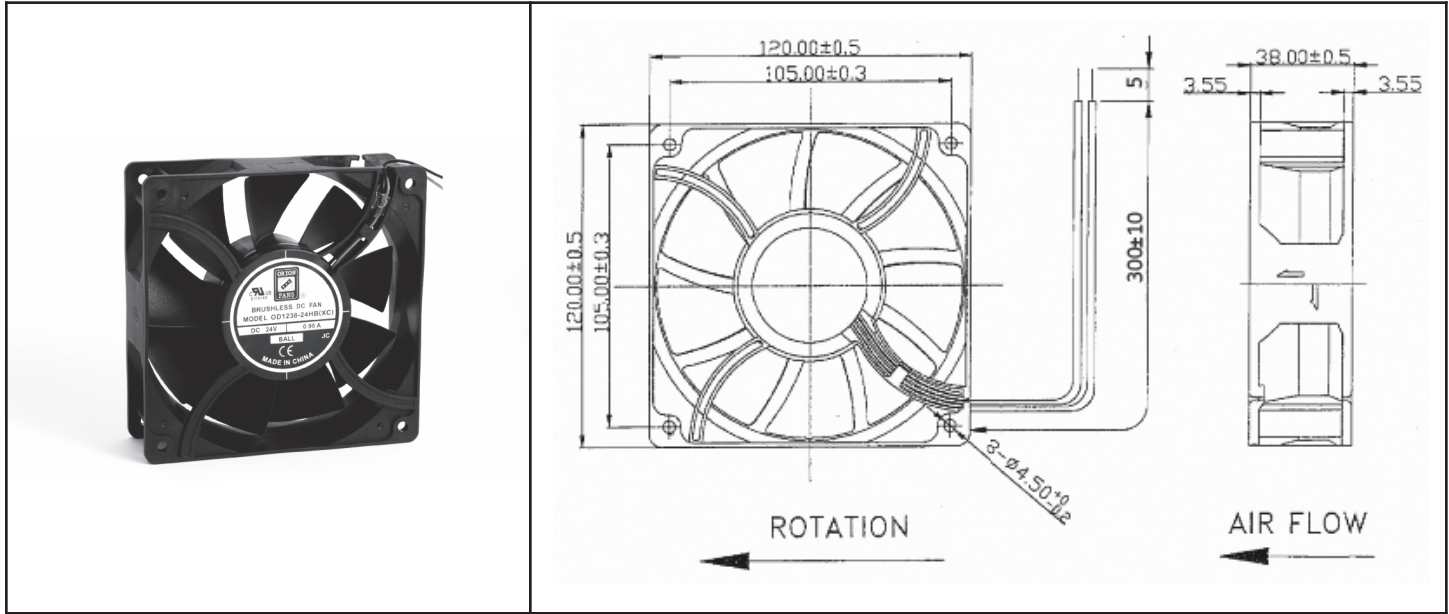


# OD1238 XC Series



High Performance DC Fan 12, 24, 48V  
120x38mm (4.7"x 1.5")



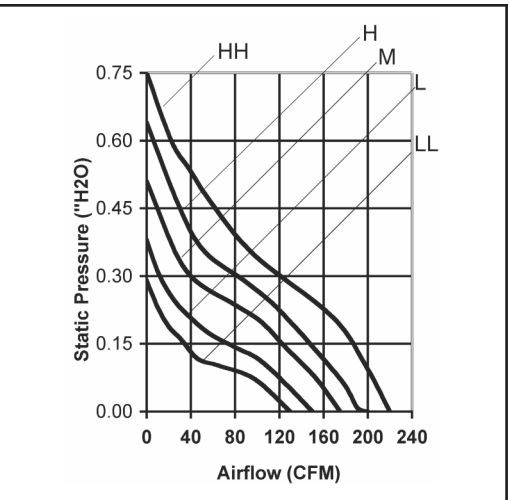
Frame & Impeller	PBT, UL94V-0 plastic
Connection	2x Lead wires 24AWG
Motor	Brushless DC, auto restart, polarity protected
Bearing System	Dual ball bearing
Insulation Resistance	10M ohm between leadwire and frame (500VDC)
Dielectric Strength	1 minute at 500 VAC, max leakage < 500 MicroAmp
Temperature Range	-10C ~ 70C
Storage Temperature	-40C ~ +80C

**Available Options:**  
Tachometer  
Alarm  
Thermal Speed Control  
PWM  
IP55

Life Expectancy (L10)  
65,000 hours (45C)

Weight: ~0.74 lbs

m1



Model Number	Speed (RPM)	Airflow (CFM)	Noise (dB)	Volts DC	Input Power (Watts)	Amps	Max. Static Pressure (\"H2O)
OD1238-12HB-XC	4300	200	61	12	23	1.95	0.64
OD1238-12MB-XC	3800	175	57	12	18	1.50	0.51
OD1238-12LB-XC	3200	150	52	12	10	0.87	0.38
OD1238-24HB-XC	4300	200	61	24	19	0.98	0.64
OD1238-24MB-XC	3800	175	57	24	16	0.68	0.51
OD1238-24LB-XC	3200	150	52	24	9	0.42	0.38
OD1238-24LLB-XC	2800	130	48	24	7	0.30	0.29
OD1238-48HHB-XC	4700	220	63	48	32	0.68	0.75
OD1238-48HB-XC	4300	200	61	48	25	0.52	0.64
OD1238-48MB-XC	3800	175	57	48	17	0.36	0.51
OD1238-48LB-XC	3200	150	52	48	11	0.22	0.38
OD1238-48LLB-XC	2800	130	48	48	9	0.18	0.29

# Mouser Electronics

Authorized Distributor

Click to View Pricing, Inventory, Delivery & Lifecycle Information:

## Orion Fans:

[OD1238-12LBXC](#) [OD1238-24LBXC](#) [OD1238-12HBXC](#) [OD1238-24HBXC](#) [OD1238-48HBXC](#) [OD1238-12MBXC](#)  
[OD1238-24LLBXC](#) [OD1238-24MBXC](#) [OD1238-48HHBXC](#) [OD1238-48LBXC](#) [OD1238-48LLBXC](#) [OD1238-48MBXC](#)