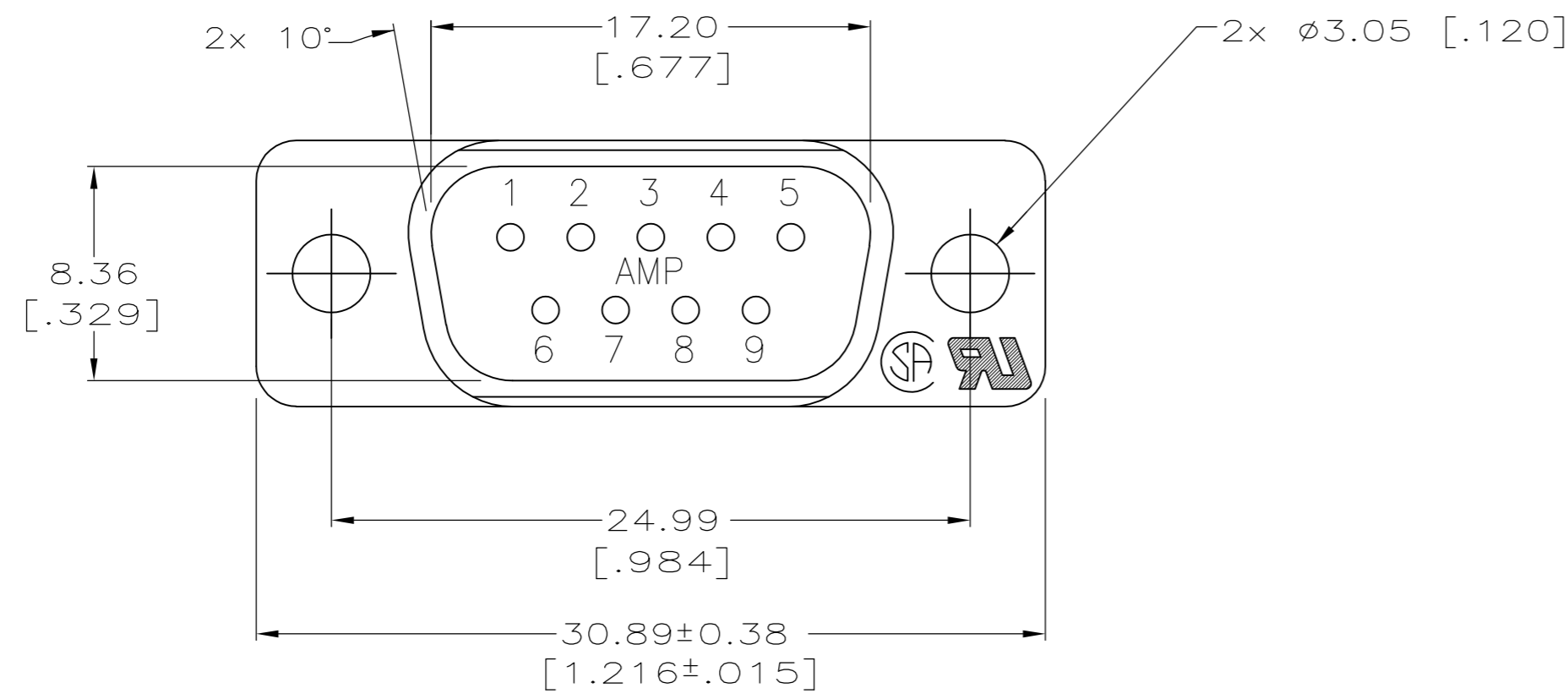
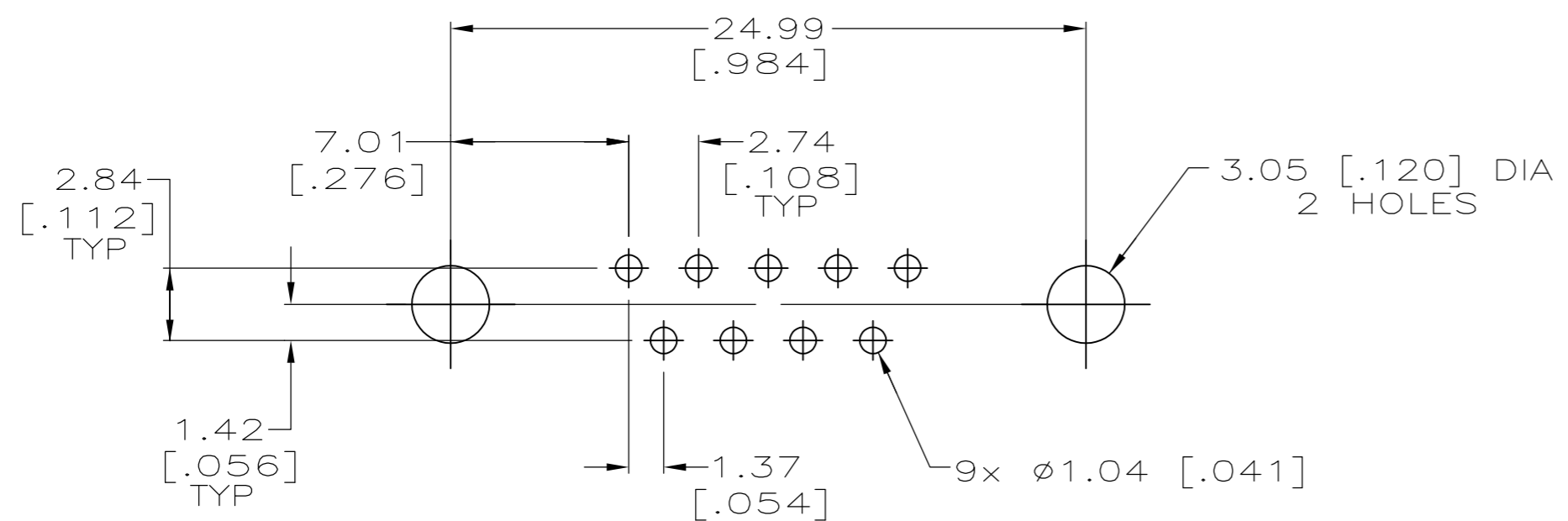
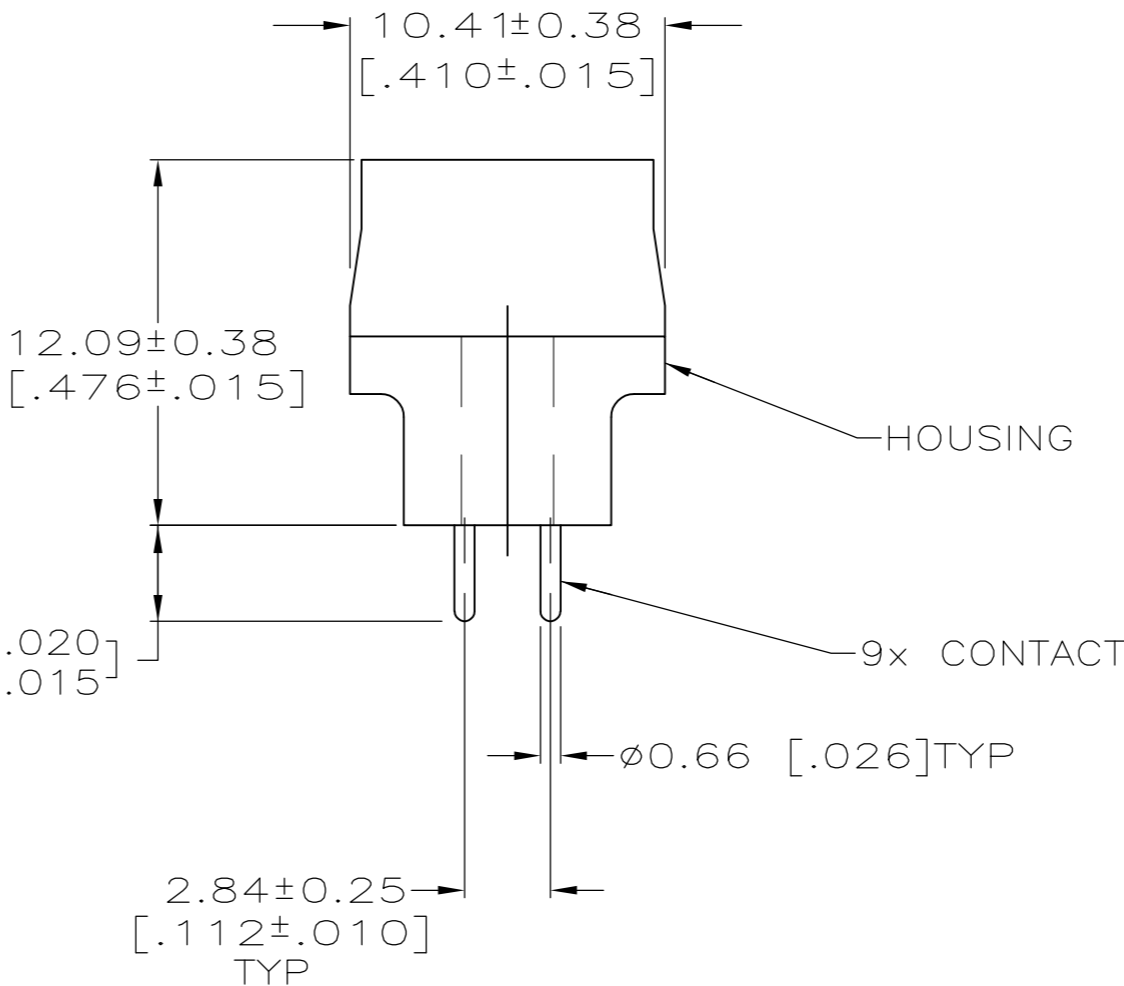
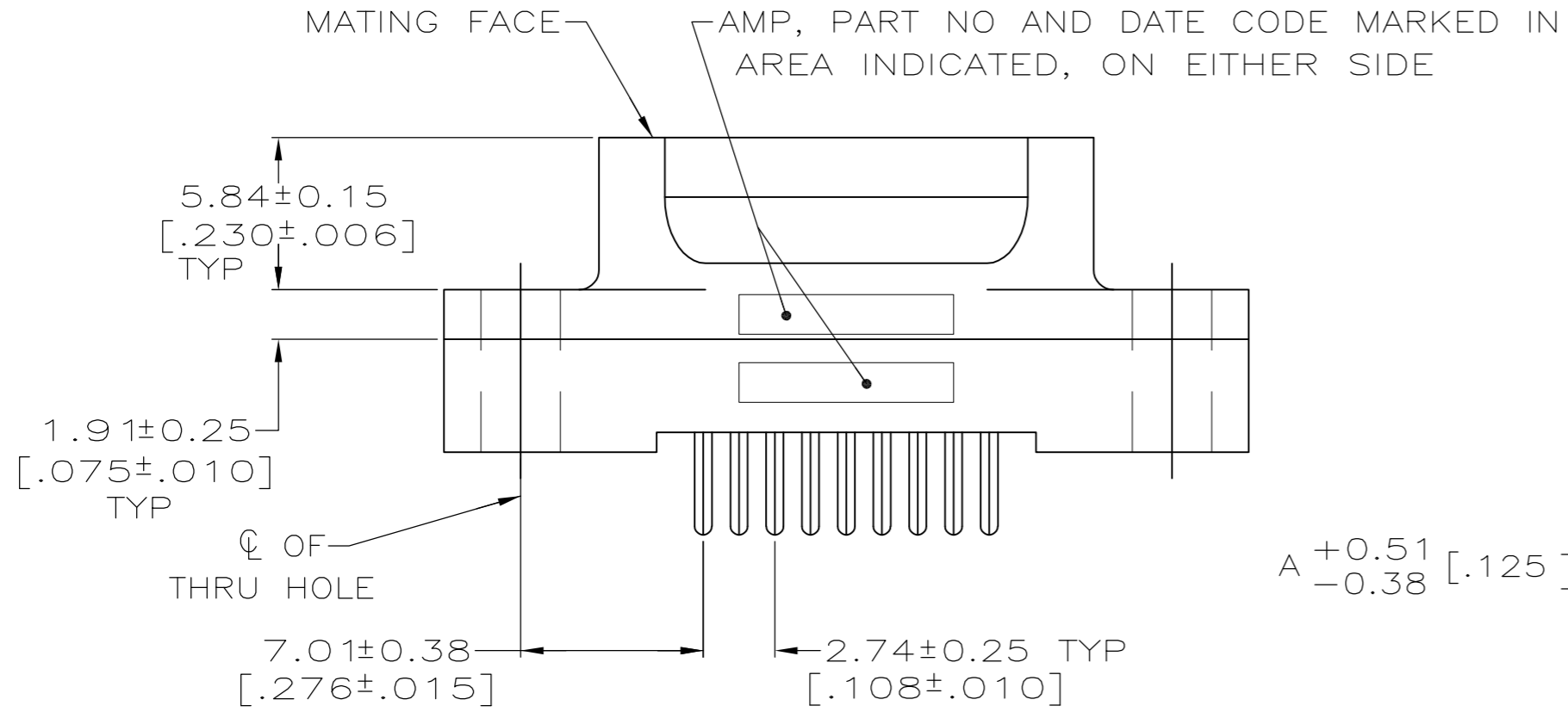


THIS DRAWING IS UNPUBLISHED. RELEASED FOR PUBLICATION
 © COPYRIGHT - By - ALL RIGHTS RESERVED.

LOC		DIST		REVISIONS			
P	LTR	DESCRIPTION		DATE	DWN	APVD	
GP	00	L1	REVISED PER ECO-11-004835	11MAR11	RK	HMR	



- ① HOUSING: BLACK POLYESTER, UL 94V-0 RATED. CONTACTS: BRASS PER MIL-C-50.
- ② GOLD PLATED PER MIL-G-45204, TIN PLATING PER MIL-T-10727,, BOTH OVER NICKEL PLATING PER QQ-N-290.
- ③ GOLD PLATED FOR LENGTH OF 3.81 [.150] MIN FROM MATING END, GOLD FLASH IN MATED AREA, 2.54µm [.000100] MIN TIN OR TIN-LEAD FOR A LENGTH OF DIMENSION A FROM OPPOSITE END, ALL OVER 1.27µm [.000050] MIN NICKEL.
- ④ GOLD PLATED FOR LENGTH OF 3.81 [.150] MIN FROM MATING END, 0.76µm [.000030] MIN GOLD IN MATED AREA, 2.54µm [.000100] MIN TIN OR TIN-LEAD FOR A LENGTH OF DIMENSION A FROM OPPOSITE END, ALL OVER 1.27µm [.000050] MIN NICKEL. OR GOLD FLASH OVER PALLADIUM NICKEL PLATED FOR LENGTH OF 3.81 [.150] MIN FROM MATING END, 0.76µm [.000030] MIN PALLADIUM NICKEL IN MATED AREA, 2.54µm [.000100] MIN TIN OR TIN-LEAD FOR A LENGTH OF DIMENSION A FROM OPPOSITE END, BOTH OVER 1.27µm [.000050] MIN NICKEL.
- ⑤ SEE RESTRICTED CUSTOMER DRAWING: 208006-6.



RECOMMENDED PC BOARD MOUNTING DIMENSIONS

OBSOLETE			
OBSOLETE	6.35 [.250]	③	208006-5
OBSOLETE	4.32 [.170]	③ ④	208006-4
OBSOLETE	4.32 [.170]	③	208006-3
	3.18 [.125]	③ ④	208006-2
	3.18 [.125]	③	208006-1
	A	CONTACT FINISH	PART NUMBER

THIS DRAWING IS A CONTROLLED DOCUMENT.		DWN J. POLIGNONE 01FEB07	TE Connectivity	
DIMENSIONS: mm [INCHES]		CHK E. BRIANT 01FEB07		
TOLERANCES UNLESS OTHERWISE SPECIFIED:		APVD E. BRIANT 01FEB07	NAME	
0 PLC ± -	1 PLC ± -	PRODUCT SPEC	PLUG ASSEMBLY, SIZE 1, 9 POSN, VERTICAL, AMPLIMITE HD-20	
2 PLC ± 0.13 [.005]	3 PLC ± -	APPLICATION SPEC	108-40025	
4 PLC ± -	ANGLES ± 2°	FINISH	SIZE A2	CAGE CODE 00779
MATERIAL ①	FINISH ②③④	WEIGHT -	DRAWING NO C=208006	RESTRICTED TO -
CUSTOMER DRAWING			SCALE 4:1	SHEET 1 OF 1

Mouser Electronics

Authorized Distributor

Click to View Pricing, Inventory, Delivery & Lifecycle Information:

[TE Connectivity:](#)

[208006-2](#)