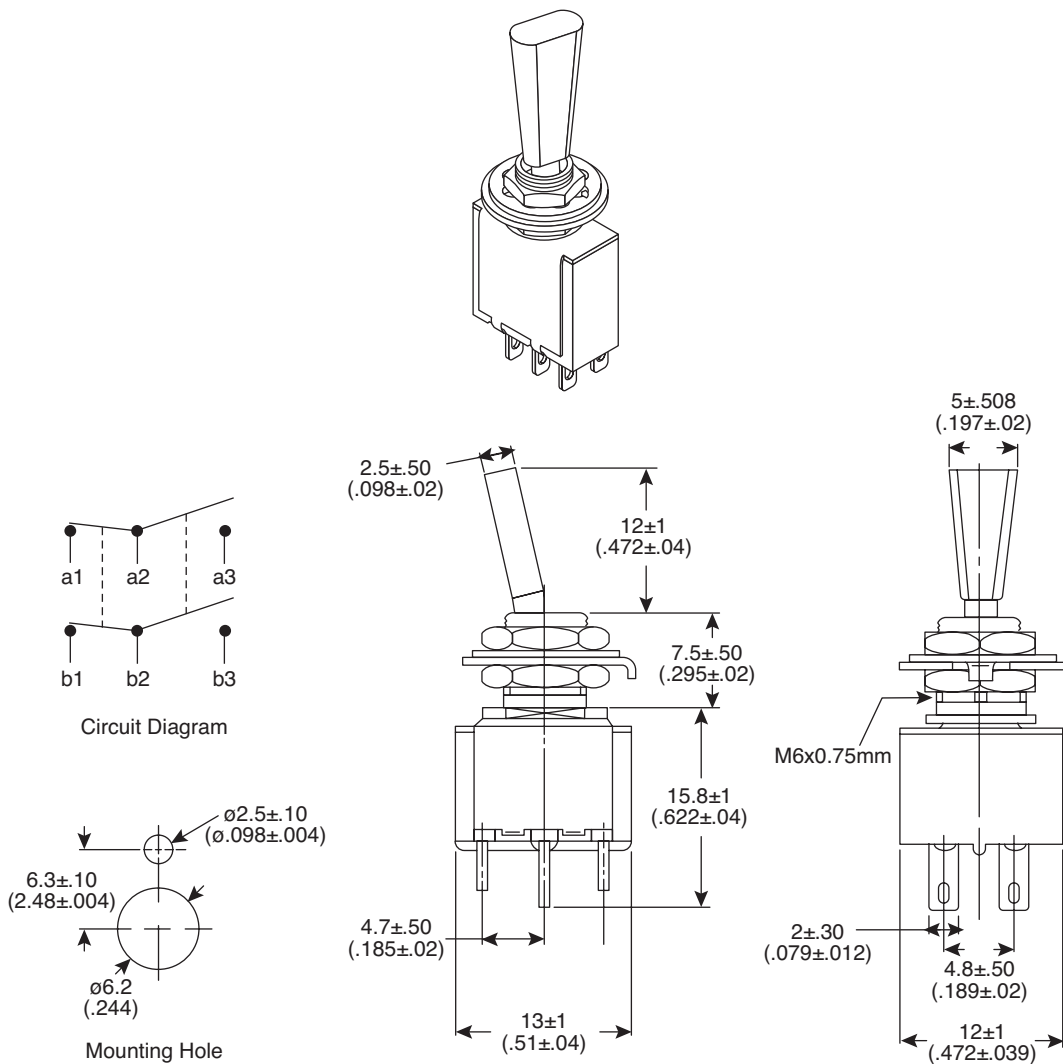


Dimensions: mm (in.)



Electrical Specifications:

- Rating: 6A/125VAC, 3A/250VAC
- Contact resistance: 50mΩ max
- Insulation resistance: 500VDC 100MΩ min
- Dielectric Strength: 1000VAC for 1 minute

Mechanical Specifications:

- Operating temperature: -20°C ~ +65°C
- Circuit: 6P DPDT on-on

Note:

- RoHS Compliant by Exemption

Miniature Toggle Switch
1055-TA2160B-EVX



Mouser Electronics

Authorized Distributor

Click to View Pricing, Inventory, Delivery & Lifecycle Information:

[Mountain Switch:](#)

[1055-TA2160B-EVX](#)