

MATERIAL :

Housing : Zinc alloy nickel plated
 Coupling Nut : Aluminium alloy, nickel plated
 Insert : PA 66 UL94 V0
 Coupling spring : Stainless steel
 O'ring : Nitril

PERFORMANCE CHARACTERISTICS :

Operating temperature : -40°C up to 105°C
 Insulation resistance : 5000 MΩ min
 Withstanding voltage: 2000Vrms
 (1500 Vrms for 102w2 and 103w3 layouts)
 Corrosion salt spray : 48 hours or 96 hours (spéc. 02)
 Durability : 500 matings and unmatings
 Sealing in mated conditions : IP67 / IP68 3 bars/30min as per IEC60529
 (depending on counterpart used)
 Sealing in mated conditions : IP69K as per DIN40050
 ROHS compliant

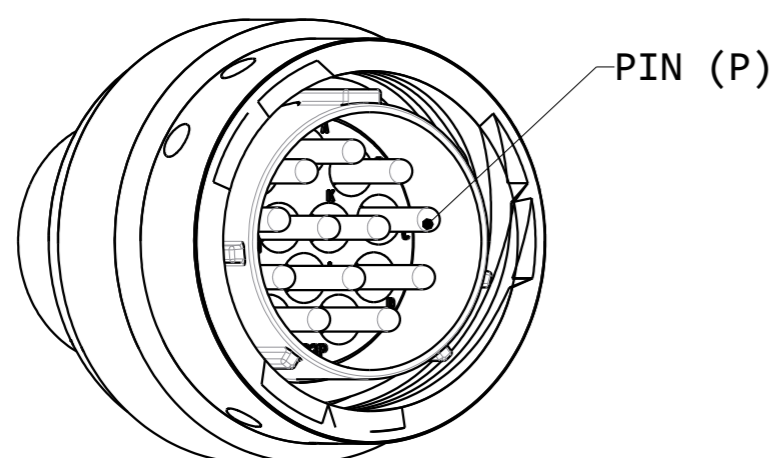
NOTES :

- 1- Contact identification and orientation of connector, refer to :
 UT0-CONTACT-L-C01 (Male)
 UT0-CONTACT-L-C02 (Female)
- 2- Contact to be ordered separately refer to : UT0 catalog
- 3- This drawing covers p/n termination : -H / -H6
- 4- Packaging: connector is individually packed in a plastic bag

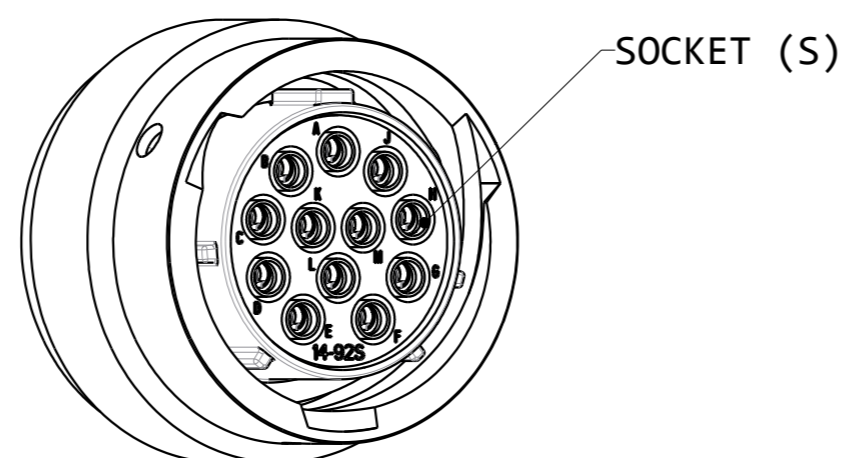
Part Number (Note 3)	Thread A for information	Ø B ±0.15	Ø C ±0.20	D Max		Ø E±0.20
				Male	Female	
UT06102W2--H-	9/16-24 UNEF Class 2A	20.00	21.80	35	33	10.15
UT06103W3--H-				35	27	
UT06103--H-				33	25.5	
UT06104--H-						
UT061044--H-	11/16-24 UNEF Class 2A	23.60	26.10	33	25.5	13.10
UT06124--H-						
UT06128--H-						
UT06142G1--H-	13/16-20 UNEF Class 2A	26.80	29.30	34	34	16.40
UT06147--H-				33	25.5	
UT06148--H-				35	33	
UT061412--H-						
UT061492--H-	15/16-20 UNEF Class 2A	30.00	32.45	33	25.5	19.50
UT061619--H-					21.65	
UT061823--H-					1" 3/16-18 UNEF Class 2A	36.55
UT062028--H-	27.99					
UT062030--H-	1" 5/16-18 UNEF Class 2A	39.50	42.00	33	27.5	31.16
UT062235--H-						
UT062238--H-						
UT062448--H-	1" 7/16-18 UNEF Class 2A	42.60	45.05			

UT06 10 2W2 P W H 02
Receptacle UT0 : <i>Type 6</i>
Shell size :
Insert arrangement : <i>See Note 1</i>
Contact : <i>P : Male</i> <i>S : Female</i>
Insert polarisation : <i>No letter : Standard version</i> <i>W, X, Y, Z : Different orientation</i>
Sealing version : <i>H : IP67 version</i>
Sealing version : <i>No letter : Standard version</i> <i>02 : Coupling nut is black anodized</i>

MALE CONNECTOR



FEMALE CONNECTOR



A	20/04/2015	_CREATION OF THE DRAWING _Cancel & replace UT06-C01	24021
ISS	DATE	Latest modification - by: COUTY L.	MOD N°
Designed by: COUTY L.		Date: 21/10/2013	CUSTOMER DRAWING
TITLE		PLUG UT0 PLUG CONNECTOR	
Scale	2/1	General linear Tolerances: ± 0.1	NPRDS / PROJECT UT0
SOURIAU		WWW.SOURIAU.COM	
This document is the property of SOURIAU. It must not be reproduced or communicated without permission.			
FORMAT	SOURIAU DRG N° C001-UT06-A		SHEET 1 / 1