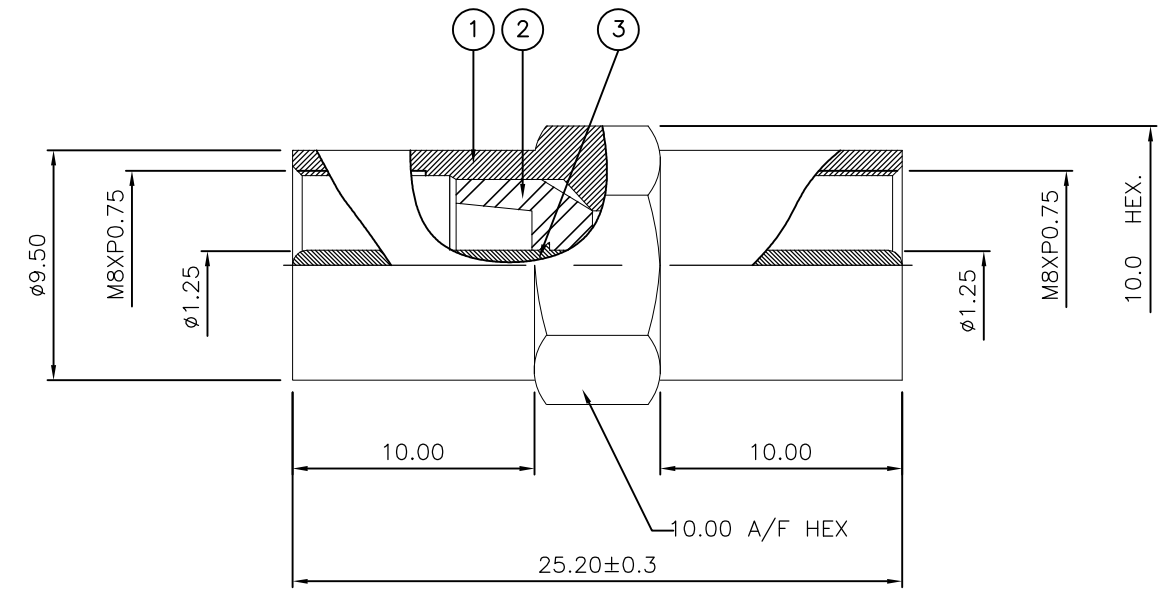


THIS DRAWING IS UNPUBLISHED. RELEASED FOR PUBLICATION FEB ,2006.
 © COPYRIGHT 2006 By - ALL RIGHTS RESERVED.

LOC	DIST	REVISIONS					
		P	LTR	DESCRIPTION	DATE	DWN	APVD
E	B		C	ECR-06-002568	02FEB06	JMS	FWK
			D	ECO-12-011078	12JUN12	TITAN	MARTIN

NOTES:

- 1 PACK IN ACCORDANCE WITH AMP SPEC 107-3275
- 2 100 TRAY PACK IN ACCORDANCE WITH AMP SPEC 107-3275
- 3 Au PLATING
- 4 Ni PLATING
- 5 ELECTRICAL CHARACTERISTICS
 FREQUENCY RANGE: DC - 2 GHz
 NOMINAL IMPEDANCE: 50 Ohm
 INSULATION RESISTANCE: 5000 MOhm
 WORKING VOLTAGE: 335 Volts RMS at Sea Level
 DIELECTRIC WITHSTAND VOLTAGE: 1000 Volts RMS Max
 CONTACT RESISTANCE:
 CENTRE CONTACT: 10.00 mOhm Max
 OUTER CONTACT: 5.00 mOhm Max
 VSWR @ 1GHz: 1.5 Max
 INSERTION LOSS : 0.50 dB Max
- 6 MECHANICAL CHARACTERISTICS
 COUPLING NUT RETENTION FORCE: 60 lbs MIN.
 DURABILITY: 500 Cycles Min
 RECOMMENDED COUPLING TORQUE: 18 in-lbs MAX.
- 7 ENVIRONMENTAL CHARACTERISTICS
 OPERATING TEMPERATURE: -55 to +125 DegC



QTY	DESCRIPTION	ITEM
1	BRASS CONTACT	3
2	PTFE INSULATION	2
1	BRASS BODY	1
6--0	1--0	MATERIAL DESCRIPTION ITEM
PARTS LIST		

THIS DRAWING IS A CONTROLLED DOCUMENT.		DWN J.SANDWELL 02FEB06	STE TE Connectivity	
DIMENSIONS: mm		CHK S.PARLOW 02FEB06		
TOLERANCES UNLESS OTHERWISE SPECIFIED:		APVD F.WHEELER-KING 02FEB06	NAME FME STRAIGHT ADAPTOR P-P 50 OHM	
0 PLC ± -		PRODUCT SPEC -	APPLICATION SPEC -	
1 PLC ± 0.2		WEIGHT -	SIZE A3	CAGE CODE 00779
2 PLC ± 0.1		DRAWING NO C-1337553		
3 PLC ± 0.05		RESTRICTED TO -		
4 PLC ± -		SCALE NTS		
ANGLES ± 5'		SHEET 1 OF 1		
MATERIAL SEE TABLE		REV D		
FINISH -		CUSTOMER DRAWING		

Mouser Electronics

Authorized Distributor

Click to View Pricing, Inventory, Delivery & Lifecycle Information:

[TE Connectivity:](#)

[1-1337553-0](#)