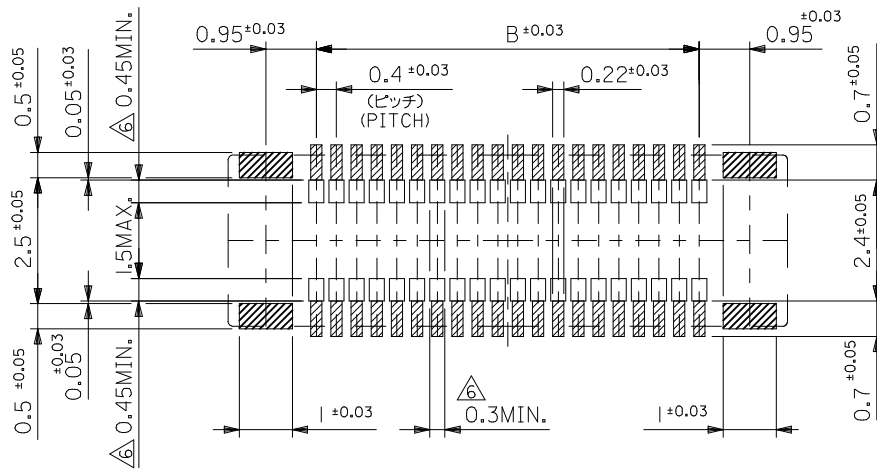


21.5	19.6	23.1	51338-1074	100
19.5	17.6	21.1	51338-0974	90
17.5	15.6	19.1	51338-0874	80
15.5	13.6	17.1	51338-0774	70
13.5	11.6	15.1	51338-0674	60
11.5	9.6	13.1	51338-0574	50
9.5	7.6	11.1	51338-0474	40
8.3	6.4	9.9	51338-3474	34
7.5	5.6	9.1	51338-0374	30
6.7	4.8	8.3	51338-2674	26
6.3	4.4	7.9	51338-2474	24
5.9	4.0	7.5	51338-2274	22
5.5	3.6	7.1	51338-0274	20
4.7	2.8	6.3	51338-1674	16
3.9	2.0	5.5	51338-9974	12
C	B	A	EMBOSSED TAPE PKG.	CKT.
			ORDER No. オーダー番号	
CONNECTOR SERIES No.			51338-***9	

REVISED EC NO: J2013-0254 DRWN: KTOYODA 2012/08/28 CHKD: TASAKAWA 2012/08/28 APPR: TASAKAWA 2012/08/31	GENERAL TOLERANCES (UNLESS SPECIFIED)		DIMENSION STYLE MM ONLY		SCALE ---	DESIGN UNITS METRIC	THIRD ANGLE PROJECTION	
	10 UNDER ± ---	10 OVER 30 UNDER ± ---	30 OVER ± ---	DRAWN BY M. NINOMIYA	DATE 2004/03/17	TITLE 0.4 B-TO-B REC ASSY HGT=1.5 J-BEND TAIL -LEAD FREE-		
	ANGULAR ± --- °		DRAFT WHERE APPLICABLE MUST REMAIN WITHIN DIMENSIONS		CHECKED BY K. TOJO	DATE 2004/03/17	molex	
			SEE CHART		APPROVED BY M. SASAO	DATE 2004/03/17	DOCUMENT NO. SD-51338-003	SHEET NO. 1 OF 2
				MATERIAL NO.	THIS DRAWING CONTAINS INFORMATION THAT IS PROPRIETARY TO MOLEX INCORPORATED AND SHOULD NOT BE USED WITHOUT WRITTEN PERMISSION			



参考基板レイアウト (マウント面)
P.C.BOARD PATTERN DIMENSION (REFERENCE)
(MOUNTING AREA)

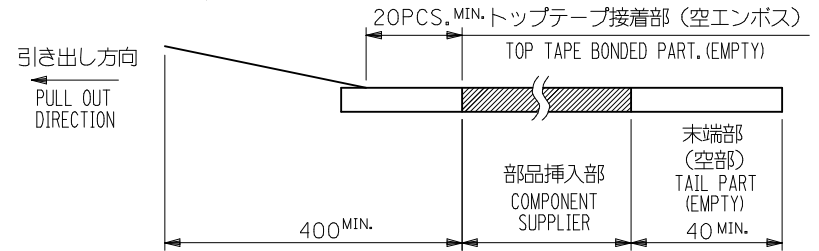
注記 NOTES:

1. 使用材料 MATERIAL
ハウジング: 液晶ポリマー (LCP) ガラス充填 UL94V-0 (黒)
HOUSING: LIQUID CRYSTAL POLYMER (GLASS FILLED)
UL94V-0 (COLOR: BLACK)
ターミナル: リン青銅 (t=0.15)
TERMINAL: PHOSPHOR BRONZE (t=0.15)
金具: リン青銅 (t=0.15)
FITTING NAIL: PHOSPHOR BRONZE (t=0.15)
2. メッキ仕様 PLATING
ターミナル TERMINAL
金メッキ 0.2マイクロメートル以上 (コンタクト部)
GOLD 0.2MICROMETER MINIMUM (CONTACT AREA)
金メッキ 0.4マイクロメートル以下 (テール部)
GOLD 0.4MICROMETER MAXIMUM (TAIL AREA)
下地メッキ: ニッケルメッキ 1.5マイクロメートル以上
UNDER PLATING: NICKEL 1.5MICROMETER MINIMUM
*コンタクト部とテール部はニッケルメッキによって分断されている金メッキです。
DIVIDE INTO PARTS THE GOLD PLATING OF THE CONTACT AND THE TAIL PART BY THE NICKEL PLATING.
金具 FITTING NAIL
錫メッキ 1.0 マイクロメートル以上
TIN PLATING 1.0 MICROMETER MINIMUM
下地メッキ: ニッケルメッキ 1.0 マイクロメートル以上
UNDER PLATING: NICKEL 1.0 MICROMETER MINIMUM
3. (全極数/2) = 偶数の場合に適用。
APPLY FOR (CIRCUIT/2)=EVEN.
4. 嵌合相手: 55909シリーズ
MATE WITH: 55909 SERIES.
5. テール平坦度は、0.08以下
テール及び金具の平坦度は、0.1以下
TAIL COPLANARITY TO BE 0.08MAXIMUM
TAIL AND FITTING NAIL COPLANARITY TO BE 0.1MAXIMUM
6. 同一回路以外のパターン書込み禁止範囲を示す。
NO PRINT CIRCUIT AREA OTHER THAN THE SAME CIRCUIT.
7. 本製品は 51338-***3 の鉛フリー品である。
THIS PRODUCT IS LEAD FREE OF 51338-***3.

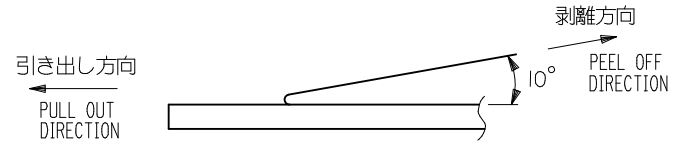
SEE SHEET 1 OF 2	EC NO: J2013-0254 DRWN: KTOYODA 2012/08/28 CHKD: TASAKAWA 2012/08/28 APPR: TASAKAWA 2012/08/31	DESCRIPTION REV	GENERAL TOLERANCES (UNLESS SPECIFIED)		DIMENSION STYLE MM ONLY		51338-***9		MODEL NO.	
					DRAWN BY DATE		SCALE	DESIGN UNITS	THIRD ANGLE PROJECTION	
			10 UNDER ±---		M. NINOMIYA 2004/03/17		---	METRIC	0.4 B-TO-B REC ASSY HGT=1.5 J-BEND TAIL -LEAD FREE-	
			10 OVER 30 UNDER ±---		K. TOJO 2004/03/17		TITLE			
30 OVER ±---		APPROVED BY DATE		SEE SHEET 1		SD-51338-003		SHEET NO. 2 OF 2		
ANGULAR ±---°		M. SASAO 2004/03/17								
DRAFT WHERE APPLICABLE MUST REMAIN WITHIN DIMENSIONS			MATERIAL NO.		SIZE		THIS DRAWING CONTAINS INFORMATION THAT IS PROPRIETARY TO MOLEX INCORPORATED AND SHOULD NOT BE USED WITHOUT WRITTEN PERMISSION			
					A3					

NOTES

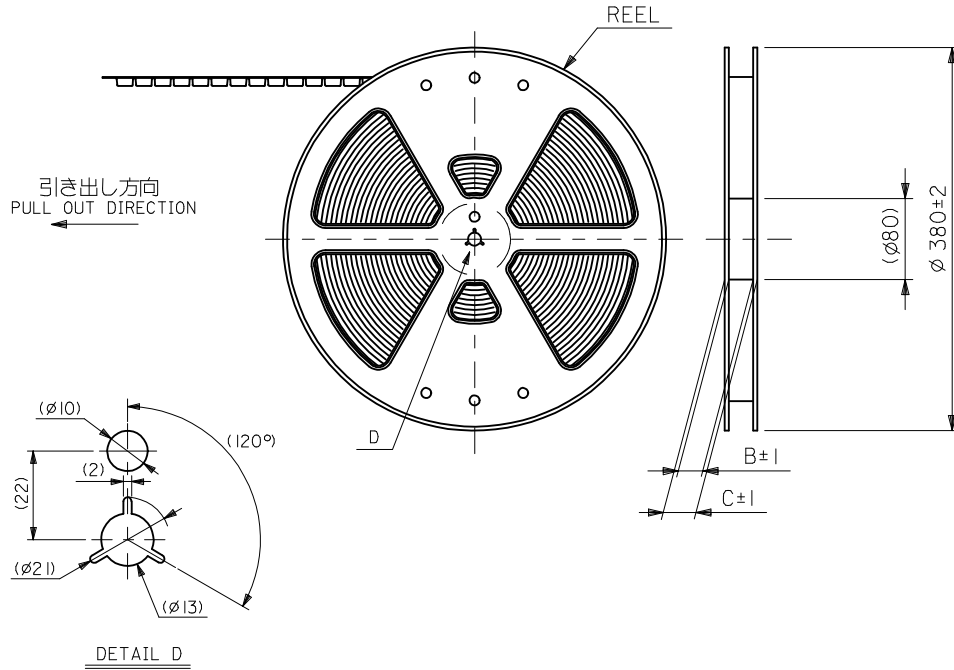
- 製品詳細寸法については製品単体図面を参照下さい。
RE DETAILED DIMENSION, SEE PRODUCT DRAWING.
- 梱包数量：2500個/リール
NUMBER OF CONNECTORS : 2500PCS/REEL
- リードテープ長さ LEAD TAPE LENGTH



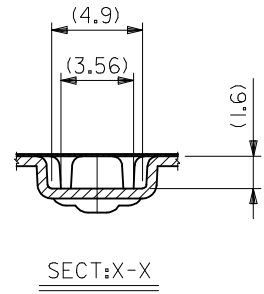
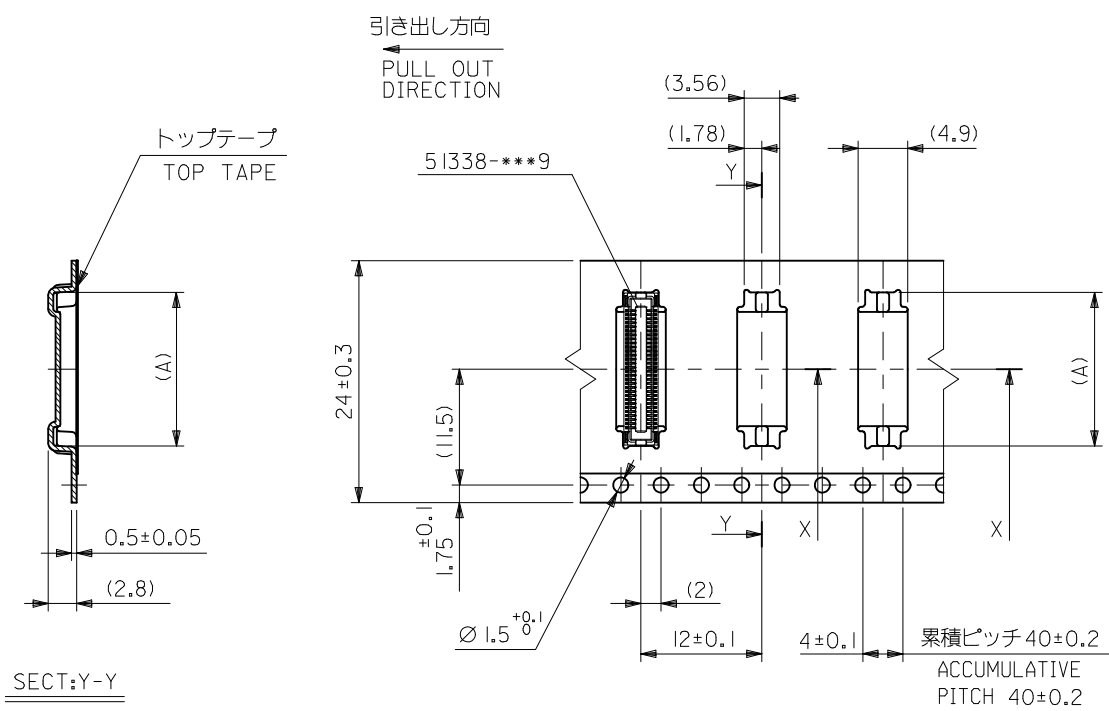
- トップテープの剥離強度： 0.1N ~ 1.3N (10gf ~ 130gf)
(剥離方向は下図参照)
尚、本規格値は出荷時に適用。(但し、輸送時に剥離が発生しないこと。)
PEELING OFF FORCE OF TOP TAPE : 0.1N ~ 1.3N (10gf ~ 130gf)
(PEELING DIRECTION AS SHOWN IN FOLLOWING FIG.)
THIS REQUIREMENT SHOULD BE APPLIED AT SHIPMENT.
PEEL OFF SHOULD NOT BE ALLOWED, DURING TRANSPORTATION.



- 材料
キャリアテープ (CARRIER TAPE) : ポリプロピレン (POLYPROPYLENE)
トップテープ (TOPTAPE) : PET, PE, PEF
リール (REEL) : ポリスチレン (PS) <リサイクル材を含む>
POLYSTYRENE (PS) <RECYCLE MATERIAL CONTAINED>
- 本製品は 51338-****4 の鉛フリー品である。
THIS PRODUCT IS LEAD FREE OF 51338-****4.
- ELV 及び RoHS 適合品。
ELV AND RoHS COMPLIANT.



REVISED EC NO: J2013-0254 DRWN:KTOYODA 2012/08/28 CHKD:TASAKAWA 2012/08/28 APPR:TASAKAWA 2012/08/31	DESCRIPTION REV	GENERAL TOLERANCES (UNLESS SPECIFIED)		DIMENSION STYLE MM ONLY		SCALE ---	DESIGN UNITS METRIC	THIRD ANGLE PROJECTION		
		10 UNDER	±---	DRAWN BY M. NINOMI	DATE 2004/03/17	TITLE 0.4 B-TO-B CONN. REC ASSY(HGT=1.5) EMBSTP PKG				
		10 OVER 30 UNDER	±---	CHECKED BY K. TOJO	DATE 2004/03/17	molex SD-51338-004				
		30 OVER	±---	APPROVED BY M. SASAO	DATE 2004/03/17					
ANGULAR ±---°		DRAFT WHERE APPLICABLE MUST REMAIN WITHIN DIMENSIONS		MATERIAL NO. SEE CHART		THIS DRAWING CONTAINS INFORMATION THAT IS PROPRIETARY TO MOLEX INCORPORATED AND SHOULD NOT BE USED WITHOUT WRITTEN PERMISSION				

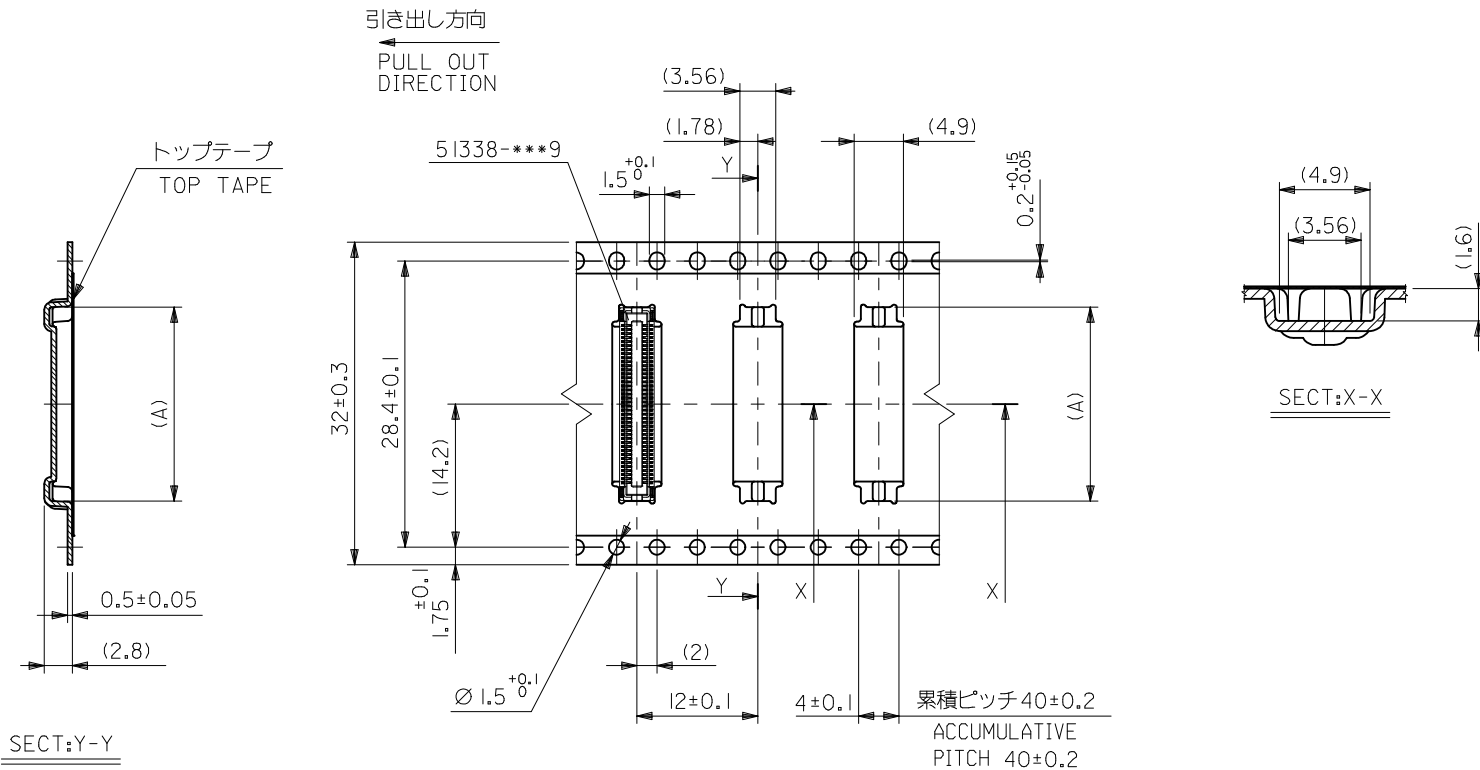


SECT:Y-Y

24	29.4	25.4	15.26	51338-0674	60
			13.26	51338-0574	50
			11.26	51338-0474	40
			10.06	51338-3474	34
			9.26	51338-0374	30
			8.46	51338-2674	26
			8.06	51338-2474	24
			7.66	51338-2274	22
			7.26	51338-0274	20
			6.46	51338-1674	16
5.66	51338-9974	12			
キャリアテープ幅 CARRIER TAPE WIDTH			C	B	(A)
			EMBOSSED PACKAGE		CKT.
			ORDER NO. オ-ダ-番号		

CONNECTOR SERIES No. 51338-***9

SEE SHEET 1 OF 4 EC NO. J2013-0254 DRWNG: TOYODA 2012/08/28 CHKD: TASAKAWA 2012/08/28 APPR: TASAKAWA 2012/08/31	GENERAL TOLERANCES (UNLESS SPECIFIED)		DIMENSION STYLE MM ONLY		SCALE ---		DESIGN UNITS METRIC		THIRD ANGLE PROJECTION		
	10 UNDER	±---	DRAWN BY M. NINOMI		DATE 2004/03/17		TITLE				
	10 OVER 30 UNDER	±---	CHECKED BY K. TOJO		DATE 2004/03/17		0.4 B-T0-B CONN. REC ASSY(HGT=1.5) EMBSTP PKG				
	30 OVER	±---	APPROVED BY M. SASAO		DATE 2004/03/17						
ANGULAR ±---°		DRAFT WHERE APPLICABLE MUST REMAIN WITHIN DIMENSIONS		SEE SHEET		DOCUMENT NO. SD-51338-004		SHEET NO. 2 OF 4			
				THIS DRAWING CONTAINS INFORMATION THAT IS PROPRIETARY TO MOLEX INCORPORATED AND SHOULD NOT BE USED WITHOUT WRITTEN PERMISSION							



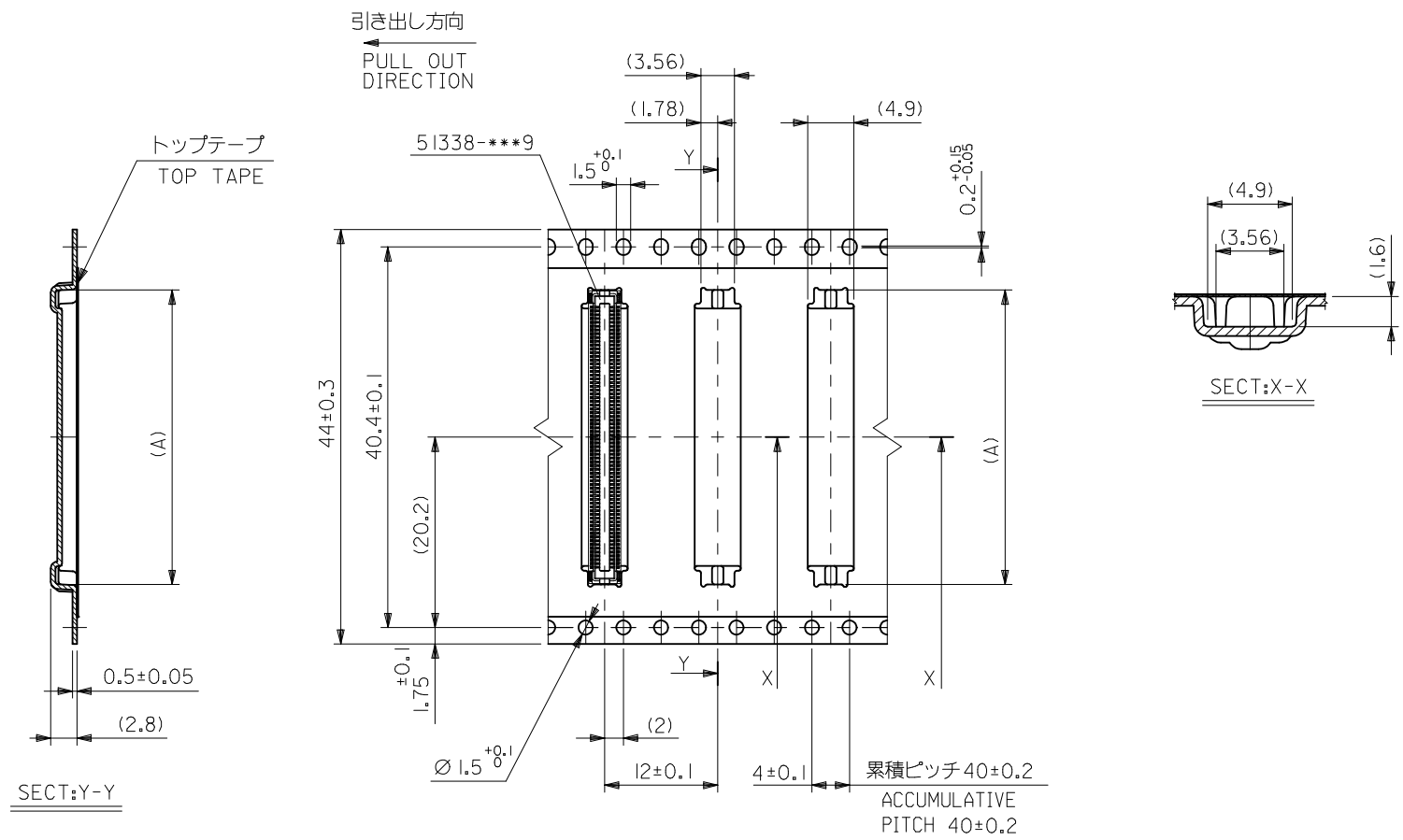
32mm幅キャリアテープ
32mm WIDTH CARRIER TAPE

32	37.4	33.4	21.26	51338-0974	90
			19.26	51338-0874	80
			17.26	51338-0774	70
キャリアテープ幅 CARRIER TAPE WIDTH		C	B	(A)	EMBOSSED PACKAGE ORDER NO. オーダー番号

CONNECTOR SERIES No. 51338-***9

SEE SHEET 1 OF 4 EC NO: J2013-0254 DRW:KTOYODA 2012/08/29 CHK:D:TASAKAWA 2012/08/29 APPR:TASAKAWA 2012/08/31	GENERAL TOLERANCES (UNLESS SPECIFIED)	DIMENSION STYLE MM ONLY	SCALE ---	DESIGN UNITS METRIC	THIRD ANGLE PROJECTION	
	10 UNDER ± --- 10 OVER 30 UNDER ± --- 30 OVER ± --- ANGULAR ± --- °	DRAWN BY M. NINOMI	DATE 2004/03/17	TITLE 0.4 B-TO-B CONN. REC ASSY(HGT=1.5) EMBSTP PKG		
	DRAFT WHERE APPLICABLE MUST REMAIN WITHIN DIMENSIONS	CHECKED BY K. TOJO	DATE 2004/03/17	molex DOCUMENT NO. SD-51338-004 SHEET NO. 3 OF 4		
		APPROVED BY M. SASAO	DATE 2004/03/17			

SIZE A3 THIS DRAWING CONTAINS INFORMATION THAT IS PROPRIETARY TO MOLEX INCORPORATED AND SHOULD NOT BE USED WITHOUT WRITTEN PERMISSION



4.4mm幅キャリアテープ
44mm WIDTH CARRIER TAPE

44	49.4	45.4	23.26	51338-1074	100
キャリアテープ幅 CARRIER TAPE WIDTH	C	B	(A)	EMBOSSED PACKAGE ORDER NO. オ-ダ-番号	CKT.

CONNECTOR SERIES No. 51338-***9

SEE SHEET 1 OF 4 EC NO: J2013-0254 DRWNK:TOYODA 2012/08/28 CHKD:TASAKAWA 2012/08/28 APPR:TASAKAWA 2012/08/31	GENERAL TOLERANCES (UNLESS SPECIFIED)		DIMENSION STYLE MM ONLY		SCALE ---	DESIGN UNITS METRIC	THIRD ANGLE PROJECTION
	10 UNDER ± --- 10 OVER 30 UNDER ± --- 30 OVER ± ---	DRAWN BY DATE M. NINOMI 2004/03/17		TITLE 0.4 B-TO-B CONN. REC ASSY(HGT=1.5) EMBSTP PKG			
	ANGULAR ± --- ° DRAFT WHERE APPLICABLE MUST REMAIN WITHIN DIMENSIONS	CHECKED BY DATE K. TOJO 2004/03/17		APPROVED BY DATE M. SASAO 2004/03/17		MATERIAL NO. SEE CHART DOCUMENT NO. SD-51338-004	SHEET NO. 4 OF 4
	THIS DRAWING CONTAINS INFORMATION THAT IS PROPRIETARY TO MOLEX INCORPORATED AND SHOULD NOT BE USED WITHOUT WRITTEN PERMISSION						