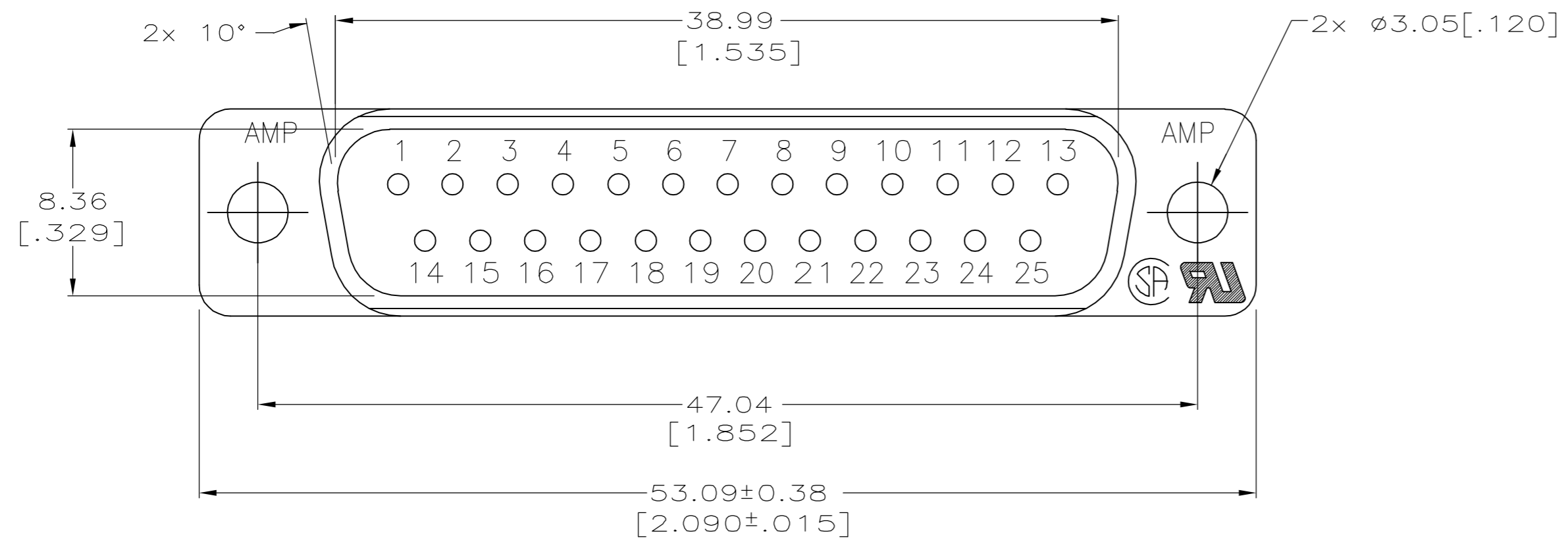
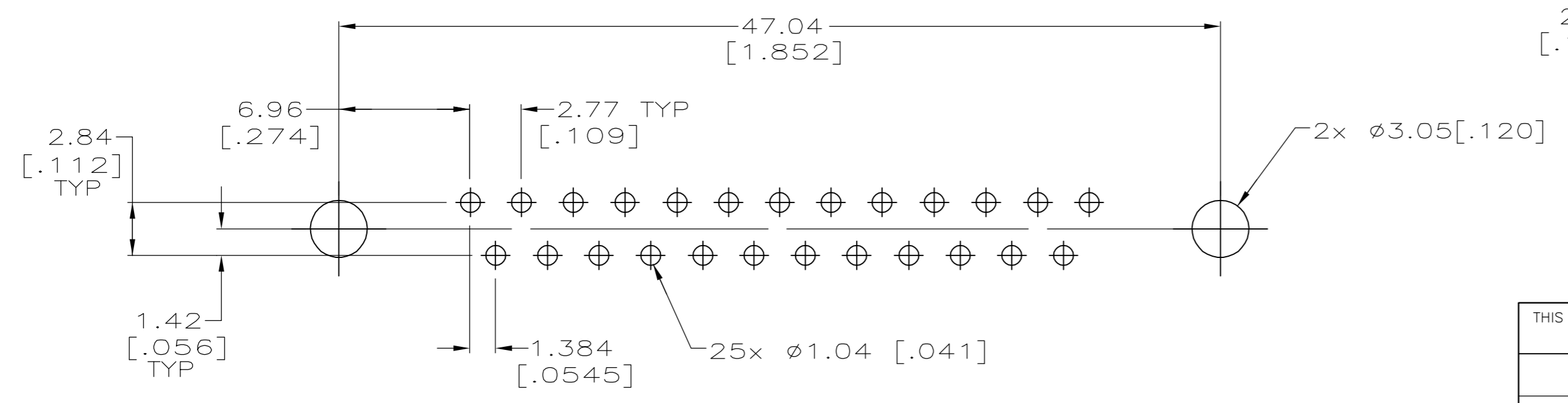
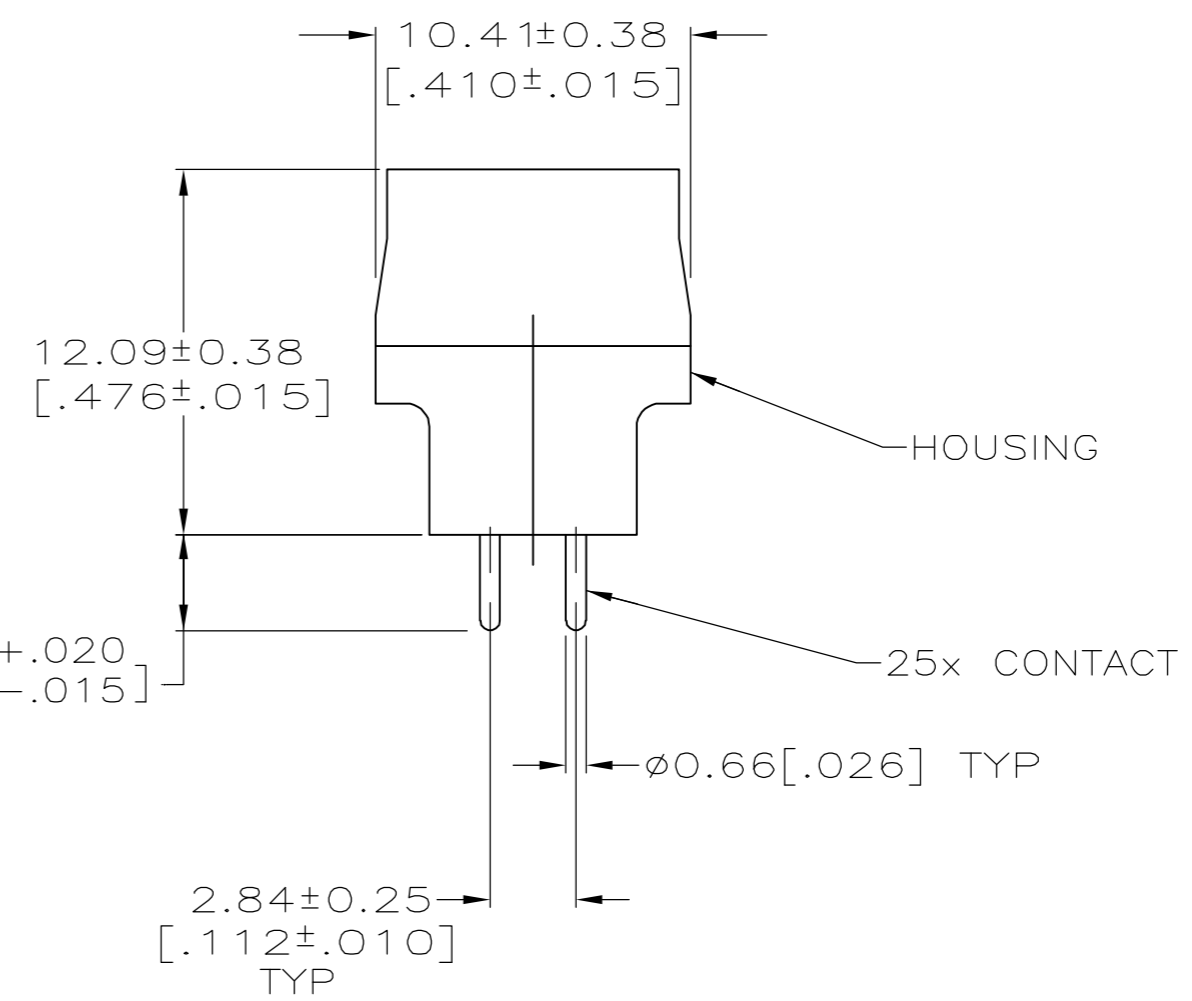
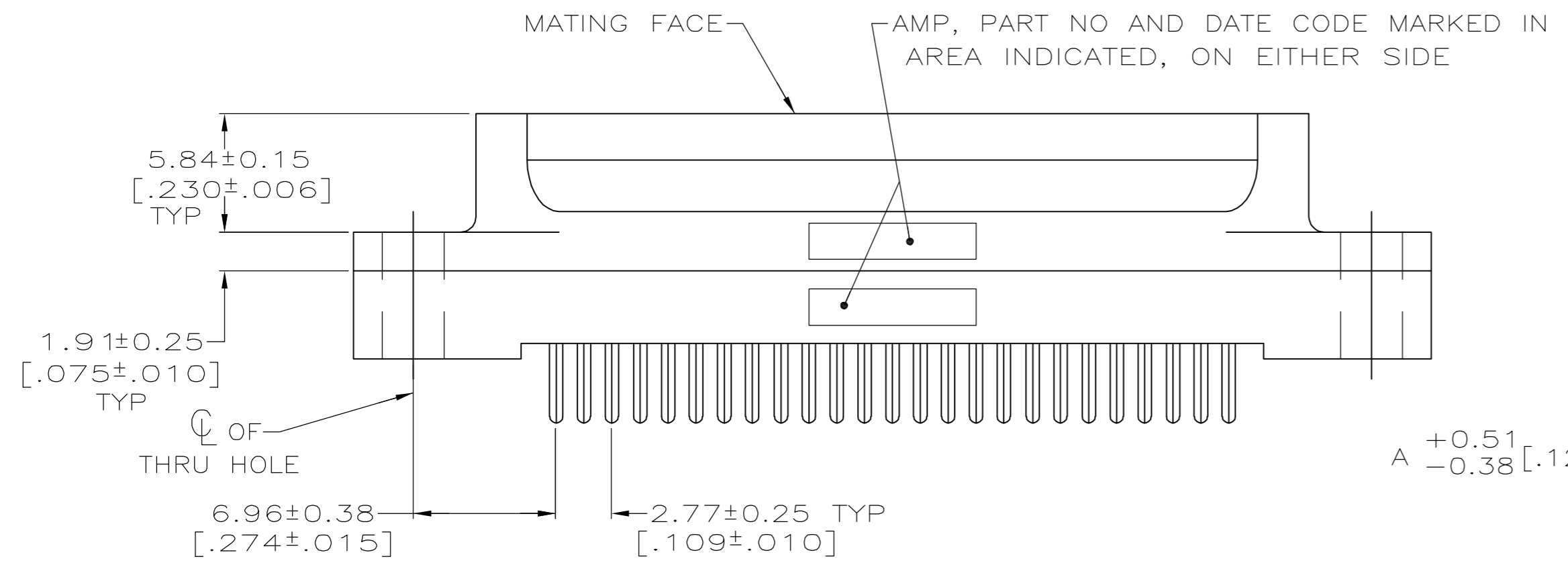


THIS DRAWING IS UNPUBLISHED. RELEASED FOR PUBLICATION  
 © COPYRIGHT BY TYCO ELECTRONICS CORPORATION. ALL RIGHTS RESERVED.

LOC		DIST		REVISIONS			
P	LTR	DESCRIPTION		DATE	DWN	APVD	
GP	00	J		REVISED PER ECO-06-024575	24JAN07	JDP	EDB



- 1 HOUSING: BLACK POLYESTER, UL 94V-0 RATED; CONTACTS: BRASS
- 2 GOLD PLATED FOR LENGTH OF 3.81[.150] MIN FROM MATING END, GOLD FLASH IN MATED AREA, 2.54µm [.000100] MIN TIN OR TIN-LEAD FOR A LENGTH OF DIMENSION A FROM OPPOSITE END, ALL OVER 1.27µm [.000050] MIN NICKEL.
- 3 GOLD PLATED FOR LENGTH OF 3.81[.150] MIN FROM MATING END, 0.76µm [.000030] MIN GOLD IN MATED AREA, 2.54µm [.000100] MIN TIN OR TIN-LEAD FOR A LENGTH OF DIMENSION A FROM OPPOSITE END, ALL OVER 1.27µm [.000050] MIN NICKEL.  
OR  
GOLD FLASH OVER PALLADIUM NICKEL PLATED FOR LENGTH OF 3.81 [.150] MIN FROM MATING END, 0.76µm [.000030] MIN PALLADIUM NICKEL IN MATED AREA, 2.54µm [.000100] MIN TIN OR TIN-LEAD FOR A LENGTH OF DIMENSION A FROM OPPOSITE END, BOTH OVER 1.27µm [.000050] MIN NICKEL.



STATUS	DATE	DESCRIPTION	REV	PART NUMBER
OBSELETE	6.35 [.250]		3	208008-6
OBSELETE	6.35 [.250]		2	208008-5
OBSELETE	4.32 [.170]		3	208008-4
SUPSD BY 208008-4				
	4.32 [.170]		2	208008-3
	3.18 [.125]		3	208008-2
	3.18 [.125]		2	208008-1
A				CONTACT FINISH
				PART NUMBER

RECOMMENDED PC BOARD MOUNTING DIMENSIONS

THIS DRAWING IS A CONTROLLED DOCUMENT.		DWN G.PETERS 12SEP05	Tyco Electronics Corporation Harrisburg, PA 17105-3608	
DIMENSIONS: mm [INCHES]		CHK S.BOLASH 12SEP05		
TOLERANCES UNLESS OTHERWISE SPECIFIED:		APVD M.WALMSLEY 12SEP05	NAME	
0 PLC ± -		PRODUCT SPEC	108-40025	
1 PLC ± -		APPLICATION SPEC	PLUG ASSEMBLY, SIZE 3, 25 POSN, VERTICAL, AMPLIMITE HD-20	
2 PLC ± 0.13 [.005]			SIZE	A2
3 PLC ± -			CAGE CODE	00779
4 PLC ± -			DRAWING NO	C=208008
ANGLES ± -			RESTRICTED TO	-
FINISH	1 2 3	WEIGHT -	SCALE	4:1
MATERIAL 1		CUSTOMER DRAWING	SHEET	1 of 1
			REV	J

# Mouser Electronics

Authorized Distributor

Click to View Pricing, Inventory, Delivery & Lifecycle Information:

[TE Connectivity:](#)

[208008-1](#)