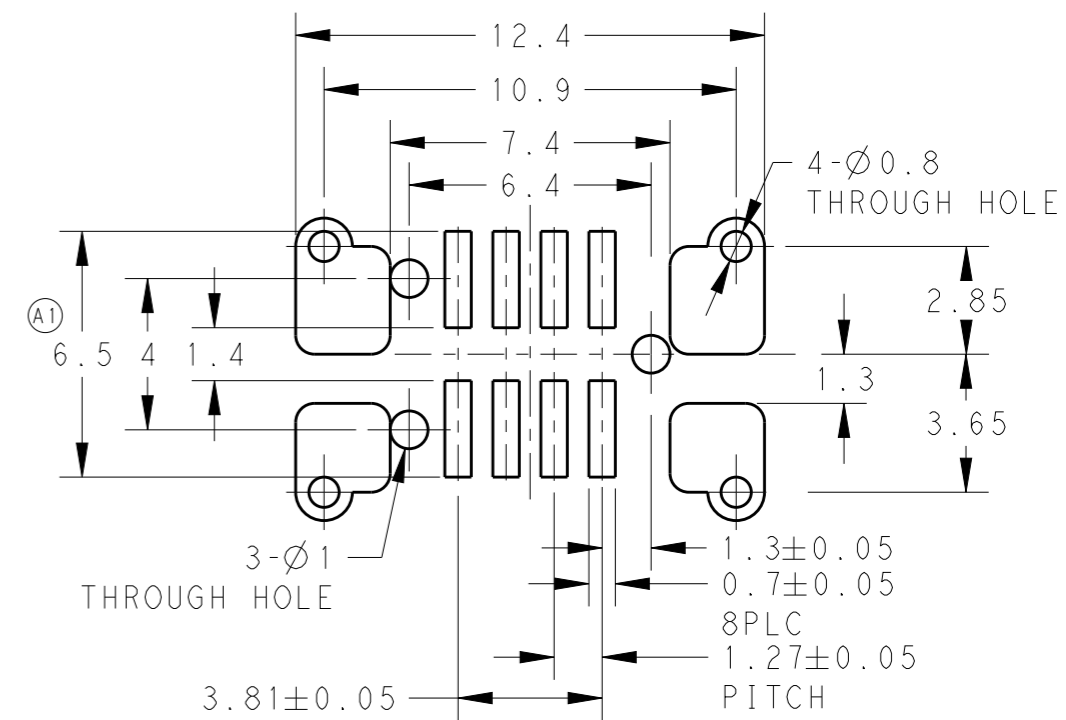
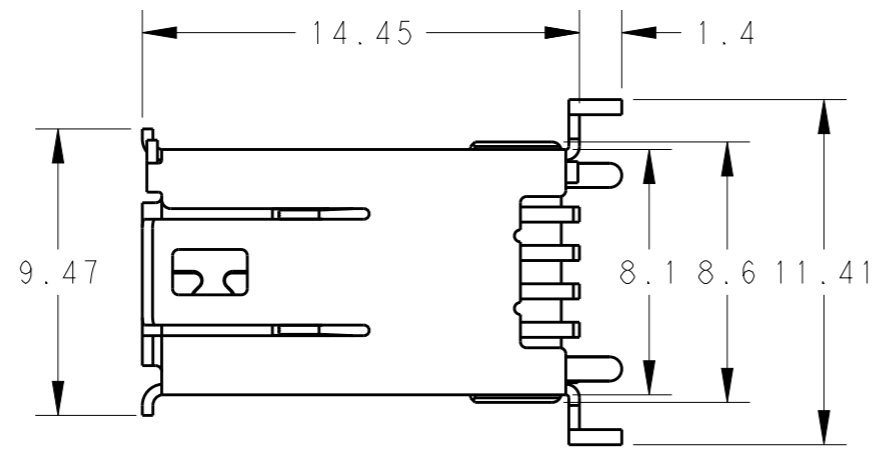
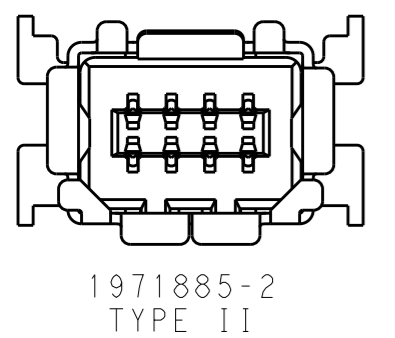
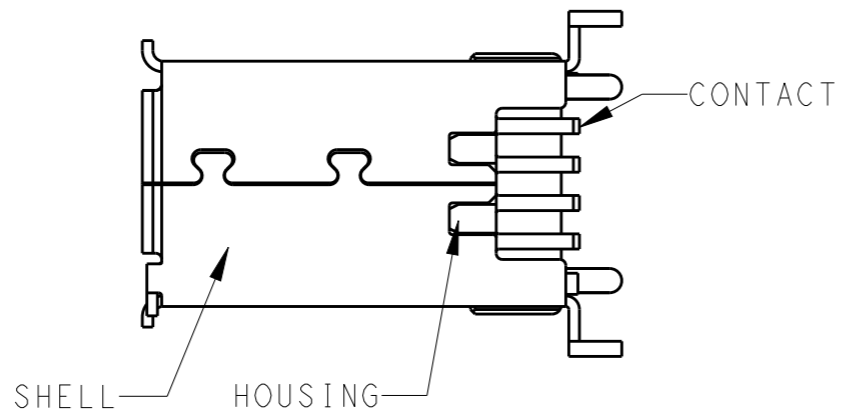
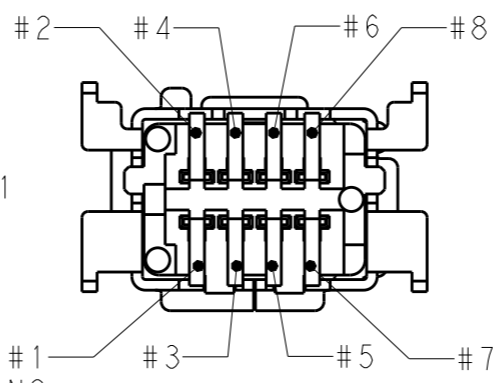
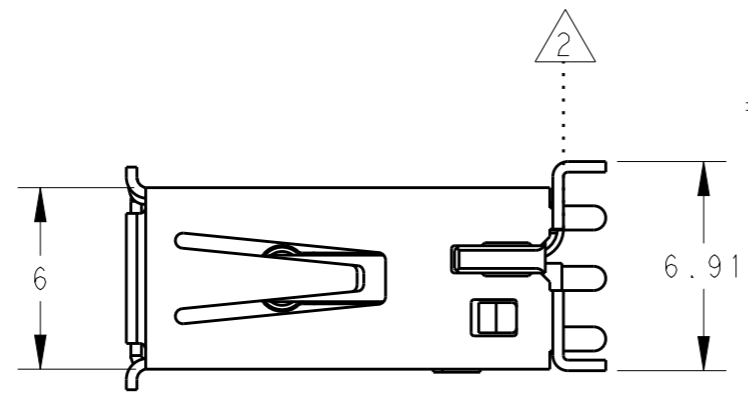
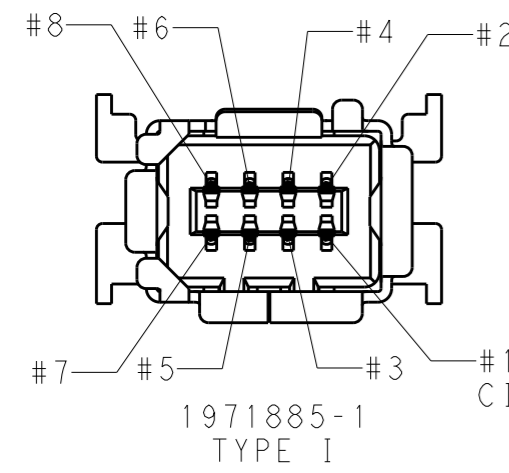


THIS DRAWING IS UNPUBLISHED. RELEASED FOR PUBLICATION  
 © COPYRIGHT - BY - ALL RIGHTS RESERVED.

LOC	DIST	REVISIONS			
P	LTR	DESCRIPTION	DATE	DWN	APVD
-	-	A	NEW RELEASE	03MAR2013	H.W. P.Y.
-	-	A1	REVISED	16OCT2013	H.W. X.X.



RECOMMENDED BOARD DIMENSION  
 t=1.6  
 SCALE 5:1  
 GENERAL TOL.: ±0.1



NOTES:  
 1 MATERIAL AND FINISH  
 CONTACT: COPPER ALLOY  
 UNDER ALL SURFACE NICKEL 1.27µm MIN.  
 TOP CONTACT AREA: GOLD 0.5µm MIN  
 SOLDERING AREA: TIN PLATE  
 HOUSING: THERMO PLASTIC(UL94V-0)  
 SHELL: COPPER ALLOY  
 UNDER ALL SURFACE NICKEL  
 TOP ALL SURFACE TIN  
 2 COPLANARITY 0.1 MAX  
 (IN 8 TIPS OF CONTACTS AND 4 PEGS OF SHELL)  
 3 GENERAL TOL.: ±0.3; ±5°

8	TYPE II SMT RECEPTACLE WITH CAP	1-1971885-2
8	TYPE I SMT RECEPTACLE WITH CAP	1-1971885-1
8	TYPE II SMT RECEPTACLE	1971885-2
8	TYPE I SMT RECEPTACLE	1971885-1
POS	DESCRIPTION	PART NO

THIS DRAWING IS A CONTROLLED DOCUMENT.		DWN 03MAR2013 HOWELL WANG	TE Connectivity	
DIMENSIONS: mm		CHK 03MAR2013 DAVID WANG		
TOLERANCES UNLESS OTHERWISE SPECIFIED:		APVD 03MAR2013 PETER YIN	NAME SMT VERTICAL MINI I/O RECEPTACLE 1.27mm PITCH	
0 PLC ±-		PRODUCT SPEC 108-106087	SIZE A3	CAGE CODE -
1 PLC ±-		APPLICATION SPEC -	DRAWING NO C-1971885	RESTRICTED TO -
2 PLC ±-		WEIGHT -	SCALE 4:1 SHEET 1 OF 3 REV A1	
3 PLC ±-		Customer Drawing		
4 PLC ±-				
ANGLES ±-				
FINISH -				

4

3

2

1

THIS DRAWING IS UNPUBLISHED.

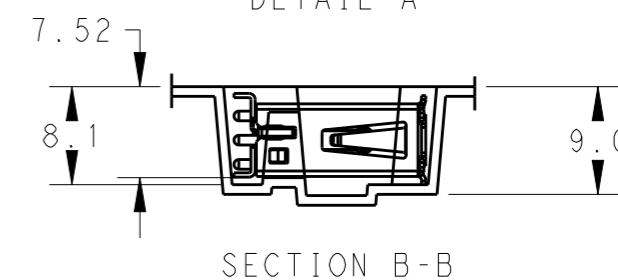
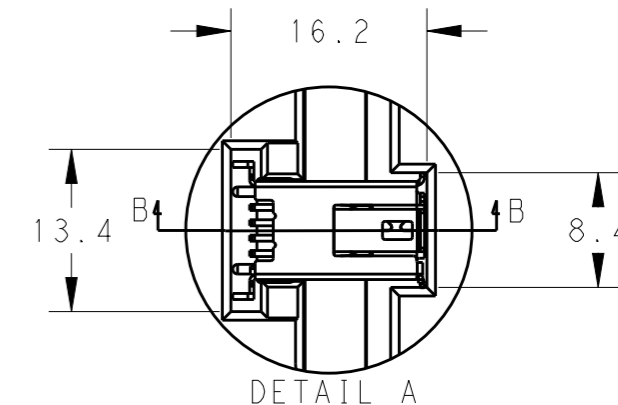
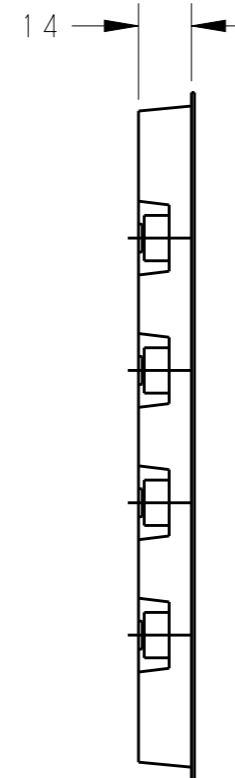
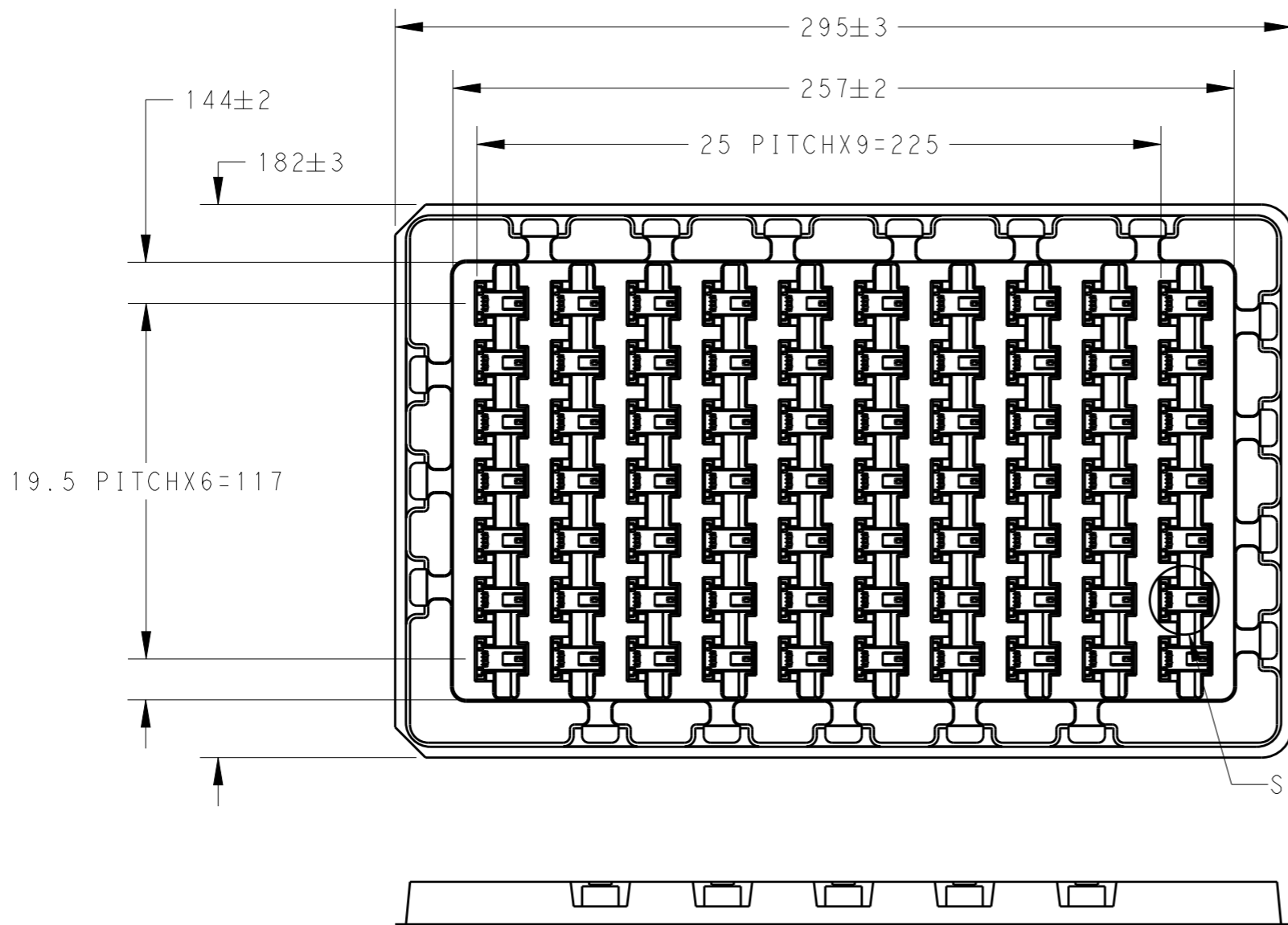
RELEASED FOR PUBLICATION

© COPYRIGHT - BY - ALL RIGHTS RESERVED.

LOC - DIST -

REVISIONS

P	LTR	DESCRIPTION	DATE	DWN	APVD
-	-	SEE SHEET 1	-	-	-



SEE DETAIL A

PACKAGE AS SHOWN

1971885-2  
1971885-1

DESCRIPTION

PART NO

NOTE:  
4 PACKAGE:  
70PCS PER TRAY FOR 1971885-1 & 1971885-2

THIS DRAWING IS A CONTROLLED DOCUMENT.

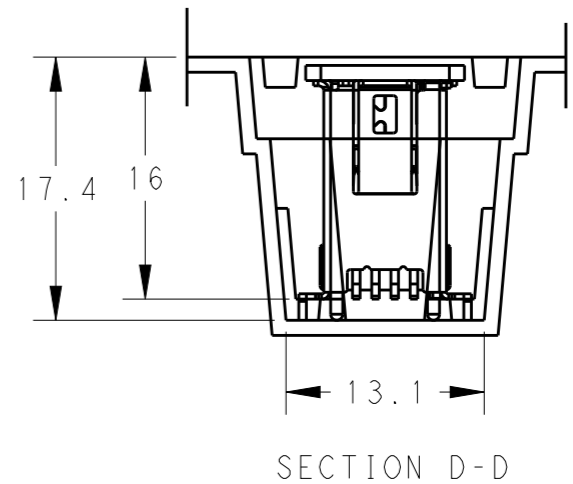
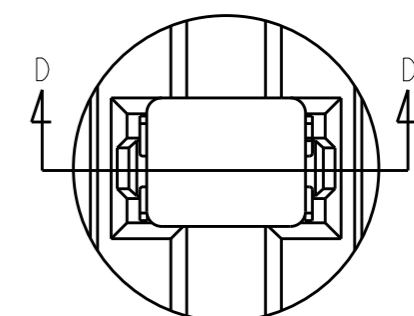
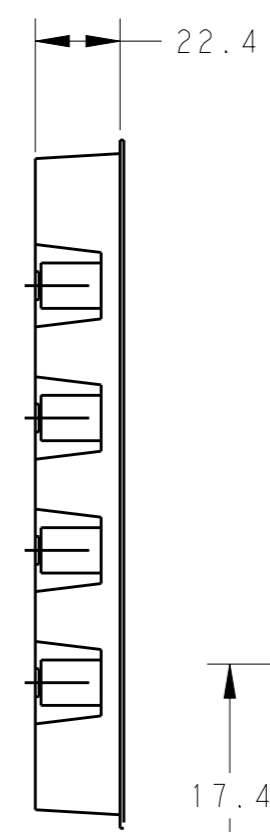
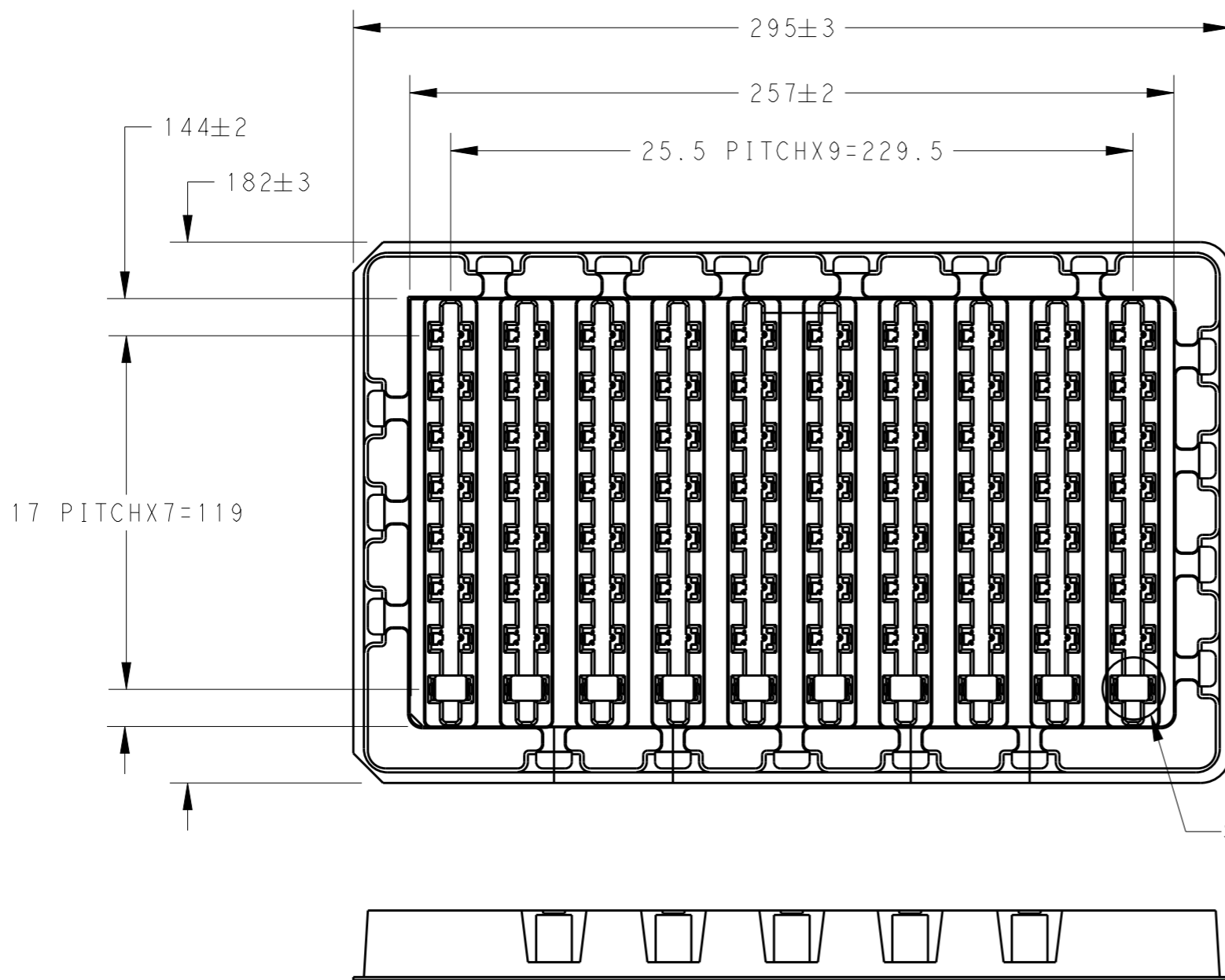
DIMENSIONS:		TOLERANCES UNLESS OTHERWISE SPECIFIED:	
mm		0 PLC	±-
		1 PLC	±-
		2 PLC	±-
		3 PLC	±-
		4 PLC	±-
		ANGLES	±-
MATERIAL	-	FINISH	-

DWN	SEE SHEET 1
CHK	SEE SHEET 1
APVD	SEE SHEET 1
PRODUCT SPEC	SEE SHEET 1
APPLICATION SPEC	-
WEIGHT	-
Customer Drawing	

TE Connectivity		NAME	
		SMT VERTICAL MINI I/O RECEPTACLE 1.27mm PITCH	
SIZE	CAGE CODE	DRAWING NO	RESTRICTED TO
A3	-	©-1971885	-
SCALE 4:1		SHEET 2 OF 3	REV A1

THIS DRAWING IS UNPUBLISHED. RELEASED FOR PUBLICATION  
 © COPYRIGHT - BY - ALL RIGHTS RESERVED.

LOC	DIST	REVISIONS			
P	LTR	DESCRIPTION	DATE	DWN	APVD
-	-	SEE SHEET 1	-	-	-



SEE DATA C

NOTE:  
 5 PACKAGE:  
 80PCS PER TRAY FOR 1-1971885-1 & 1-1971885-2

PACKAGE AS SHOWN	1-1971885-2 1-1971885-1
DESCRIPTION	PART NO

THIS DRAWING IS A CONTROLLED DOCUMENT.		DWN	SEE SHEET 1	TE Connectivity NAME SMT VERTICAL MINI I/O RECEPTACLE 1.27mm PITCH	
DIMENSIONS: mm		CHK	SEE SHEET 1		
TOLERANCES UNLESS OTHERWISE SPECIFIED:		APVD	SEE SHEET 1		
0 PLC ± - 1 PLC ± - 2 PLC ± - 3 PLC ± - 4 PLC ± - ANGLES ± -		PRODUCT SPEC	SEE SHEET 1		
MATERIAL	-	FINISH	-	APPLICATION SPEC	
		WEIGHT	-	SIZE	A3
		Customer Drawing		CAGE CODE	-
				DRAWING NO	1971885
				RESTRICTED TO	-
				SCALE	-
				SHEET	3 OF 3
				REV	A1

# Mouser Electronics

Authorized Distributor

Click to View Pricing, Inventory, Delivery & Lifecycle Information:

[TE Connectivity:](#)

[1971885-1](#) [1971885-2](#)