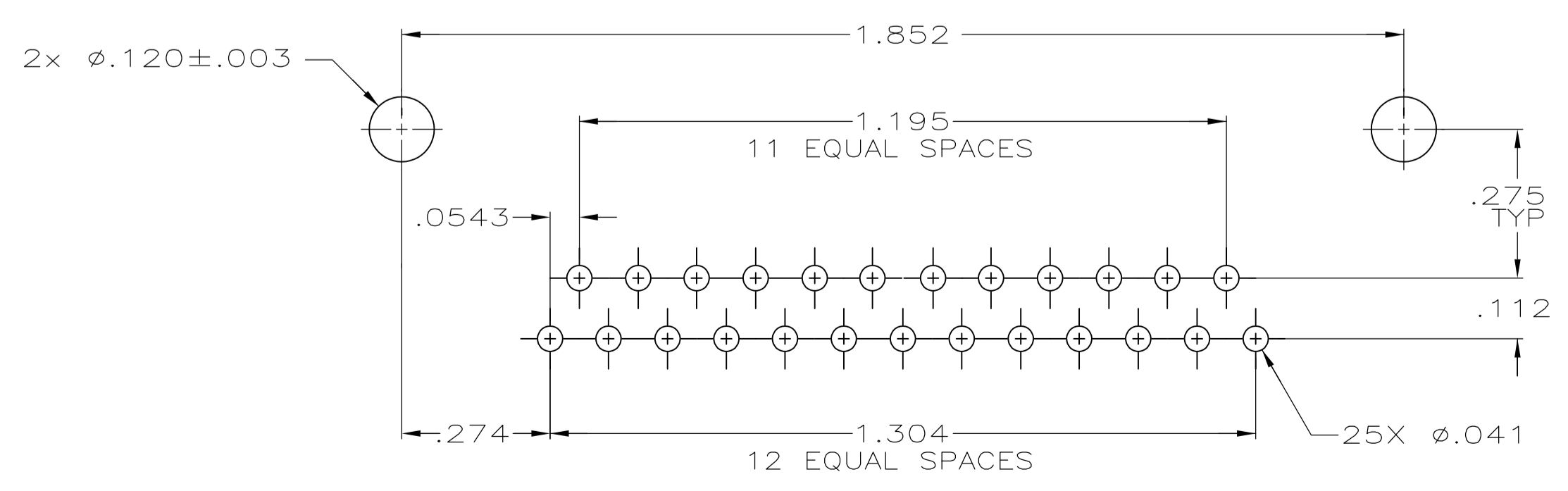
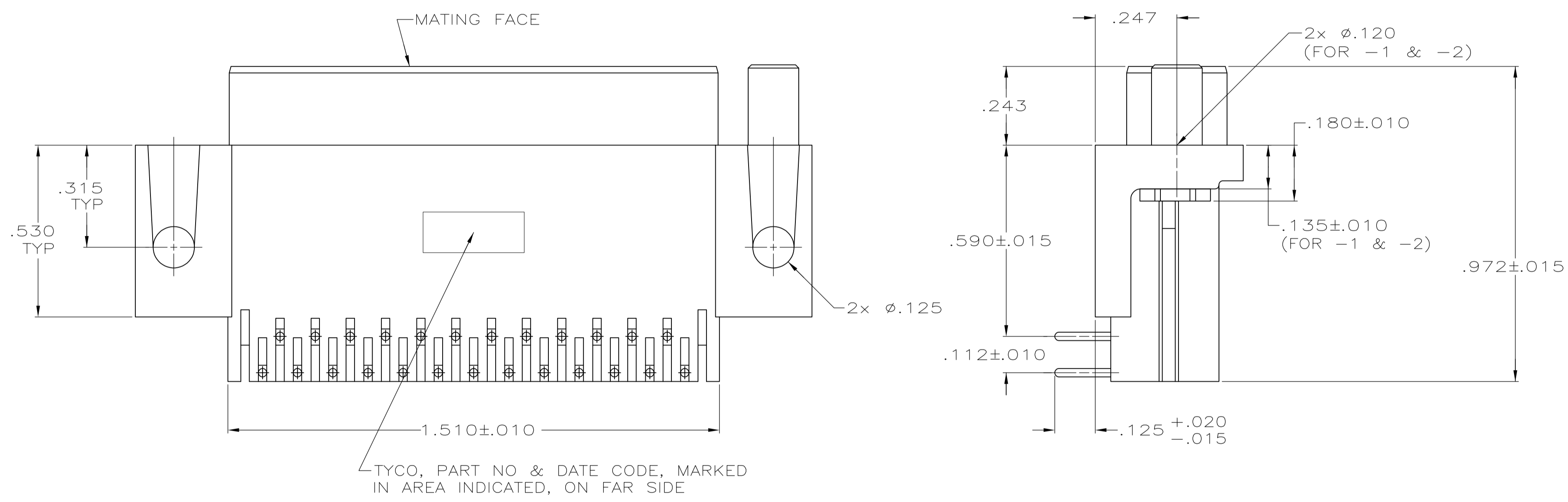


- 1 HOUSING: FLAME RETARDANT, 94V-0 RATED, GLASS FILLED, NYLON OR POLYESTER, COLOR: BLACK
CONTACTS: PHOS BRONZE.
INSERTS & SCREWLOCKS: ZINC.
- 2 REFER TO APPLICATION SPEC FOR RECOMMENDED P.C. BOARD MOUNTING DIMENSIONS FOR AUTOMATIC INSERTION.
- 3 CONTACTS: SEE TABLE
INSERTS & SCREWLOCKS: CLEAR CHROMATE COATING.
- 4 PLATED WITH GOLD FLASH FOR LENGTH OF .055 MIN FROM MATING END, .000100 MIN TIN ON SOLDER END, ALL OVER .000050 MIN NICKEL ON ENTIRE CONTACT.
- 5 PLATED WITH .000030 MIN GOLD FOR LENGTH OF .055 MIN FROM MATING END, .000100 MIN TIN SOLDER END, ALL OVER .000050 MIN NICKEL ON ENTIRE CONTACT.



RECOMMENDED P.C. BOARD MOUNTING DIMENSIONS 2

WITH SCREWLOCKS	5	5747461-6
WITH SCREWLOCKS	4	5747461-5
WITH INSERTS	5	5747461-4
WITH INSERTS	4	5747461-3
WITH .120 DIA HOLE	5	5747461-2
WITH .120 DIA HOLE	4	5747461-1
REMARKS	FINISH	PART NUMBER

**COPYRIGHT 2005
TE CONNECTIVITY CORP
ALL RIGHTS RESERVED**

THIS DRAWING IS A CONTROLLED DOCUMENT.		DIN G. PETERS 16SEP05	TE Connectivity	
DIMENSIONS: INCHES		CHK S. BOLASH 16SEP05	NAME	
TOLERANCES UNLESS OTHERWISE SPECIFIED:		APPD M. WALMSLEY 16SEP05	PRODUCT SPEC	
0 PLC ± -	1 PLC ± -	108-40025		
2 PLC ± -	3 PLC ± .005	APPLICATION SPEC		
4 PLC ± -	ANGLES ± ± °	SIZE	CAGE CODE	DRAWING NO
MATERIAL	FINISH	114-40015	A1	00779
CUSTOMER DRAWING		WEIGHT	SCALE	SHEET
			4:1	1 of 1

Mouser Electronics

Authorized Distributor

Click to View Pricing, Inventory, Delivery & Lifecycle Information:

[TE Connectivity:](#)

[5747461-4](#)