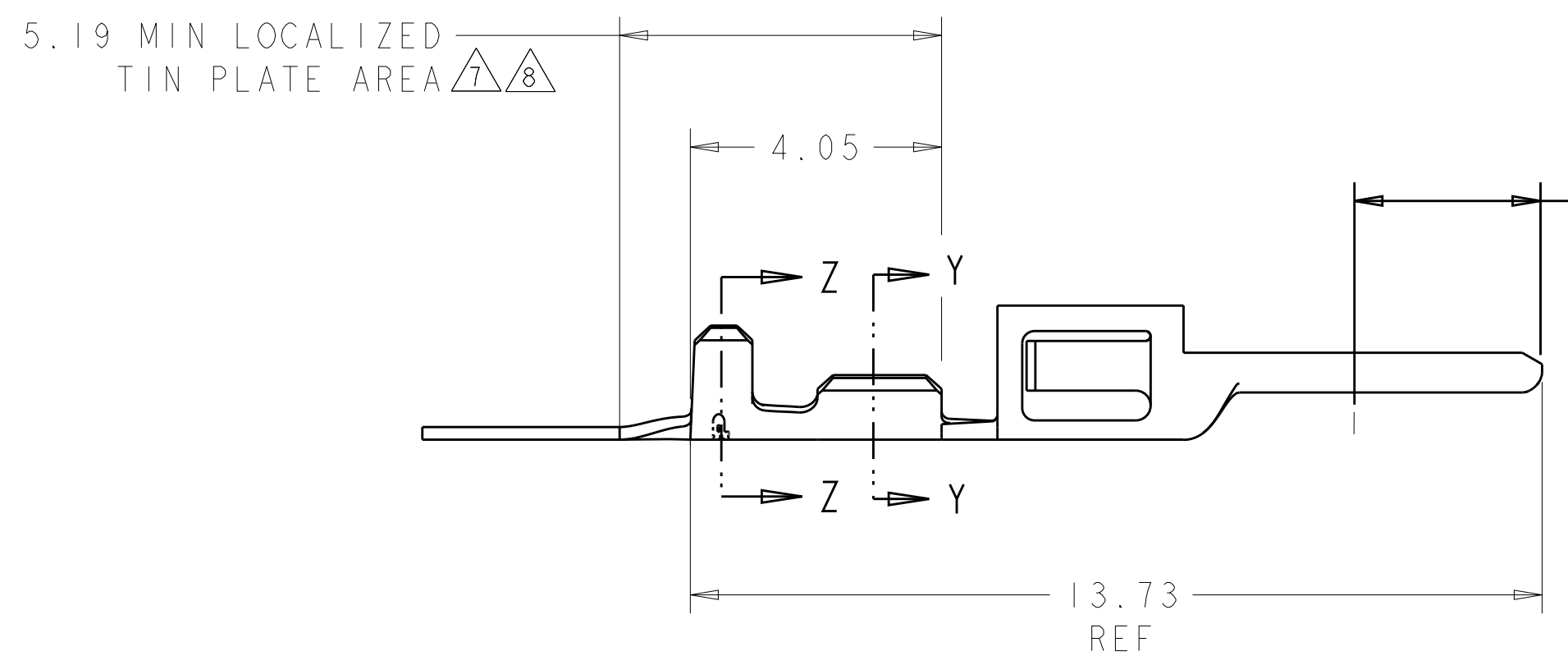
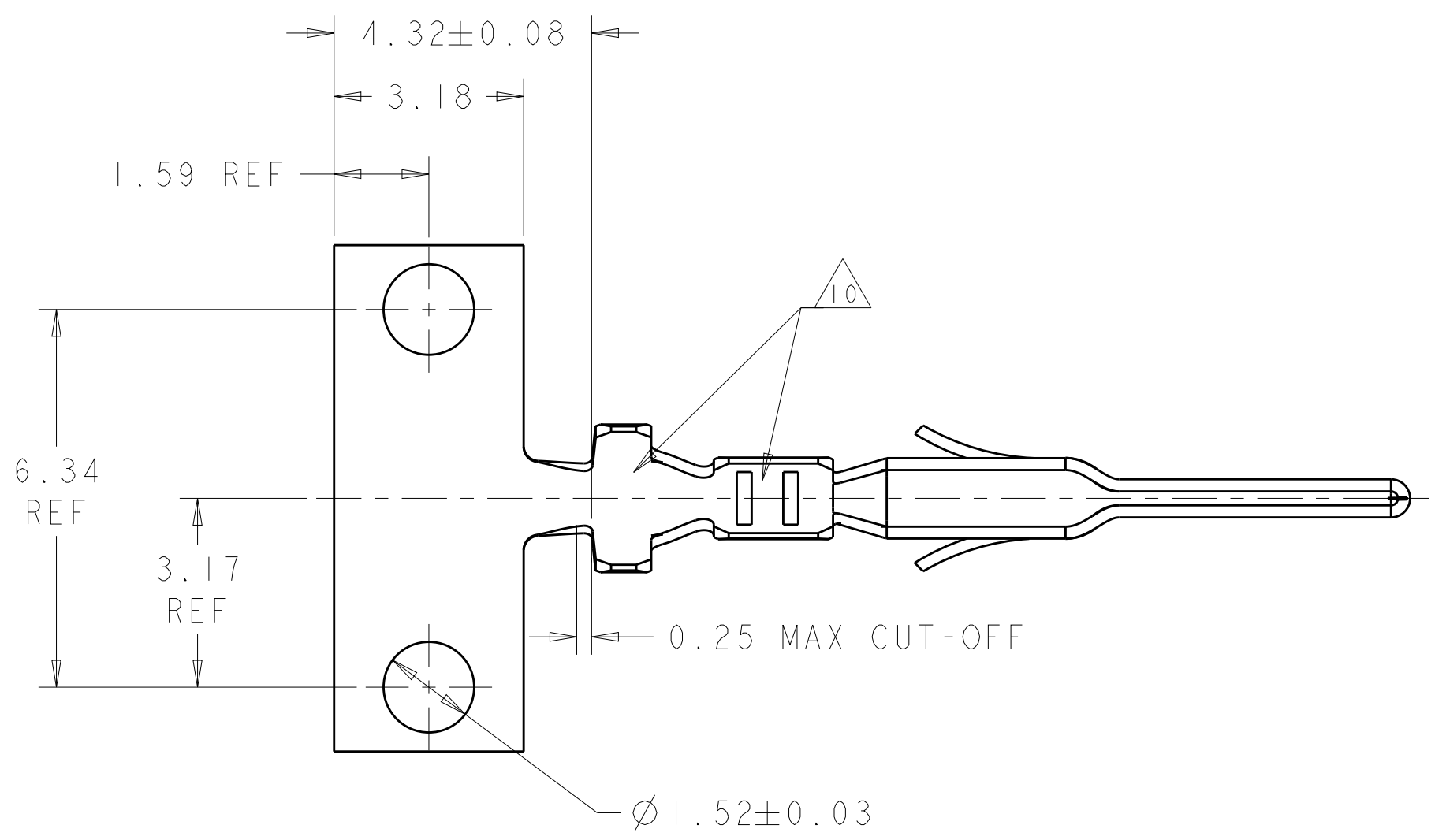
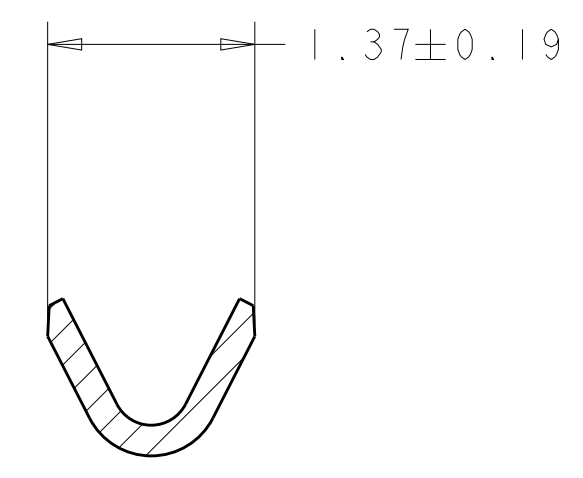
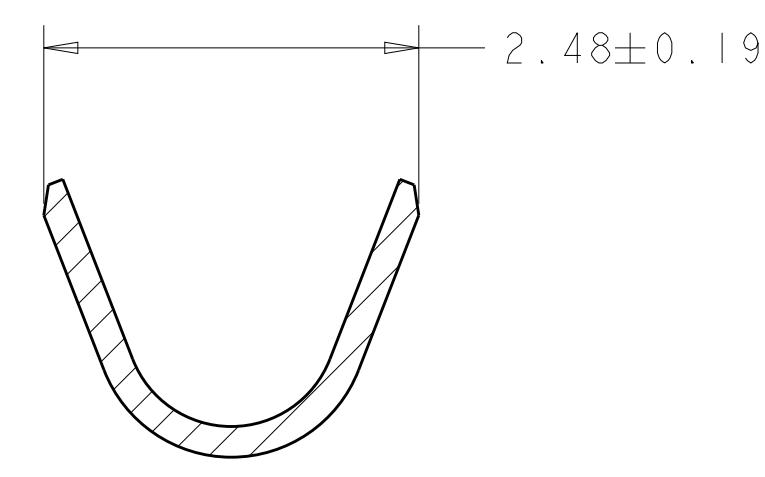


THIS DRAWING IS UNPUBLISHED. RELEASED FOR PUBLICATION 20  
 © COPYRIGHT 20 BY - ALL RIGHTS RESERVED.

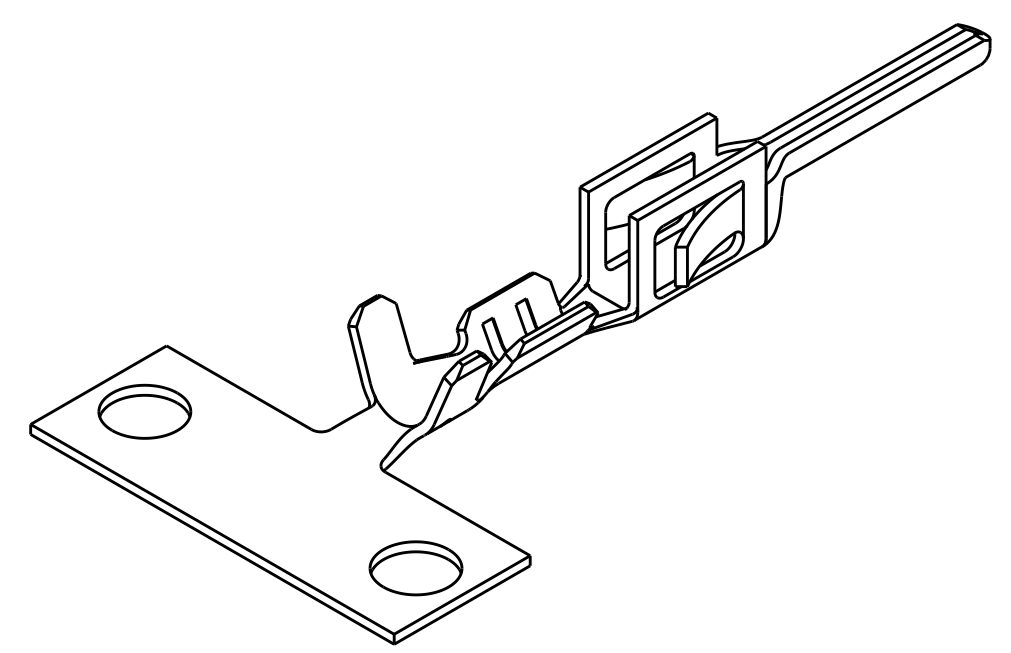
REVISIONS				
P	LTR	DESCRIPTION	DATE	APVD
C2		REVISED PER ECR-18-006831	12JUN2018	JB DZ
D		REVISED PER ECR-18-007143	11SEP2018	JB DZ



3.00 MIN LOCALIZED GOLD PLATE AREA  $\triangle 7$   $\triangle 8$



- $\triangle 1$  2.54-6.35  $\mu\text{m}$  MIN BRIGHT TIN/LEAD ENTIRE STOCK OVER 1.27-3.81  $\mu\text{m}$  MIN NICKEL ENTIRE STOCK.
- $\triangle 2$  0.38  $\mu\text{m}$  MIN GOLD IN LOCALIZED GOLD PLATE AREA, 2.54-6.35  $\mu\text{m}$  MIN BRIGHT TIN/LEAD IN LOCALIZED TIN/LEAD PLATE AREA, BOTH OVER 1.27-3.81  $\mu\text{m}$  MIN NICKEL ON ENTIRE STOCK.
- $\triangle 3$  0.76  $\mu\text{m}$  MIN GOLD IN LOCALIZED GOLD PLATE AREA, 2.54-6.35  $\mu\text{m}$  MIN BRIGHT TIN/LEAD IN LOCALIZED TIN/LEAD PLATE AREA, BOTH OVER 1.27-3.81  $\mu\text{m}$  MIN NICKEL ON ENTIRE STOCK.
- 4. WIRE RANGE 26-30 AWG.
- 5. INSULATION RANGE 0.89-1.52
- $\triangle 6$  2.54-6.35  $\mu\text{m}$  MIN BRIGHT TIN ENTIRE STOCK OVER 1.27-3.81  $\mu\text{m}$  MIN NICKEL ENTIRE STOCK.
- $\triangle 7$  0.38  $\mu\text{m}$  MIN GOLD IN LOCALIZED GOLD PLATE AREA, 2.54-6.35  $\mu\text{m}$  MIN BRIGHT TIN IN LOCALIZED TIN PLATE AREA, BOTH OVER 1.27-3.81  $\mu\text{m}$  MIN NICKEL ON ENTIRE STOCK.
- $\triangle 8$  0.76  $\mu\text{m}$  MIN GOLD IN LOCALIZED GOLD PLATE AREA, 2.54-6.35  $\mu\text{m}$  MIN BRIGHT TIN IN LOCALIZED TIN PLATE AREA, BOTH OVER 1.27-3.81  $\mu\text{m}$  MIN NICKEL ON ENTIRE STOCK.
- $\triangle 9$  NOTE DELETED.
- $\triangle 10$  TIN PLATING THICKNESS INSIDE WIRE AND INSULATION BARRELS TO BE 1.27  $\mu\text{m}$  MIN.



	$\triangle 8$	1-794609-2
	$\triangle 7$	1-794609-1
	$\triangle 6$	1-794609-0
SUPERSEDED BY 1-794609-2	$\triangle 3$	<del>794609-3</del>
SUPERSEDED BY 1-794609-1	$\triangle 2$	<del>794609-2</del>
SUPERSEDED BY 1-794609-0	$\triangle 1$	<del>794609-1</del>
REMARKS	FINISH	PART NUMBER

THIS DRAWING IS A CONTROLLED DOCUMENT.		DWN W J RUDY 29AUG2000	TE Connectivity	
DIMENSIONS: mm		CHK W DAVIS 29AUG2000		
TOLERANCES UNLESS OTHERWISE SPECIFIED:		APVD W DAVIS 29AUG2000	NAME PLUG CONTACT, CRIMP SNAP, 26-30 AWG, MICRO MATE-N-LOK(TM)	
0 PLC	±	PRODUCT SPEC	-	
1 PLC	±	APPLICATION SPEC	-	
2 PLC	±0.13	WEIGHT	-	
3 PLC	±	CUSTOMER DRAWING	-	
4 PLC	±	SCALE 10:1	SHEET 1 OF 1	
ANGLES	±	REV D		
FINISH	-			
MATERIAL 0.20 THK BRASS				