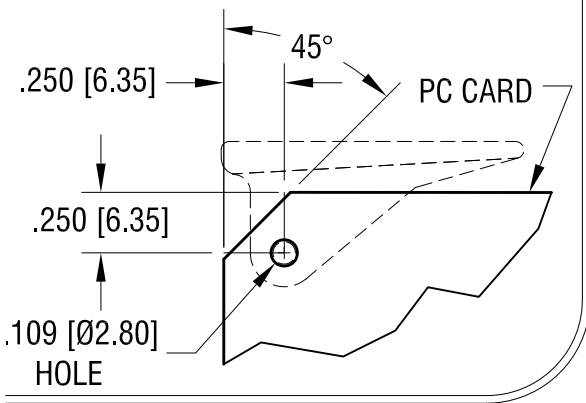
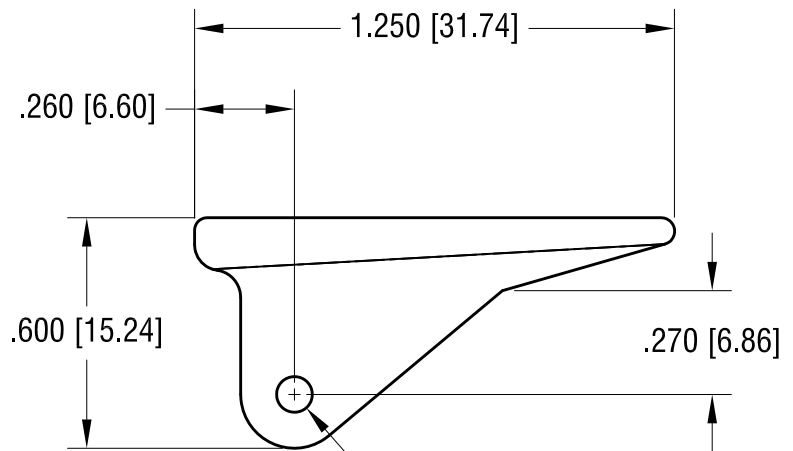
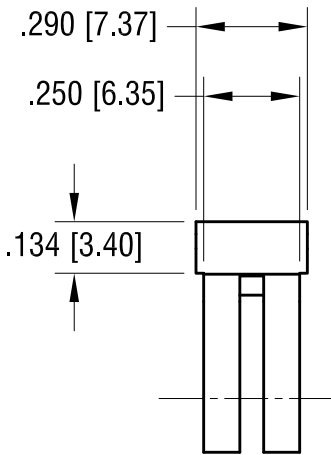
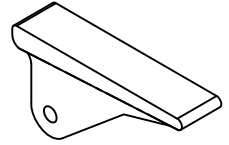


THIS DOCUMENT IS THE PROPERTY OF KEYSTONE ELECTRONICS CORP. AND SHALL NOT BE REPRODUCED, DISTRIBUTED OR USED AS A BASIS FOR MANUFACTURE WITHOUT PRIOR WRITTEN PERMISSION FROM KEYSTONE ELECTRONICS CORP.

**CARD MOUNTING DIMENSIONS**



**ACTUAL SIZE**



SLOT DESIGNED FOR  
.062 [1.57] THICK  
PC BOARD

±.005 [±0.13]  
Ø.093 [Ø2.36]  
DIA. HOLE  
SEE NOTE 1.

(A1)

5.05.14 CHANGE AS PER ECR 14-050  
SPLIT C/M TO 'C' AND 'M'  
DESIGN DID NOT CHANGED  
(A1) WAS .093 [2.36] ±.005 [±0.15]

DATE	DESCRIPTION	REV.
5.05.14	CHANGE AS PER ECR 14-050	A

<b>KEYSTONE ELECTRONICS CORP.</b>			
www.keyelco.com • ASTORIA, N.Y. 11105-2017 • Tel (718) 956-8900			
PART NAME		PC BOARD CARD EJECTOR	
MATERIAL		WHITE NYLON 6/6 UL 94V-2	
FINISH	-	DRN BY	BOONE
		DATE	2.7.06
		APP'D	LN
		SCALE	2X
TOLERANCES	INCH [MM]	CODE	DWG NO.
DECIMAL	±.010 [±0.25]	C	8643
ANGULAR	± 1°		
UNLESS OTHERWISE SPECIFIED			

# Mouser Electronics

Authorized Distributor

Click to View Pricing, Inventory, Delivery & Lifecycle Information:

[Keystone Electronics:](#)

[8643](#)