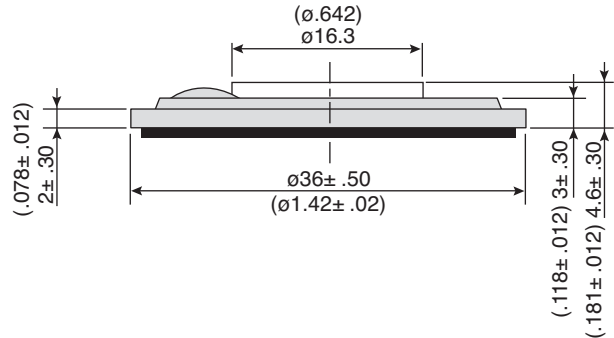
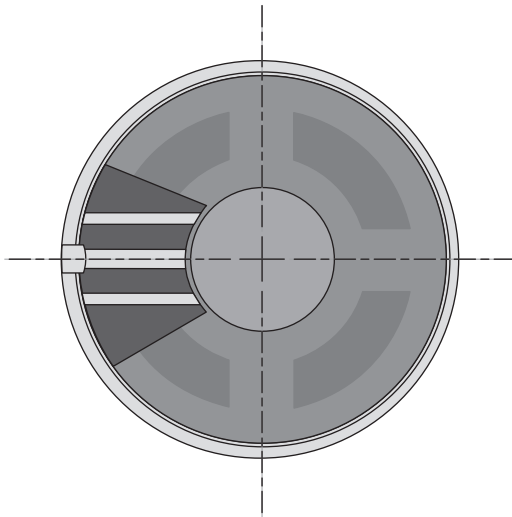


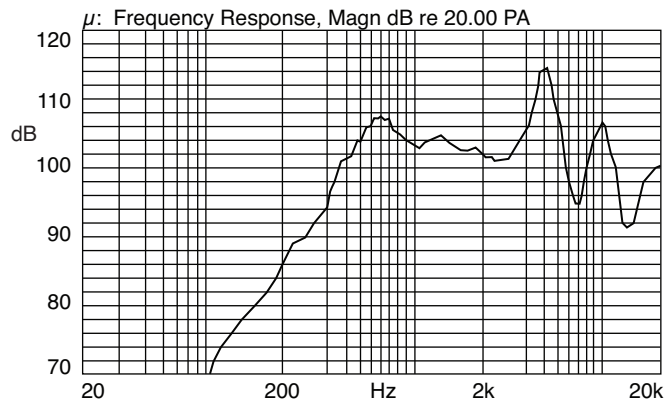
Part Number:

254-DS368-RO



Dynamic Speaker

Frequency Response Curve:



KT-400343

Electrical Specifications:

- Rated Input Power: 1.0 W
- Max. Input Power: Must be normal at 1.2W white noise for 1 minute.
- Impedance: $8\Omega \pm 15\%$ at 2000Hz
- Resonant Frequency (Fo): $550\text{Hz} \pm 20\%$ at Fo, 1V
- Frequency Range: Fo – 6KHz

Material:

- Magnet: NdFeB

Note:

- RoHS Compliant

Mouser Electronics

Authorized Distributor

Click to View Pricing, Inventory, Delivery & Lifecycle Information:

[Kobitone:](#)

[254-DS368-RO](#)