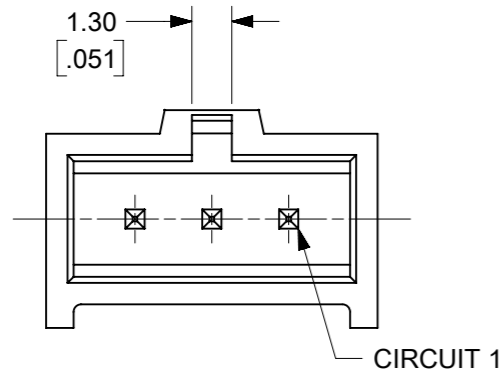
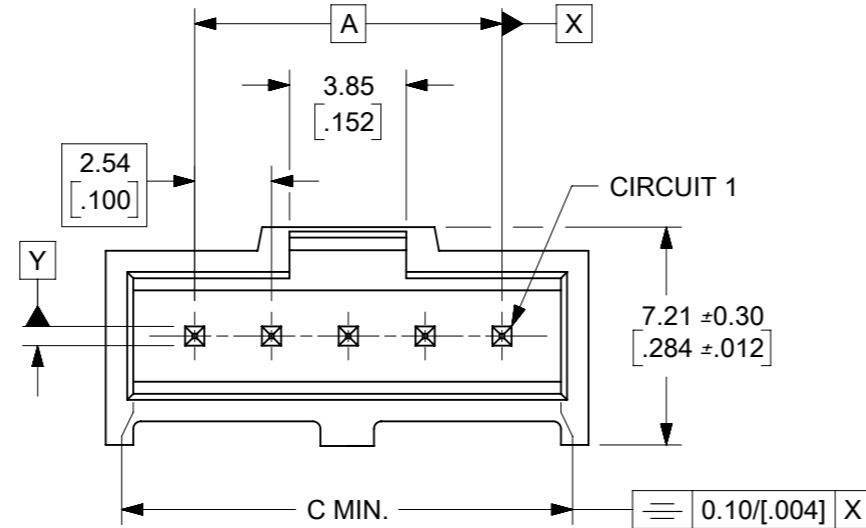


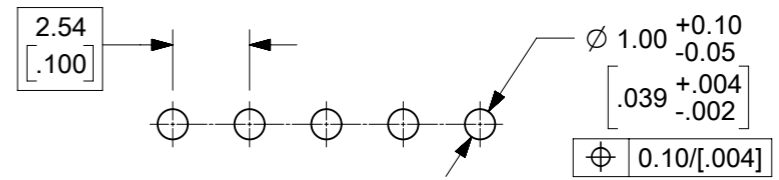
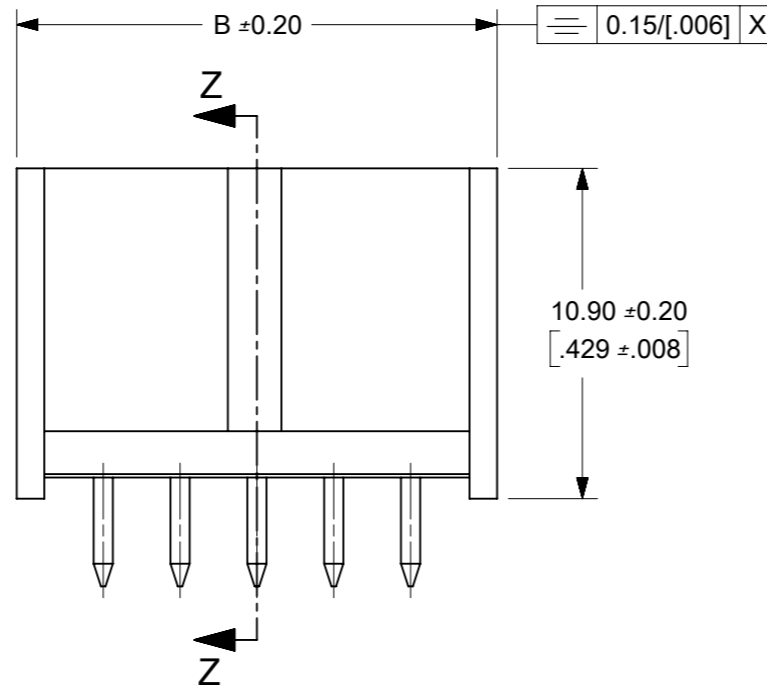
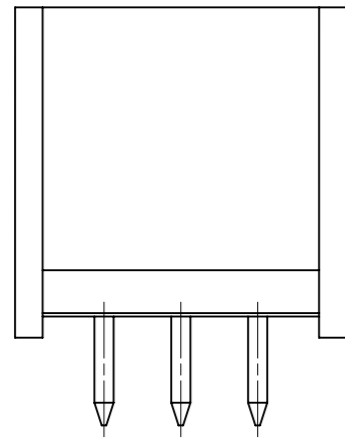
THROUGH HOLE VERSION (STRAIGHT ASSEMBLY)



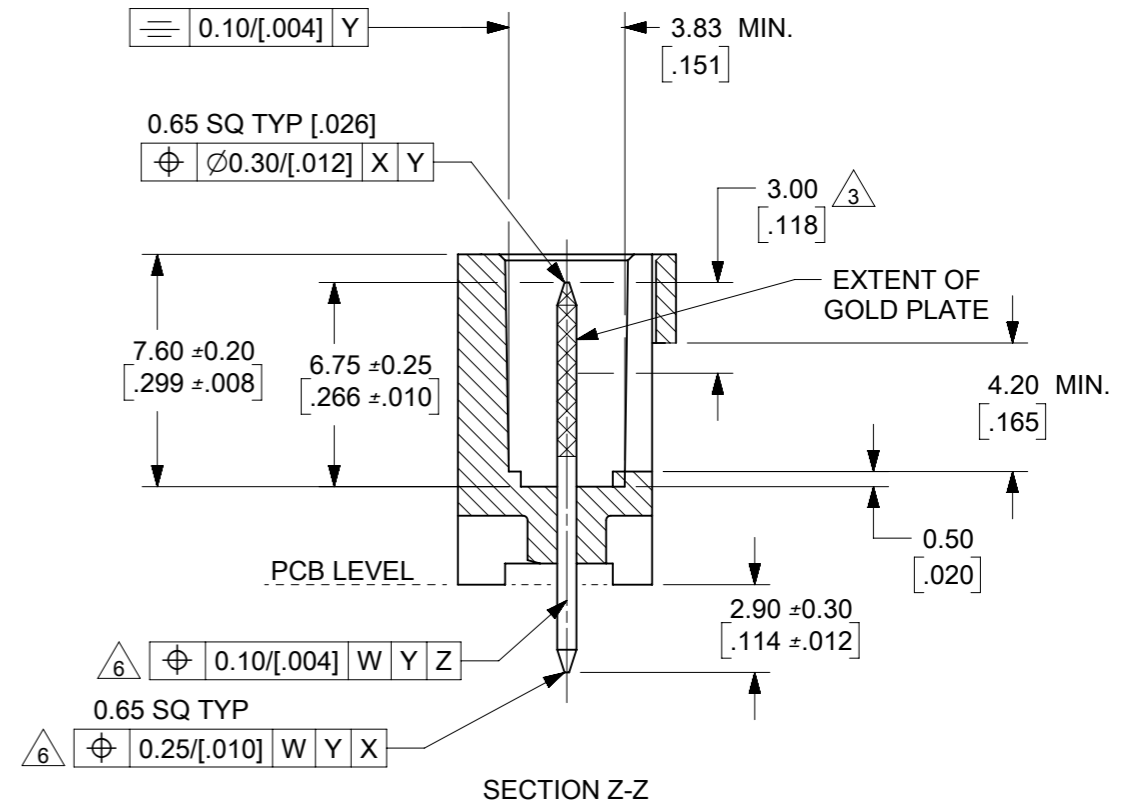
1 TO 3 CIRCUITS



4 TO 32 CIRCUITS



RECOMMENDED PCB HOLE PATTERN

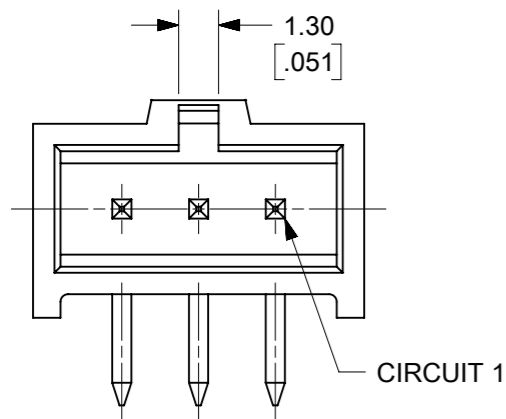


NOTES:

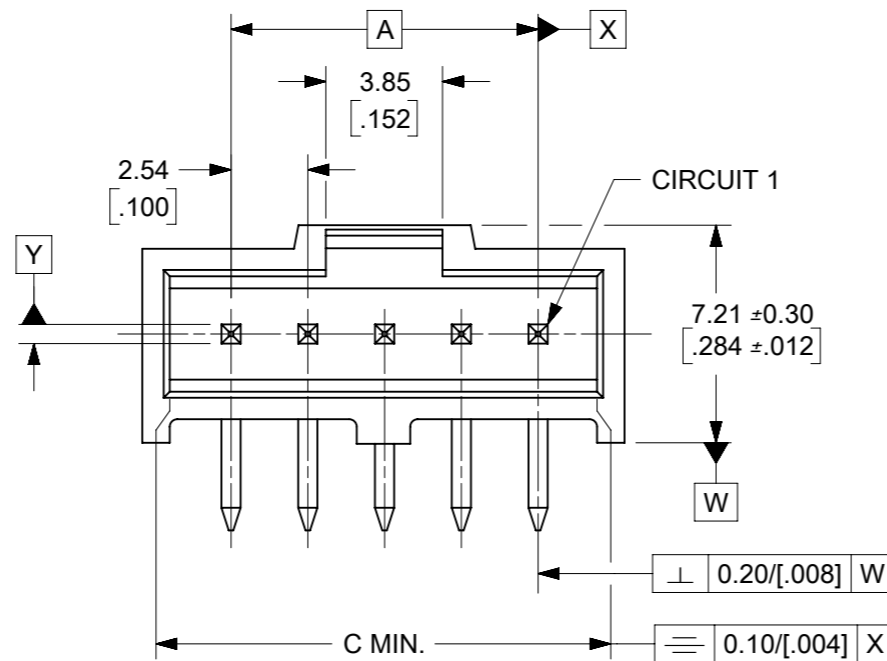
1. MATERIALS:
 - PIN: 0.650/[0.0255] SQ. BRASS WIRE
 - HOUSING : 15% GLASS FILLED POLYESTER
 - UL 94V-0 COLOR BLACK
2. FOR PLATING VERSIONS, SEE SHEET 2.
3. MEASUREMENT POINT FOR MINIMUM PLATING THICKNESS.
4. PRODUCT SPEC.: PS-99020-0001
5. RECOMMENDED PCB THICKNESS 1.6mm
6. SOLDER TAIL TO BE GAUGED.

THIS DRAWING CONTAINS INFORMATION THAT IS PROPRIETARY TO MOLEX ELECTRONIC TECHNOLOGIES, LLC AND SHOULD NOT BE USED WITHOUT WRITTEN PERMISSION											
DIMENSION UNITS		SCALE		CURRENT REV DESC: MIGRATED TO NX							
MM/INCH		NTS									
GENERAL TOLERANCES (UNLESS SPECIFIED)				EC NO: 624936		DRWN: ABABUPS		2019/09/27		C-GRID III SINGLE ROW STRAIGHT SHROUDED HEADER	
4 PLACES		±		CHK'D: MRAMAKRISHNA		2019/10/01		PRODUCT CUSTOMER DRAWING			
3 PLACES		± 0.004		APPR: MRAMAKRISHNA		2019/10/01		DOCUMENT NUMBER		DOC TYPE DOC PART REVISION	
2 PLACES		± 0.1		INITIAL REVISION:				SDA-90136		PSD 001 AH2	
1 PLACE		±		DRWN: KS		1987/10/30		MATERIAL NUMBER		CUSTOMER	
0 PLACES		±		APPR: MLONG		2011/04/15		SEE TABLE		GENERAL MARKET	
ANGULAR TOL ± 0.5°				DRAFT WHERE APPLICABLE MUST REMAIN WITHIN DIMENSIONS		THIRD ANGLE PROJECTION		DRAWING		SHEET NUMBER	
						A3-SIZE		90136		1 OF 3	

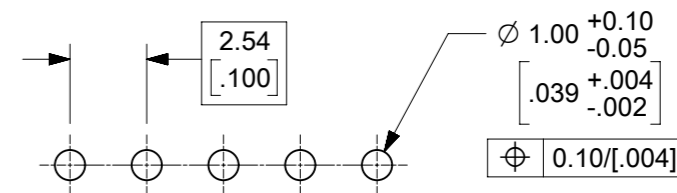
RIGHT ANGLE VERSION



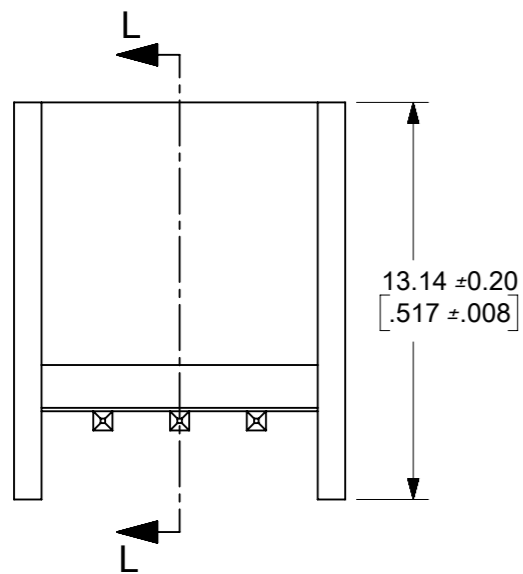
1 TO 3 CIRCUIT



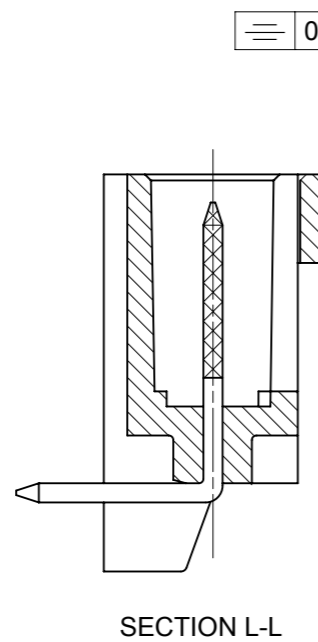
4 TO 32 CIRCUITS



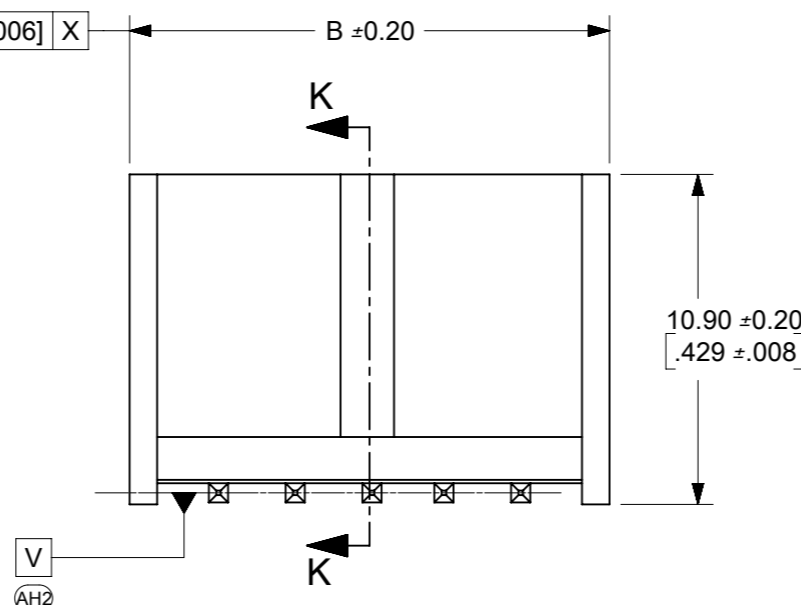
RECOMMENDED PCB PATTERN



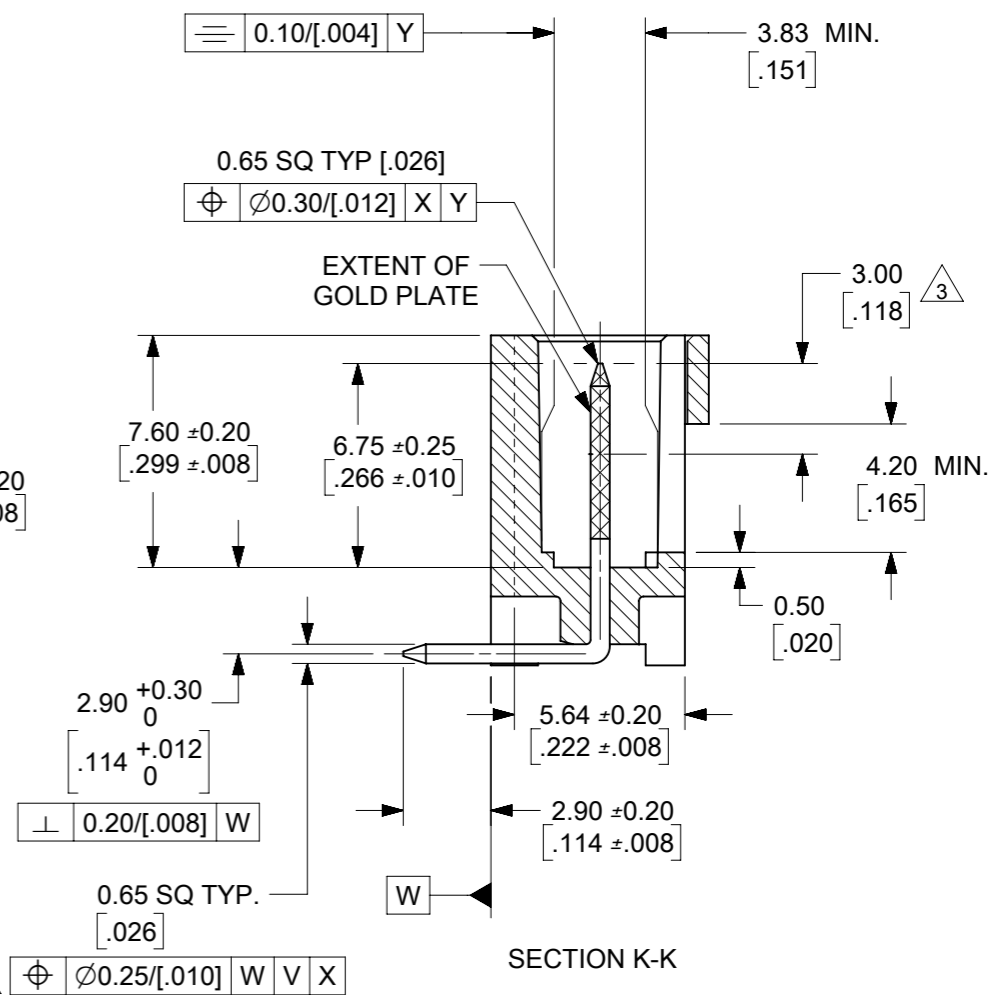
1 TO 6 CIRCUITS



SECTION L-L



7 TO 32 CIRCUITS



SECTION K-K

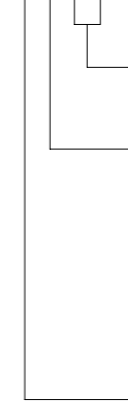
THIS DRAWING CONTAINS INFORMATION THAT IS PROPRIETARY TO MOLEX ELECTRONIC TECHNOLOGIES, LLC AND SHOULD NOT BE USED WITHOUT WRITTEN PERMISSION											
DIMENSION UNITS MM/INCH		SCALE NTS		CURRENT REV DESC: MIGRATED TO NX						molex	
GENERAL TOLERANCES (UNLESS SPECIFIED)				EC NO: 624936							
4 PLACES ±		±		DRWN: ABABUPS		2019/09/27				C-GRID III SINGLE ROW STRAIGHT SHROUDED HEADER	
3 PLACES ±		± 0.004		CHK'D: MRAMAKRISHNA		2019/10/01				PRODUCT CUSTOMER DRAWING	
2 PLACES ±		0.1 ±		APPR: MRAMAKRISHNA		2019/10/01				DOCUMENT NUMBER	
1 PLACE ±		±		INITIAL REVISION:		1987/10/30				SDA-90136	
0 PLACES ±		±		DRWN: KS		2011/04/15				DOC TYPE	
ANGULAR TOL ± 0.5°		± 0.5°		APPR: MLONG		2011/04/15				PSD	
DRAFT WHERE APPLICABLE MUST REMAIN WITHIN DIMENSIONS				THIRD ANGLE PROJECTION		DRAWING		SERIES		MATERIAL NUMBER	
				A3-SIZE		90136		CUSTOMER		GENERAL MARKET	
								SEE TABLE		SHEET NUMBER	
										2 OF 3	

10	9	8	7	6	5	4	3	2	1
CKTS	ASSEMBLY P/N	DIM. A	DIM. B	DIM. C					
1	90136-**01	-	5.89/[.232]	4.06/[.160]					
2	90136-**02	2.54/[.100]	8.43/[.332]	6.60/[.260]					
3	90136-**03	5.08/[.200]	10.97/[.432]	9.14/[.360]					
4	90136-**04	7.62/[.300]	13.51/[.532]	11.68/[.460]					
5	90136-**05	10.16/[.400]	16.05/[.632]	14.22/[.560]					
6	90136-**06	12.70/[.500]	18.59/[.732]	16.76/[.660]					
7	90136-**07	15.24/[.600]	21.13/[.832]	19.30/[.760]					
8	90136-**08	17.78/[.700]	23.67/[.932]	21.84/[.860]					
9	90136-**09	20.32/[.800]	26.21/[1.032]	24.38/[.960]					
10	90136-**10	22.86/[.900]	28.75/[1.132]	26.92/[1.060]					
11	90136-**11	25.4/[1.000]	31.29/[1.232]	29.46/[1.160]					
12	90136-**12	27.94/[1.100]	33.83/[1.332]	32.00/[1.260]					
13	90136-**13	30.48/[1.200]	36.37/[1.432]	34.54/[1.360]					
14	90136-**14	33.02/[1.300]	38.91/[1.532]	37.08/[1.460]					
15	90136-**15	35.56/[1.400]	41.45/[1.632]	39.62/[1.560]					
16	90136-**16	38.10/[1.500]	43.99/[1.732]	42.16/[1.660]					
17	90136-**17	40.64/[1.600]	46.53/[1.832]	44.70/[1.760]					
18	90136-**18	43.18/[1.700]	49.07/[1.932]	47.24/[1.860]					
19	90136-**19	45.72/[1.800]	51.61/[2.032]	49.78/[1.960]					
20	90136-**20	48.26/[1.900]	54.15/[2.132]	52.32/[2.060]					
21	90136-**21	50.80/[2.000]	56.69/[2.232]	54.86/[2.160]					
22	90136-**22	53.34/[2.100]	59.23/[2.332]	57.40/[2.260]					
23	90136-**23	55.88/[2.200]	61.77/[2.432]	59.94/[2.360]					
24	90136-**24	58.42/[2.300]	64.31/[2.532]	62.48/[2.460]					
25	90136-**25	60.96/[2.400]	66.85/[2.632]	65.02/[2.560]					
26	90136-**26	63.50/[2.500]	69.39/[2.732]	67.56/[2.660]					
27	90136-**27	66.04/[2.600]	71.93/[2.832]	70.10/[2.760]					
28	90136-**28	68.58/[2.700]	74.47/[2.932]	72.64/[2.860]					
29	90136-**29	71.12/[2.800]	77.01/[3.032]	75.18/[2.960]					
30	90136-**30	73.66/[2.900]	79.55/[3.132]	77.72/[3.060]					
31	90136-**31	76.20/[3.000]	82.09/[3.232]	80.26/[3.160]					
32	90136-**32	78.74/[3.100]	84.63/[3.332]	82.80/[3.260]					

NOTES

6. FOR PLATING DETAILS SEE SDES 99000-0003

90136 - X X X X



INDICATES NO. OF CIRCUITS

PLATING

- 1 - TYPE A
- 2 - TYPE E
- 3 - TYPE F
- 4 - TYPE G

STYLE - 1 - STRAIGHT ASSEMBLY

STYLE - 2 - RIGHT ANGLE ASSEMBLY

STYLE - 5 - STRAIGHT ASSEMBLY WITH VOIDS

STYLE - 7 - NON STANDARD PRODUCT

7. PLATING TYPES

1 - TYPE A

TIN 3.0µm MIN. OVER 1.27 - 2.54µm NICKEL.

2 - TYPE E

GOLD STRIPE 0.38 - 0.64µm IN SELECTED AREA (2 SIDES) & 3.0µm MIN TIN IN SELECTED AREA OVER 1.3 - 1.78µm NICKEL OVERALL.

3 - TYPE F

GOLD STRIPE 0.762 - 1.02µm IN SELECTED AREA (2 SIDES) & 3.0µm MIN TIN IN SELECTED AREA OVER 1.3 - 1.78µm NICKEL OVERALL.

4 - TYPE G

SELECTIVE GOLD PLATE. GOLD FLASH 0.05 - 0.10µm IN SELECTED AREA AND 3.0µm MIN - 5.0µm MAX TIN IN SELECTED AREA OVER 1.3 - 2.5µm NICKEL OVERALL.

THIS DRAWING CONTAINS INFORMATION THAT IS PROPRIETARY TO MOLEX ELECTRONIC TECHNOLOGIES, LLC AND SHOULD NOT BE USED WITHOUT WRITTEN PERMISSION									
DIMENSION UNITS MM/INCH		SCALE NTS		CURRENT REV DESC: MIGRATED TO NX				molex	
GENERAL TOLERANCES (UNLESS SPECIFIED)				EC NO: 624936					
				DRWN: ABABUPS		2019/09/27		C-GRID III SINGLE ROW STRAIGHT SHROUDED HEADER	
				CHK'D: MRAMAKRISHNA		2019/10/01			
				APPR: MRAMAKRISHNA		2019/10/01		PRODUCT CUSTOMER DRAWING	
				INITIAL REVISION:				DOCUMENT NUMBER	
				DRWN: KS		1987/10/30		SDA-90136	
				APPR: MLONG		2011/04/15		PSD 001 AH2	
ANGULAR TOL ± 0.5°				THIRD ANGLE PROJECTION		DRAWING		SERIES	
DRAFT WHERE APPLICABLE MUST REMAIN WITHIN DIMENSIONS				A3-SIZE		90136		MATERIAL NUMBER	
				CUSTOMER		GENERAL MARKET		SHEET NUMBER	
								3 OF 3	

DOCUMENT STATUS	P1	RELEASE DATE	2019/10/01	09:10:18
-----------------	----	--------------	------------	----------