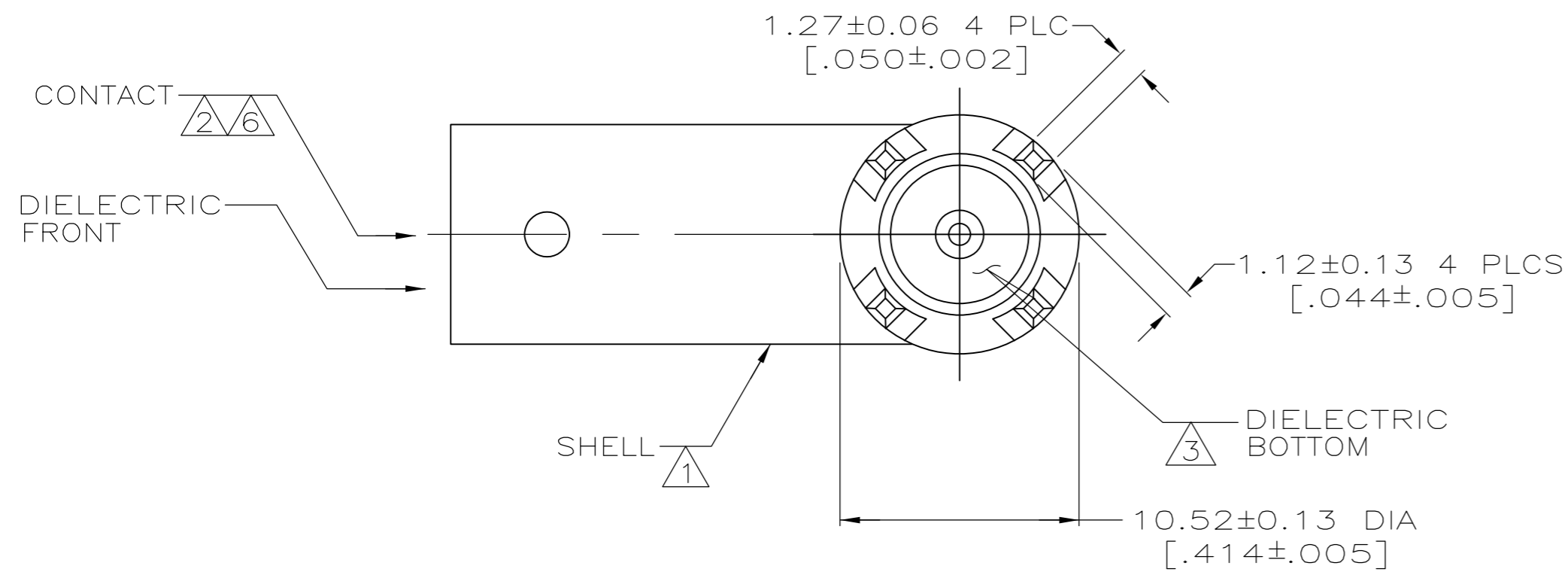
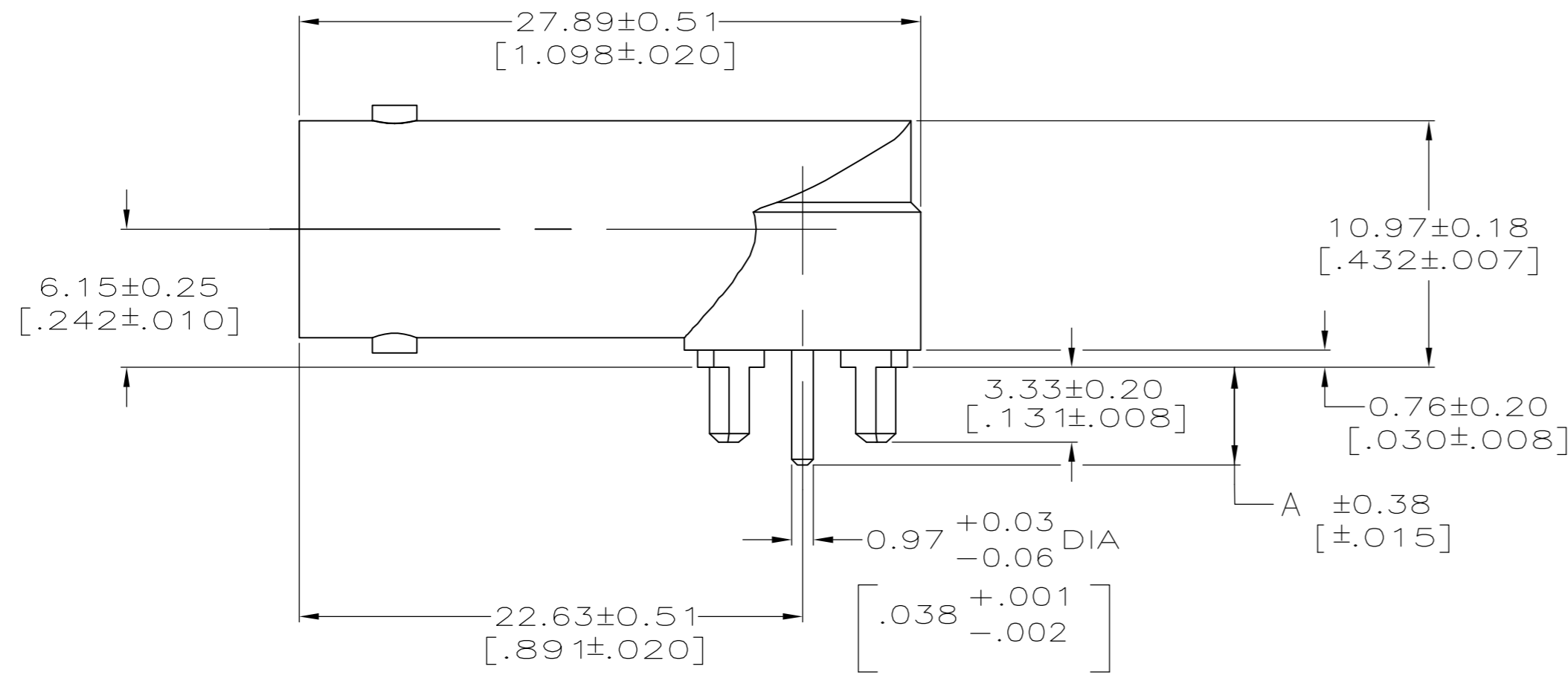
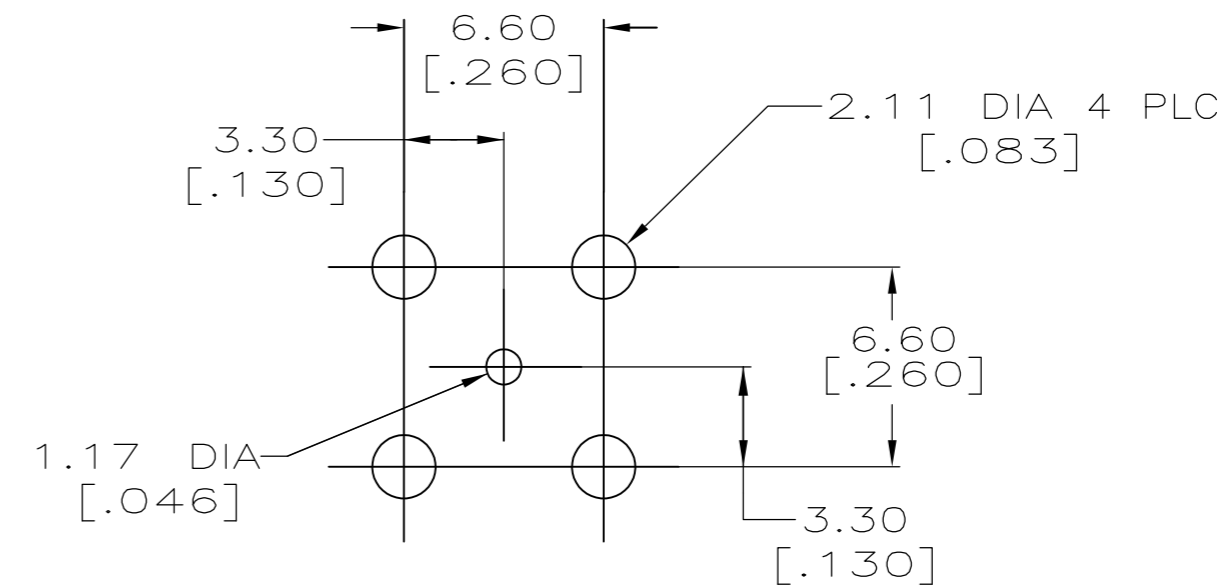


THIS DRAWING IS UNPUBLISHED. RELEASED FOR PUBLICATION
 © COPYRIGHT - By - ALL RIGHTS RESERVED.

| Loc | | DIST | | REVISIONS | | | |
|-----|-----|---------------------------|--|-----------|-----|------|--|
| P | LTR | DESCRIPTION | | DATE | DWN | APVD | |
| | B3 | REVISED PER ECO-11-005030 | | 11MAR11 | RK | HMR | |
| | C | ECO-12-018113 | | 27DEC2012 | TD | MY | |



- ① ZINC PER QQ-Z-363.
- ② BERYLLIUM COPPER PER QQ-C-530.
- ③ PTFE PER MIL-P-19468.
- ④ NICKEL PLATE PER QQ-N-290, 3.81µm [.000150] MINIMUM THICK.
- ⑤ TIN PLATE PER ASTM-B-545, 3.04µm [.000120] MINIMUM THICK OVER NICKEL PLATE PER MIL-C-26074, 7.62µm [.000300] MINIMUM THICK.
- ⑥ GOLD PLATE PER MIL-G-45204, 1.27µm [.000050] MINIMUM THICK.
- ⑦ INTERFACE PER MIL-C-39012.
- ⑧ POLYMETHYLPENTENE, GENERAL PURPOSE



PCB CONFIGURATION

| | | | | |
|----------|-------------|---------------|-----------------------------|-------------|
| OBSOLETE | 3.33 [.131] | ④ | ⑤ | 5413631-5 |
| | 3.33 [.131] | ④ | ⑧ | 5413631-3 |
| | 4.34 [.171] | ⑤ | ③ | 5413631-2 |
| | 4.34 [.171] | ④ | ⑧ | 5413631-1 |
| | A | FINISH: SHELL | MATERIAL: DIELECTRIC, FRONT | PART NUMBER |

| | | | | | |
|---|--|------------------|---------------|---------------|---|
| THIS DRAWING IS A CONTROLLED DOCUMENT. | | DWN | B.MCMASTER | 03JAN05 | TE Connectivity |
| DIMENSIONS: INCHES | | CHK | J.LIPPERT | 03JAN05 | |
| TOLERANCES UNLESS OTHERWISE SPECIFIED: | | APVD | J.LIPPERT | 03JAN05 | |
| 0 PLC ± - 1 PLC ± - 2 PLC ± 0.08 [.003] 3 PLC ± - 4 PLC ± - ANGLES ± - | | PRODUCT SPEC | NAME | | |
| MATERIAL SEE NOTES 1-3 | | FINISH | SEE NOTES 4-6 | | JACK, RIGHT ANGLE, PCB, 50 OHM, SERIES BNC |
| | | WEIGHT | - | SIZE | A2 |
| | | CUSTOMER DRAWING | SCALE | 4:1 | SHEET |
| | | | | CAGE CODE | 00779 |
| | | | | DRAWING NO | C=5413631 |
| | | | | RESTRICTED TO | - |
| | | | | SCALE | 4:1 |
| | | | | SHEET | 1 of 1 |
| | | | | REV | C |

Mouser Electronics

Authorized Distributor

Click to View Pricing, Inventory, Delivery & Lifecycle Information:

[TE Connectivity:](#)

[5413631-2](#)