

## Interactive Catalog Supplements Catalog PDFs

If you need detailed product information, or help choosing the right product for your application, see our [Interactive Catalog](#). Use the [Interactive Catalog](#) to access the most complete and up-to-date information available.

The [Interactive Catalog](#) provides an extensive collection of product specifications, application data, and technical literature that can be searched based on criteria you select.

This PDF catalog information was published in November 2000.



Sensing and Control  
[Interactive  
Catalog...](#)

**Click this icon to try  
the Interactive Catalog.**

---

### Sensing and Control

Honeywell Inc.

11 West Spring Street

Freeport, IL 61032

# Limit and Enclosed Switches

## Compact Limit Switches

SL1 Series



### FEATURES

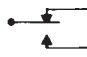
- Ideal source of replacement parts for imported machine tools or transplant factories
- NEMA 3,4, 13 and IEC IP 67 sealing
- Smaller size saves space
- Rugged Zinc diecast housing
- Wide product selection to suit many applications
- Snap-in terminal enclosure makes mounting and wiring easy
- Temperature ranges: Standard -10 to +70°C (14 to 158°F); Low temp. with roller lever -40 to +70°C (-40 to 158°F); Low temp. with roller plunger -50 to 70°C (-60 to +158°F)

SL1 series compact limit switches are sealed, sensitive, and have a long life. The compact size makes them suitable for the total miniaturization of machinery or equipment.

Versions are available with: gold-clad cross-point contacts, prewiring, lamp indications, seal boots with roller plungers, and a variety of actuating possibilities.

For rapid response – off the shelf service, all **bold face** listings are normally stocked items.

### CIRCUITRY AND ELECTRICAL RATING

	Listing	Rating	Contact
 Single-Pole Double-Throw	SL1-□	5A-125, 250VAC	Silver
	SL1-□ K	0.1A-125VAC 0.1A-30VDC	Gold Clad Cross Point

Note: Conduit will seal to cable diameters from 5.8mm to 9.6mm.

### ORDER GUIDE AND MOUNTING DIMENSIONS

UL/CSA listings available by adding "2" to catalog listing.  
Example: SL1-A2

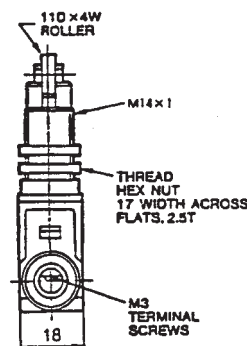
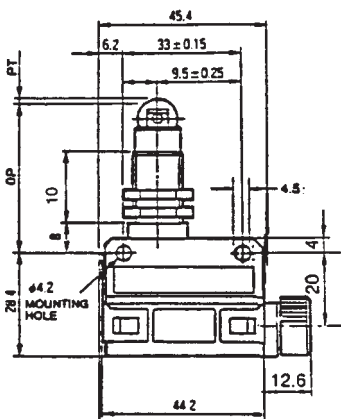
UL Recognized, file #E37559

CSA Certified, file #LR61344, LR21098, LR47132, LR61643

#### ROLLER PLUNGER

Catalog Listing	<b>SL1-A</b>
	SL1-AK

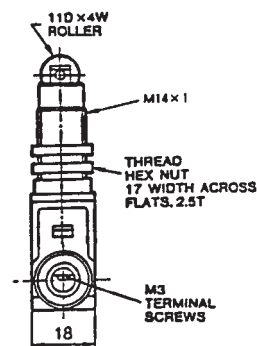
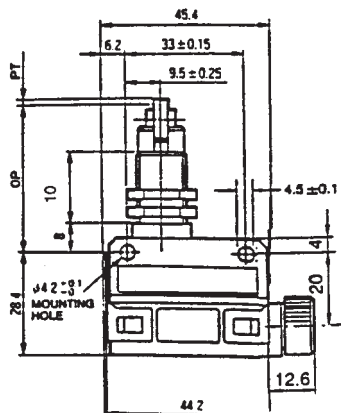
O.F. (max.)	1,200 g
R.F. (min.)	500 g
P.T. (max.)	1.5 mm
O.T. (min.)	3 mm
D.T. (max.)	0.1 mm
O.P.	31.4 mm



#### CROSS ROLLER PLUNGER

Catalog Listing	<b>SL1-D</b>
	SL1-DK

O.F. (max.)	1,200 g
R.F. (min.)	500 g
P.T. (max.)	1.5 mm
O.T. (min.)	3 mm
D.T. (max.)	0.1 mm
O.P.	31.4 mm



Characteristics: O.F. - Operating Force; R.F. - Release Force; P.T. - Pretravel; O.T. - Overtravel; D.T. - Differential Travel; N - Newtons

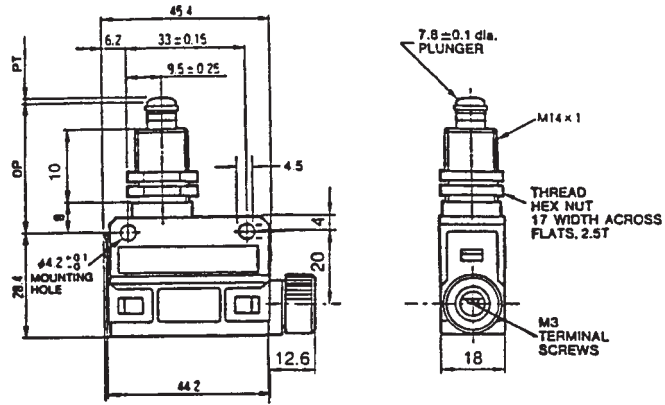
Limit/Enclosed



### STRAIGHT PLUNGER

Catalog Listing	SL1-H
	SL1-HK

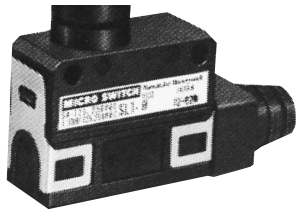
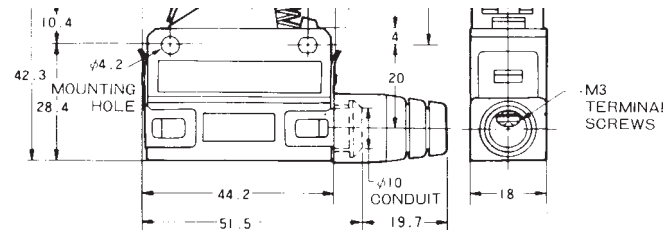
O.F. (max.)	1,200 g
R.F. (min.)	500 g
P.T. (max.)	1.5 mm
O.T. (min.)	3 mm
D.T. (max.)	0.1 mm
O.P.	25.4 mm



### ROLLER LEVER

Catalog Listing	SL1-P
	SL1-PK

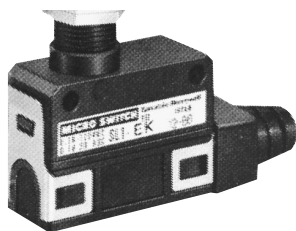
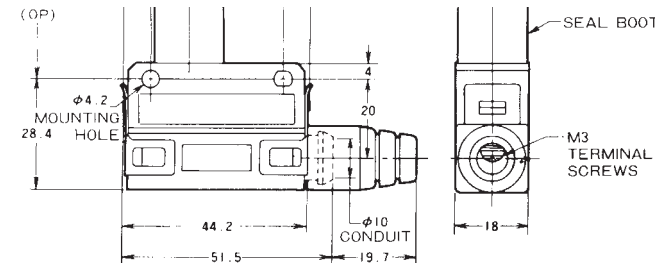
O.F. (max.)	400 g
R.F. (min.)	80 g
P.T. (max.)	2 mm
O.T. (min.)	4 mm
D.T. (max.)	0.3 mm
O.P.	23.1 mm



### ROLLER PLUNGER WITH SEAL BOOT

Catalog Listing	SL1-B
	SL1-BK

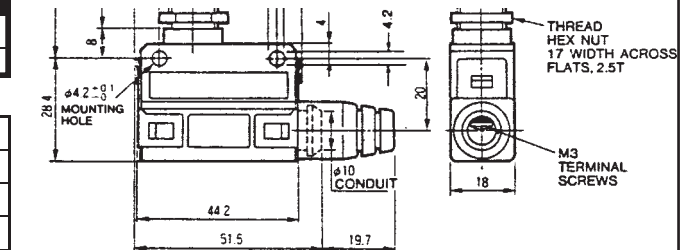
O.F. (max.)	1,200 g
R.F. (min.)	500 g
P.T. (max.)	1.5 mm
O.T. (min.)	3 mm
D.T. (max.)	0.1 mm
O.P.	41.4 mm



### LONG ROLLER PLUNGER

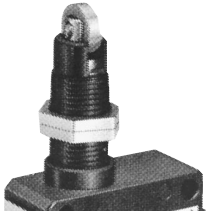
Catalog Listing	SL1-E
	SL1-EK

O.F. (max.)	1,200g
R.F. (min.)	500g
P.T. (max.)	1.5 mm
O.T. (min.)	3 mm
D.T. (max.)	0.1 mm
O.P.	41,4 mm



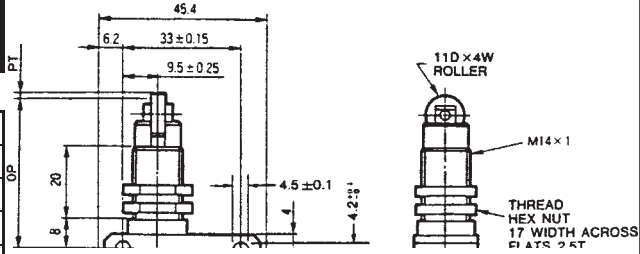
## Compact Limit Switches

### LONG CROSS ROLLER PLUNGER

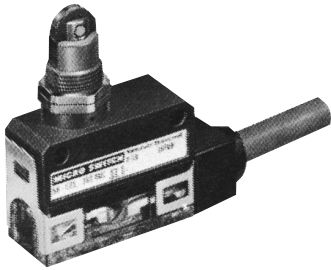


Catalog Listing	SL1-K
	SL1-KK

O.F. (max.)	1,200g
R.F. (min.)	500g
P.T. (max.)	1.5mm
O.T. (min.)	3mm
D.T. (max.)	0.1mm
O.P.	41,4mm



### COMPACT LIMIT SWITCHES WITH LAMP INDICATION



#### FEATURES

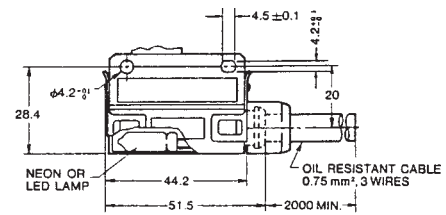
- Available with neon lamp for 100-250 VAC. Available with LED lamp for 24 VDC
- Lamp indication clearly visible from most angles through the rugged transparent nylon enclosure
- Provided with oil resistant vinyl cabtyre cable

### ORDER GUIDE

Specification	Catalog Listing	Wiring
<ul style="list-style-type: none"> <li>• Neon lamp</li> <li>• 100 to 250 VAC</li> <li>• Silver contact</li> </ul>	SL1-□ EXG2	
<ul style="list-style-type: none"> <li>• LED lamp</li> <li>• 24 VDC</li> <li>• Gold clad</li> </ul>	SL1-□ KFXG2	

### MOUNTING DIMENSIONS

(For reference only) Dimensions - mm



# Mouser Electronics

Authorized Distributor

Click to View Pricing, Inventory, Delivery & Lifecycle Information:

[Honeywell:](#)

[SL1-A](#) [SL1-B](#) [SL1-BK](#) [SL1-D](#) [SL1-E](#) [SL1-F](#) [SL1-H](#) [SL1-K](#) [SL1-P](#) [SL1-DK](#) [SL1-PK](#) [SL1-T](#)