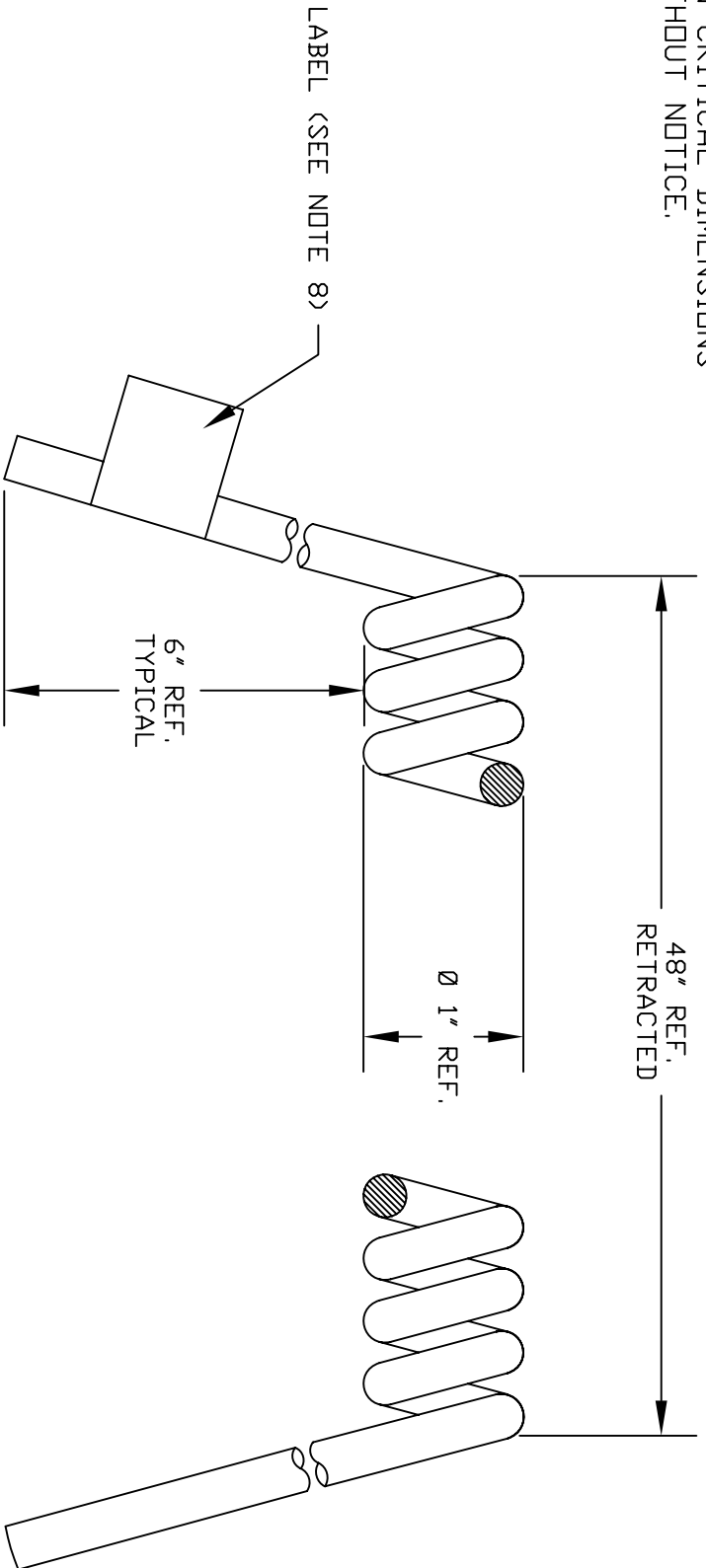


VOLEX RESERVES THE RIGHT TO ALTER NON-CRITICAL DIMENSIONS WITHOUT NOTICE.



**NOTES**

- 1) CORDAGE: 18/3 SVD, 60°C, BLACK OUTER JACKET
- 2) INSULATED CONDUCTOR INSULATION COLORS WILL BE BLACK, WHITE AND GREEN.
- 3) APPROVALS: UL/CSA
- 4) FLAME RATING: FT2
- 5) CORDAGE D.D.: .275" REF.
- 6) 25 PCS/CARTON
- 7) ALL DIMENSIONS IN INCHES UNLESS OTHERWISE NOTED.
- 8) CORD SET LABEL WILL HAVE VOLEX LOGO AND PART NUMBER.

REV	DESCRIPTION	DATE
3	CHANGE CARTON QTY (WAS 30)	9/6/07
2	ADDED CORD LABEL	8/16/07
1	C.U.D - FIRST ISSUE	8/9/07

SCALE:	ECD:	ITEM DESCRIPTION
NDT TO SCALE	N/A	CORDSET - NORTH AMERICAN RETRACTILE (4')

TOLERANCE UNLESS OTHERWISE SPECIFIED	APPROVED	DRAWN BY	DATE:
.XXX ± .005 .XX ± .02 .X ± .03 FRACT. ± 1/32 ANGULAR ± 1/2°	STC	STC	8/9/07

CUD

FORM IN71-07 REV.A

**Proprietary Notice:**  
This document is the property of Volex Incorporated. The information contained herein is not to be disclosed to anyone without the express written consent of Volex Inc.

**MATERIAL:**  
JACKET: RUBBER  
COLD: BLACK

**FINISH:**  
JACKET: SMOOTH

SCALE:	ECD:	ITEM DESCRIPTION
NDT TO SCALE	N/A	CORDSET - NORTH AMERICAN RETRACTILE (4')

TOLERANCE UNLESS OTHERWISE SPECIFIED	APPROVED	DRAWN BY	DATE:
.XXX ± .005 .XX ± .02 .X ± .03 FRACT. ± 1/32 ANGULAR ± 1/2°	STC	STC	8/9/07

6479

# Mouser Electronics

Authorized Distributor

Click to View Pricing, Inventory, Delivery & Lifecycle Information:

[Volex:](#)

[6479](#)