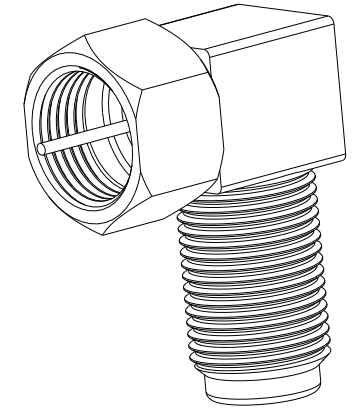
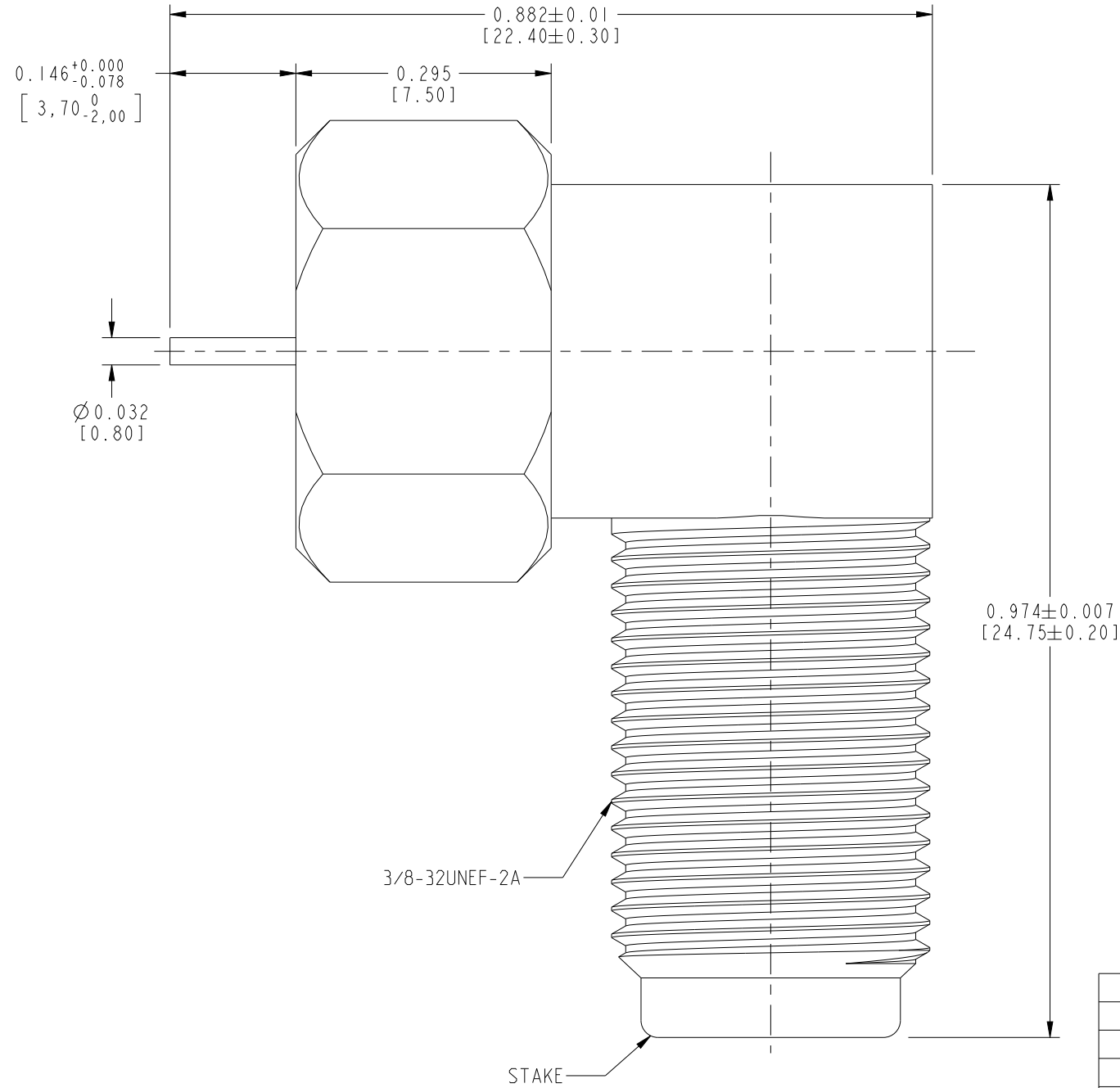
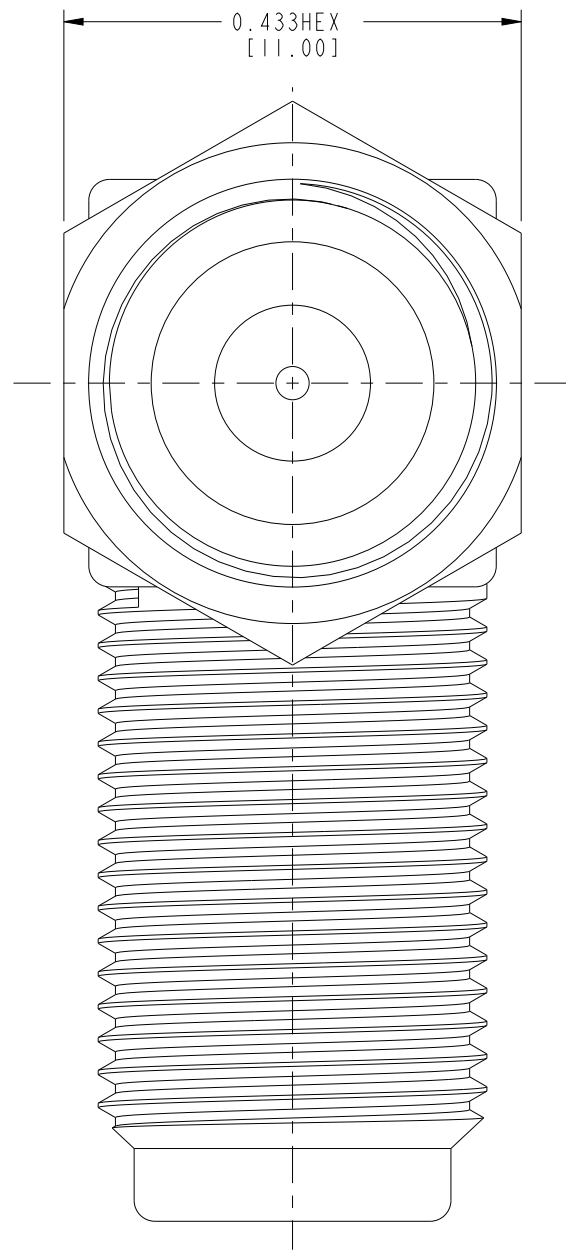


NOTE:

1. UNLESS OTHERWISE SPECIFIED, TOLERANCES ARE ± 0.004 [0.1 MM]
2. RETURN LOSS - 1GHz > 18dB, 2GHz > 12dB, 3GHz > 8dB
3. INSERTION LOSS - 1GHz < 0.2dB, 2GHz < 0.25dB, 3GHz < 0.9dB

222F-90		REVISIONS			
DRAWING NO.	REV	DESCRIPTION	DATE	ECO	APPR
THIRD ANGLE PROJ.	A	RELEASE TO MFG.	07-Sep-09	--	HR
	B	UPDATED DIMENSIONS	02-Feb-12	2272	CL



SCALE 2.000

7	CAP	ALUMINUM	1	
6	HEX NUT	BRASS	1	NICKEL
5	CONTACT	PHOSPHOR BRONZE	1	TIN
4	BODY-REAR	ZINC	1	NICKEL
3	CONTACT PIN	BRASS	1	TIN
2	INSULATOR	DELTRIN	1	
1	BODY-FRONT	BRASS	1	NICKEL
S.NO.	DESCRIPTION	MATERIAL	QTY	FINISH

UNLESS OTHERWISE SPECIFIED, DIMENSIONS ARE IN INCHES AND TOLERANCES ARE: 2 PLACE DECIMAL ± 0.015 (0,381 mm) 3 PLACE DECIMAL ± 0.005 (0,127 mm) ANGLES $\pm 1^\circ$	MATERIAL	DRAWN GOPI M	DATE 23-Jan-12	TITLE F MALE TO FEMALE R/A ADAPTER	Amphenol Connex	
	REFERENCE TASK - 847	ENGINEER CLEMENT	DATE 07-Sep-09			
NOTICE - These drawings, specifications, or other data (1) are, and remain the property of Amphenol Corp. (2) must be returned upon request; and (3) are confidential and not to be disclosed to any person other than those to whom they are given by Amphenol Corp. The furnishing of these drawings, specifications, or other data by Amphenol Corp., or to any other person to anyone for any purpose is not to be regarded by implication or otherwise in any manner licensing, granting rights or permitting such holder or any other person to manufacture, use or sell any product, process or design, patented or otherwise, that may in any way be related to or disclosed by said drawings, specifications, or other data.		APPROVED	DATE		SCALE: 5.5:1	SHEET 1 OF 1
		CAD FILE			DWG SIZE B	DRAWING NO. 222F-90

Mouser Electronics

Authorized Distributor

Click to View Pricing, Inventory, Delivery & Lifecycle Information:

[Amphenol:](#)

[222F-90](#) [222122](#)