

THIS DRAWING IS UNPUBLISHED.

RELEASED FOR PUBLICATION

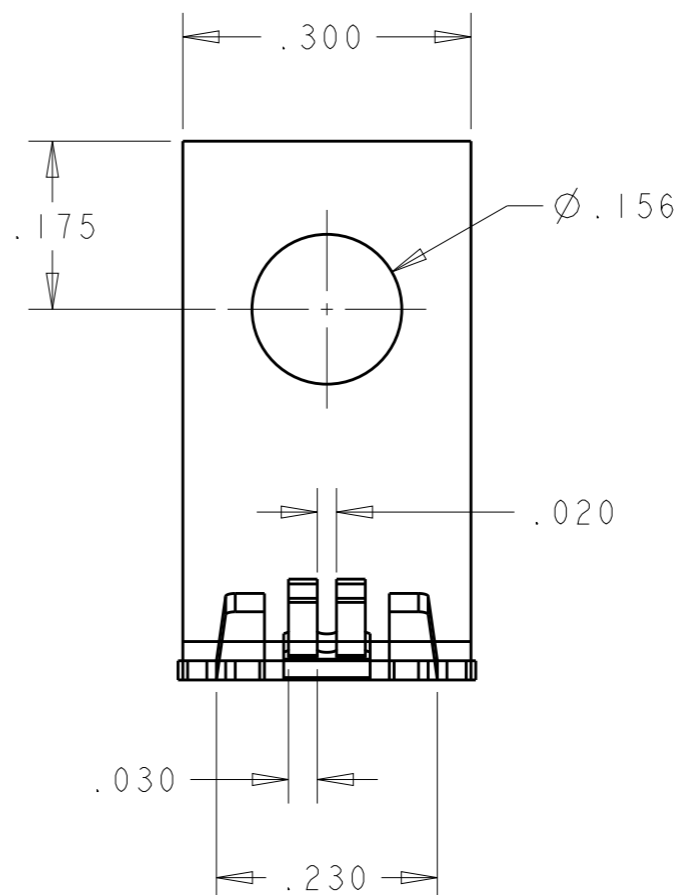
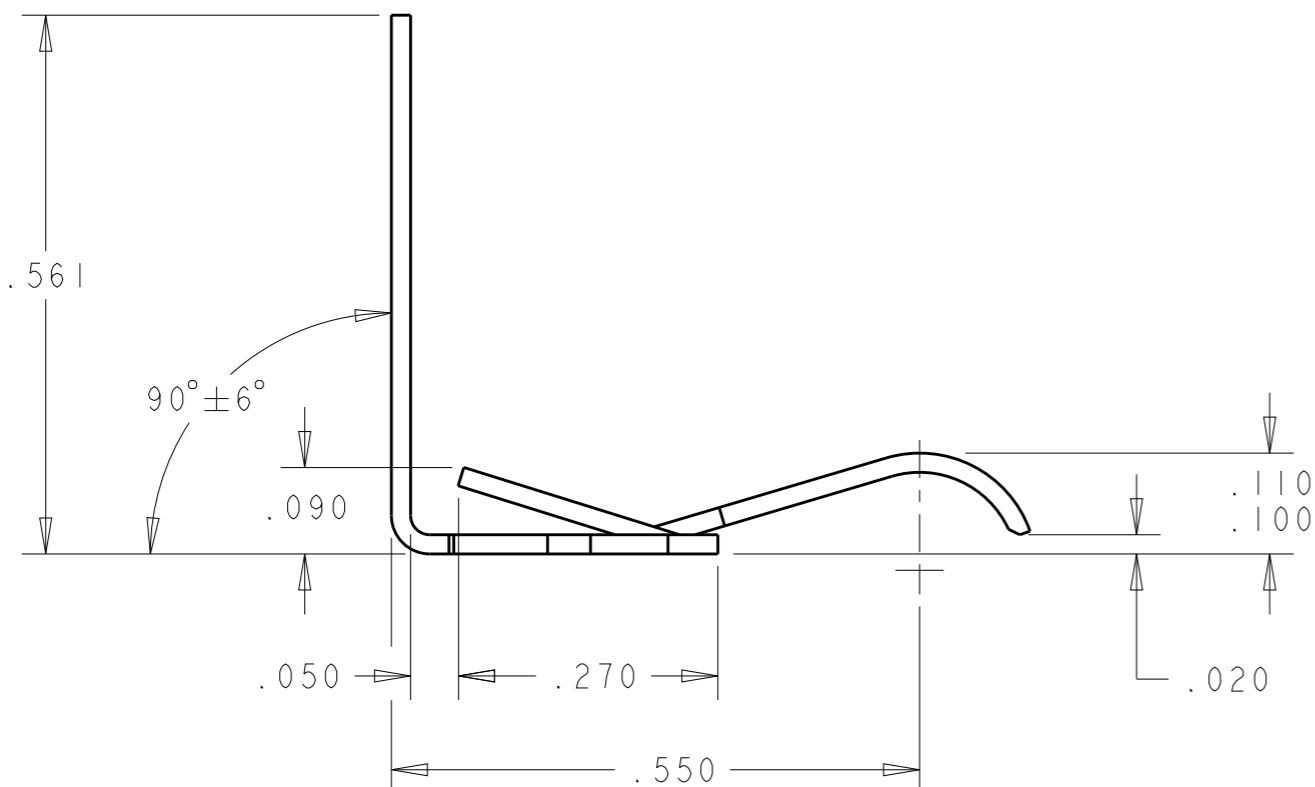
20

© COPYRIGHT 20 BY -

ALL RIGHTS RESERVED.

REVISIONS

P	LTR	DESCRIPTION	DATE	DWN	APVD
	M	REVISED PER ECO-14-004196	17JUN2014	NK	MM



	FINISH	PART NUMBER
	TIN OVER NICKEL	1-350056-2
OBSOLETE	.000015 GOLD OVER NICKEL	350056-4
	.000030 GOLD OVER NICKEL	350056-3
	TIN-LEAD OVER NICKEL	350056-2
OBSOLETE	GOLD FLASH OVER NICKEL	350056-1

THIS DRAWING IS A CONTROLLED DOCUMENT.

DWN S. WELDON 31 JAN 2006

CHK S. HEADER 31 JAN 2006

APVD S. HEADER 31 JAN 2006

PRODUCT SPEC

APPLICATION SPEC

WEIGHT

Customer Drawing

DIMENSIONS:
INCHES



TOLERANCES UNLESS OTHERWISE SPECIFIED:

- 0 PLC ±0
- 1 PLC ±0
- 2 PLC ±.02
- 3 PLC ±.005
- 4 PLC ±.0005
- ANGLES ±0° 30'

MATERIAL

FINISH



TE Connectivity

NAME CONTACT, LOOSE PIECE, MULTIPLE TAP

SIZE CAGE CODE DRAWING NO RESTRICTED TO

A300779 C-350056

SCALE 5:1 SHEET 1 OF 1 REV M

Mouser Electronics

Authorized Distributor

Click to View Pricing, Inventory, Delivery & Lifecycle Information:

[TE Connectivity:](#)

[1-350056-2](#)