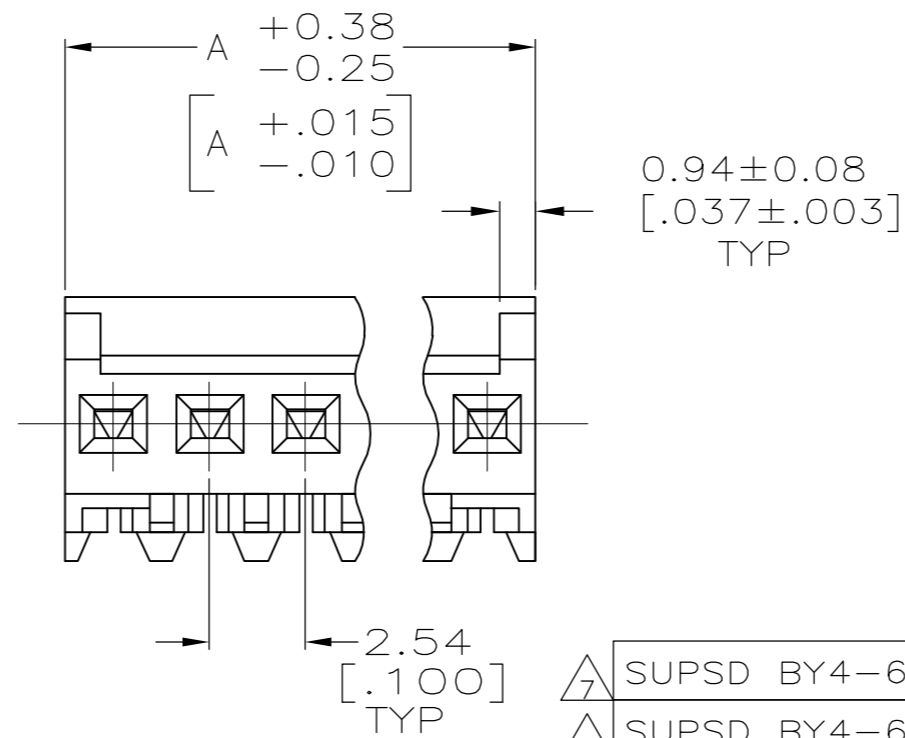
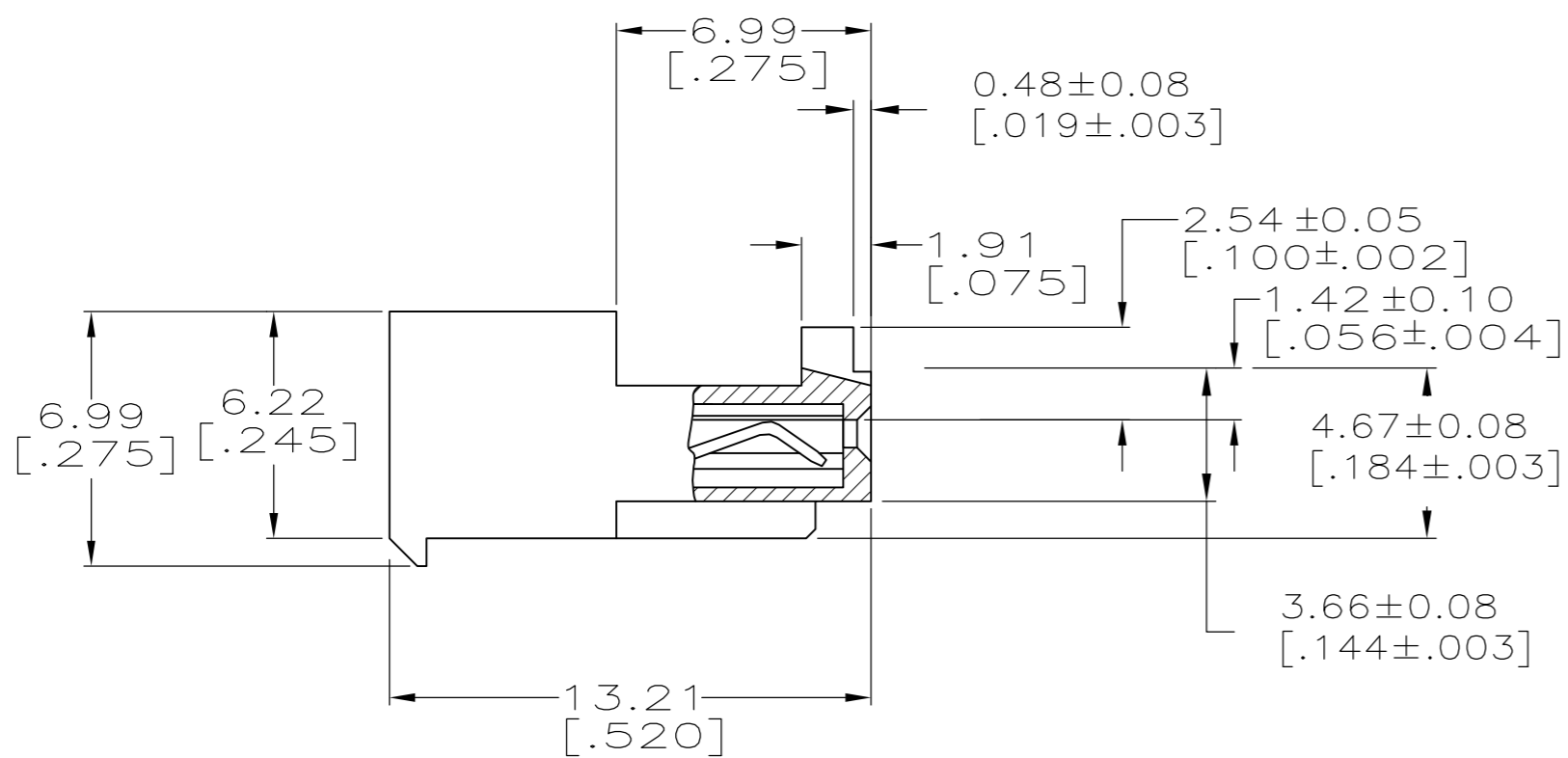
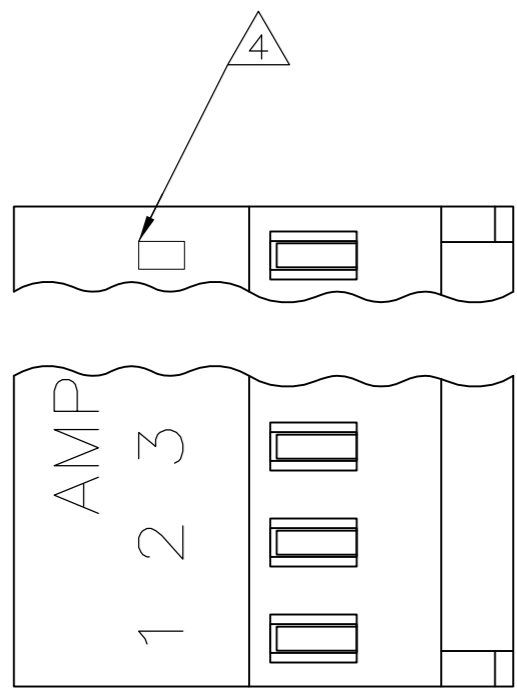


THIS DRAWING IS UNPUBLISHED. RELEASED FOR PUBLICATION  
 © COPYRIGHT - By - ALL RIGHTS RESERVED.

LOC		DIST		REVISIONS			
P	LTR	DESCRIPTION	DATE	DWN	APVD		
	H2	REVISED PER ECO-11-004820	11MAR11	RK	HMR		



LEAD	LEAD		
	LEAD	NO. OF POSN	ASSEMBLY
38.10 [1.500]	15	4-644083-5	
35.56 [1.400]	14	4-644083-4	
33.02 [1.300]	13	4-644083-3	
30.48 [1.200]	12	4-644083-2	
27.94 [1.100]	11	4-644083-1	
25.40 [1.000]	10	4-644083-0	
22.86 [.900]	9	3-644083-9	
20.32 [.800]	8	3-644083-8	
17.78 [.700]	7	3-644083-7	
15.24 [.600]	6	3-644083-6	
12.70 [.500]	5	3-644083-5	
10.16 [.400]	4	3-644083-4	
7.62 [.300]	3	3-644083-3	
5.08 [.200]	2	3-644083-2	
CONTAINS LEAD			
38.10 [1.500]	15	1-644083-5	
35.56 [1.400]	14	1-644083-4	
33.02 [1.300]	13	1-644083-3	
30.48 [1.200]	12	1-644083-2	
27.94 [1.100]	11	1-644083-1	
25.40 [1.000]	10	1-644083-0	
22.86 [.900]	9	644083-9	
20.32 [.800]	8	644083-8	
17.78 [.700]	7	644083-7	
15.24 [.600]	6	644083-6	
12.70 [.500]	5	644083-5	
10.16 [.400]	4	644083-4	
7.62 [.300]	3	644083-3	
5.08 [.200]	2	644083-2	
DIM A	NO. OF POSN	ASSEMBLY	

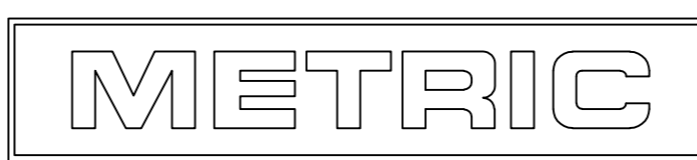
1 MATERIAL: CONNECTOR-NYLON UL94V-0 (BLACK)  
 CONTACTS-0.30 [.012] THICK COPPER ALLOY  
 BRIGHT TIN-LEAD 0.00203 [.000080] MIN THICK FOR CONTACTS  
 644083-2 THRU 1-644083-5  
 MATTE WHISKER MITIGATED TIN PLATE 0.00203 [.000080] MIN THICK  
 OVER 0.00076 [.000030] MIN THICK NICKEL FOR CONTACTS  
 3-644083-2 THRU 4-644083-5

2. CONTACTS ACCEPT 22 AWG WIRE WITH 1.52 [.060] MAX INSULATION DIAMETER.  
 3. CONTACTS MUST ACCEPT 0.64±0.03 [.025±.001] SQUARE POST AND REMAIN LOCKED IN POSITION.  
 4 IDENTIFICATION NUMBER FOR LAST CIRCUIT MAY NOT APPEAR ON ALL ASSEMBLIES.

5. DIMENSIONS IN BRACKETS ARE IN INCHES.

6. HOUSING FEATURES ARE: CLOSED END WITH LOCKING RAMP AND WITH POLARIZING TAB.

7 OBSOLETE PARTS: OBSOLETE CIS STREAMLINING PER D.RENAUD/D.SINISI



- ▲ SUPSD BY4-644083-5
- ▲ SUPSD BY4-644083-4
- ▲ SUPSD BY4-644083-2
- ▲ SUPSD BY3-644083-9
- ▲ SUPSD BY3-644083-7

THIS DRAWING IS A CONTROLLED DOCUMENT.		DWN S. CARPENTER 12JUN2003	TE Connectivity	
DIMENSIONS: mm [INCHES]		CHK D. BOSSI 12JUN2003		
TOLERANCES UNLESS OTHERWISE SPECIFIED:		APVD D. BOSSI 12JUN2003	NAME MTA 100 CONNECTOR ASSEMBLY, 22 AWG, UL94V-0, SPECIAL	
0 PLC ±		PRODUCT SPEC 108-1050	SIZE A2	CAGE CODE 00779
1 PLC ±		APPLICATION SPEC 114-1019	DRAWING NO C-644083	RESTRICTED TO -
2 PLC ±		MATERIAL ▲	WEIGHT	SCALE 5:1
3 PLC ± 0.13 [.005]		FINISH ▲	CUSTOMER DRAWING	SHEET 1 of 1
4 PLC ±				REV H2
ANGLES ±				

# Mouser Electronics

Authorized Distributor

Click to View Pricing, Inventory, Delivery & Lifecycle Information:

[TE Connectivity:](#)

[644083-3](#)