



*Quality Products. Service Excellence.*

## Type 4, 4X Polyester Pushbutton Enclosure *PJPBLC Series*



**Panel  
Sold  
Separately**



### Application

- Designed for use as instrument enclosures, electric, hydraulic or pneumatic control housings, electrical junction boxes or terminal wiring enclosures.
- Provides outstanding insulation and protection where equipment may be hosed down or be very wet.
- Ideal in applications with high temperatures or highly corrosive environments.

### Standards

- UL 508A Type 1, 2, 3, 4, 4X, 12 and 13
- CSA Type 1, 2, 3, 4, 4X, 12 and 13
- **Complies with**
  - NEMA Type 1, 2, 3, 4, 4X, 12 and 13
  - IEC 60529, IP66

### Construction

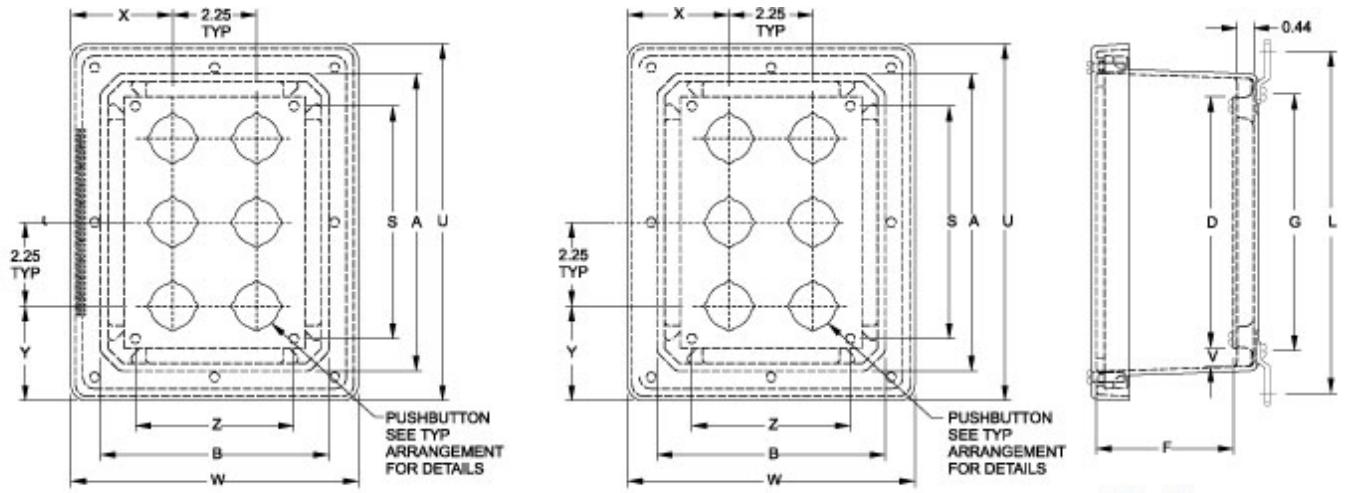
- Molded fiberglass polyester enclosure with matching cover is easily punched, cut, or drilled.
- Standard JIC sizes under 18" x 16".
- Threaded brass inserts are provided for optional inner panel or terminal kit mounting.
- Cover is fastened with captive stainless steel screws in threaded brass inserts.
- Captive oil resistant gasket provides a positive seal.
- Threaded brass inserts are provided for mounting feet to the rear of the enclosure.
- Stainless steel mounting brackets and hardware are provided for mounting to the rear of the enclosure.
- Enhanced UV inhibitors protect against outdoor weathering.
- Operating temperatures between 130°C and -40°C (266°F to -40°F).
- Impact index of 6.78J (5 ft/lb).
- For corrosion resistance information, please refer to table in **Technical Information**.

### Finish

- Fiberglass polyester material has a gray finish.
- Optional inner panels are available in white powder coated finished steel or unfinished aluminum.

### Accessories

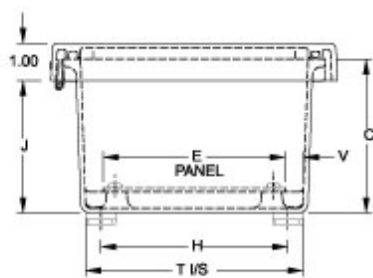
- Inner Panels
- Terminal Kit Assemblies



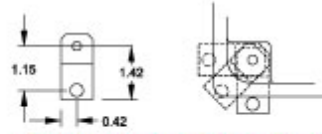
**Top View  
Hinged Screw Cover**

**Top View  
Lift Off Screw Cover**

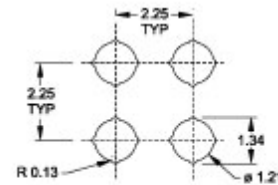
**Side View**



**Front View**

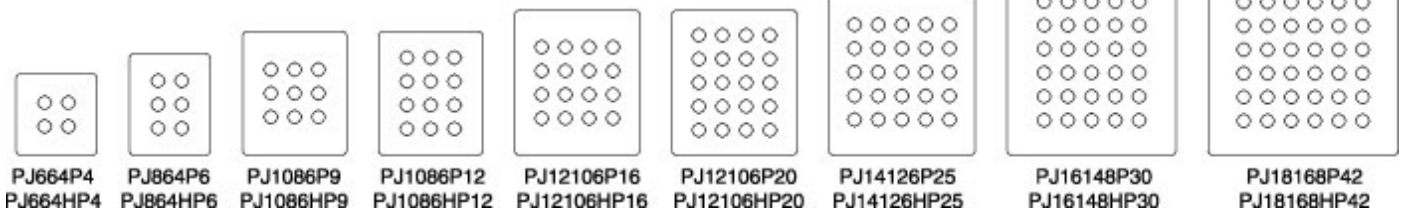


**Optional Mounting Feet  
Locations**



**Typical Pushbutton  
Arrangement**

**Thermal Index**  
130°C to -40°C  
(266°F to -40°F)  
**Impact Index**  
6.78J (5 ft/lb)



Lift Off Cover	Hinged Cover	Overall Dimensions			Panel Size				Center			
Part No.	Part No.	A	B	C	D	E	F	G	H	J	S	Z
PJ664P4	PJ664HP4	6.10	6.10	4.18	4.88	4.88	3.76	5.01	5.01	3.52	4.25	4.25
PJ864P6	PJ864HP6	8.00	6.12	4.13	6.75	4.88	3.68	6.89	5.01	3.47	6.25	4.25
PJ1084P9	PJ1084HP9	10.13	8.26	4.13	8.75	6.88	3.68	8.89	7.01	5.47	8.25	6.25
PJ1086P9	PJ1086HP9	10.13	8.26	6.13	8.75	6.88	5.68	8.89	7.01	5.47	8.25	6.25
PJ1086P12	PJ1086HP12	10.13	8.26	6.13	8.75	6.88	5.68	8.89	7.01	5.47	8.25	6.25
PJ12106P16	PJ12106HP16	12.13	10.26	6.13	10.75	8.88	5.68	10.89	9.01	5.47	10.25	8.25
PJ12106P20	PJ12106HP20	12.13	10.26	6.13	10.75	8.88	5.68	10.89	9.01	5.47	10.25	8.25
PJ14126P25	PJ14126HP25	14.13	12.26	6.13	12.75	10.88	5.68	12.89	11.01	5.47	12.25	10.25
PJ16148P30	PJ16148HP30	16.27	14.40	8.13	14.75	12.88	7.68	14.89	13.01	7.47	14.25	12.25
PJ18168P42	PJ18168HP42	18.40	16.40	8.13	16.88	14.88	7.68	16.97	14.97	7.47	16.25	14.25

Lift Off Cover	Hinged Cover	Optional			Steel Panel			No.		
Part No.	Part No.	L	T	V	U	W	Part No.	Holes	X	Y
PJ664P4	PJ664HP4	7.32	5.83	0.49	7.69	7.69	14R0505	4	2.72	2.72
PJ864P6	PJ864HP6	9.19	5.85	0.50	9.59	7.71	14R0705	6	2.73	2.55
PJ1084P9	PJ1084HP9	11.19	7.85	0.50	11.77	9.90	14R0907	9	2.68	3.62
PJ1086P9	PJ1086HP9	11.19	7.85	0.50	11.77	9.90	14R0907	9	2.68	3.62
PJ1086P12	PJ1086HP12	11.19	7.85	0.50	11.77	9.90	14R0907	12	2.68	2.49
PJ12106P16	PJ12106HP16	13.19	9.85	0.50	13.77	11.90	14R1109	16	2.55	3.49

Lift Off Cover Part No.	Hinged Cover Part No.	Optional					Steel Panel Part No.	No. Holes	X	Y
		L	T	V	U	W				
PJ12106P20	PJ12106HP20	13.19	9.85	0.50	13.77	11.90	14R1109	20	2.55	2.37
PJ14126P25	PJ14126HP25	15.19	11.85	0.50	15.73	13.85	14R1311	25	2.43	3.37
PJ16148P30	PJ16148HP30	17.19	13.71	0.50	17.87	15.99	14R1513	30	3.50	3.31
PJ18168P42	PJ18168HP42	19.28	15.72	0.50	20.00	18.00	P1868	42	3.38	3.25

*Data subject to change without notice*

© 2018. Hammond Manufacturing Ltd. All rights reserved.

# Mouser Electronics

Authorized Distributor

Click to View Pricing, Inventory, Delivery & Lifecycle Information:

## Hammond:

[PJ18168HP42](#) [PJ1086HP9](#) [PJ12106P16](#) [PJ14126P25](#) [PJ16148HP30](#) [PJ864HP6](#) [PJ12106HP20](#) [PJ14126HP25](#)  
[PJ12106HP16](#) [PJ664HP4](#) [PJ664P4](#) [PJ864P6](#) [PJ1086HP12](#) [PJ12106P20](#) [PJ16148P30](#) [PJ1086P12](#) [PJ18168P42](#)  
[PJ1086P9](#)