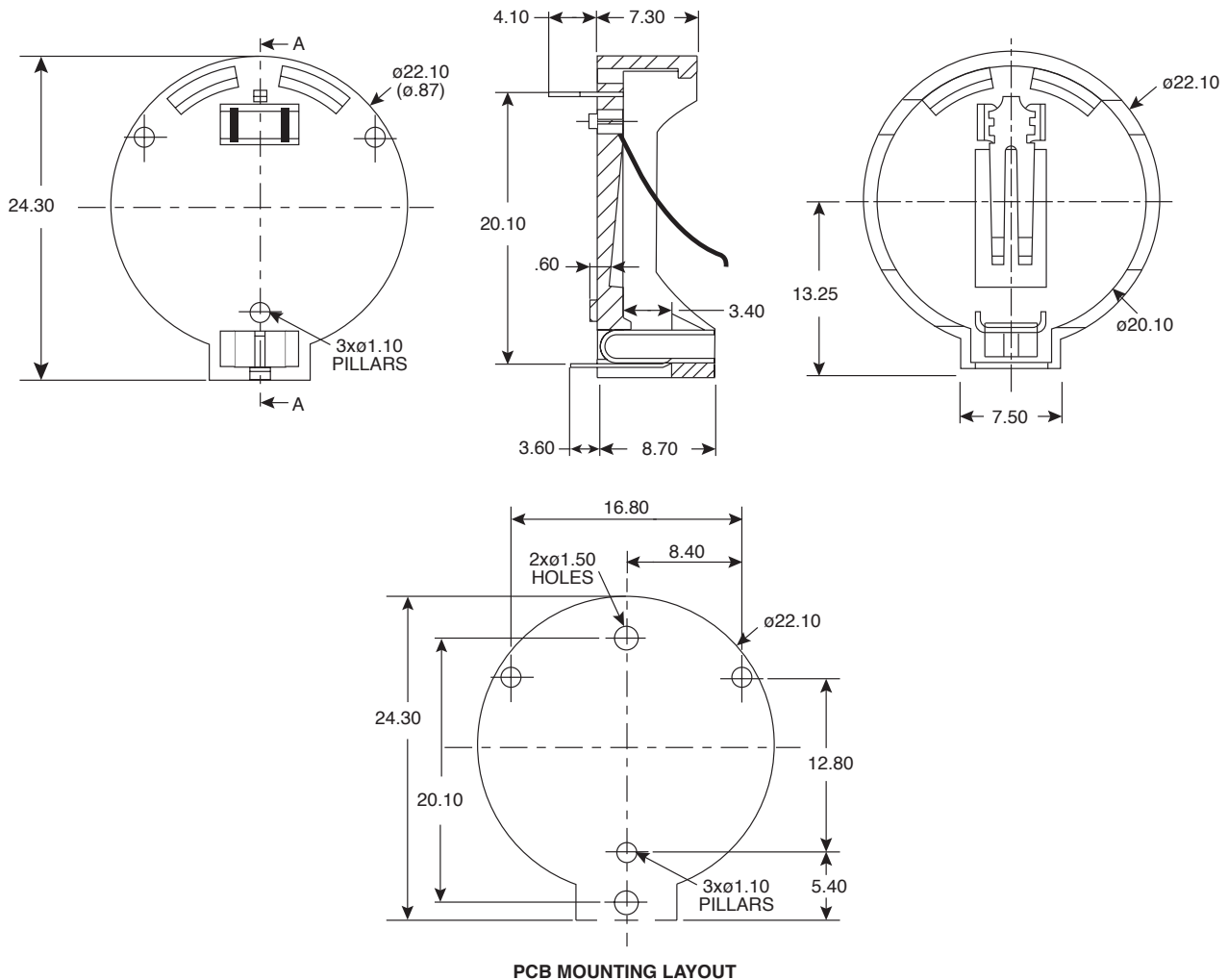


Date Last Revised: 1-13-17



Dimensions: mm

SPECIFICATIONS	
Rating:	0.5A/12VDC
Contact Resistance:	30 mΩ Max.
Insulation Resistance:	100 MΩ Min.
Operating Temperature:	-25° to +85°
Soldering:	265+5°C 3 Sec. 0.2mm From Housing Tip, No Damage
RoHS Compliant	

Available from Mouser Electronics  
 1-800-346-6873  
 www.mouser.com

EPD-200495

# Mouser Electronics

Authorized Distributor

Click to View Pricing, Inventory, Delivery & Lifecycle Information:

[Eagle Plastic Devices:](#)

[122-2420-GR](#)