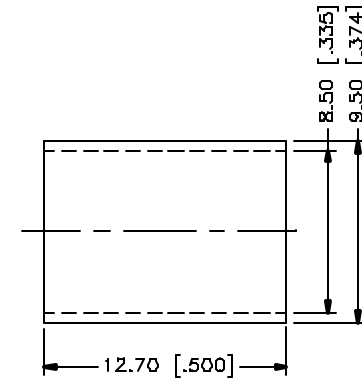
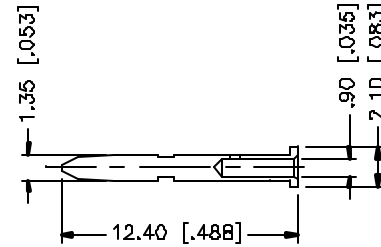
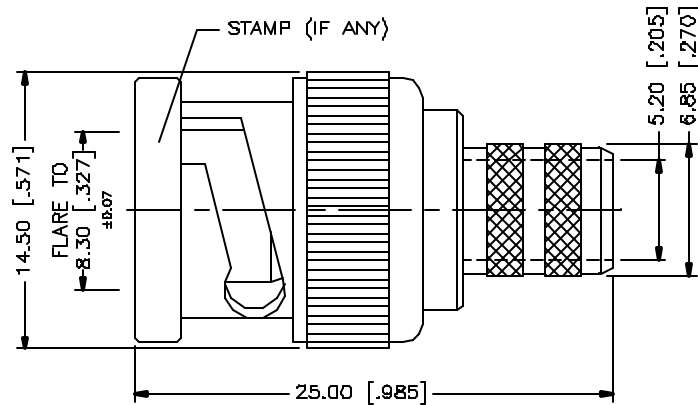
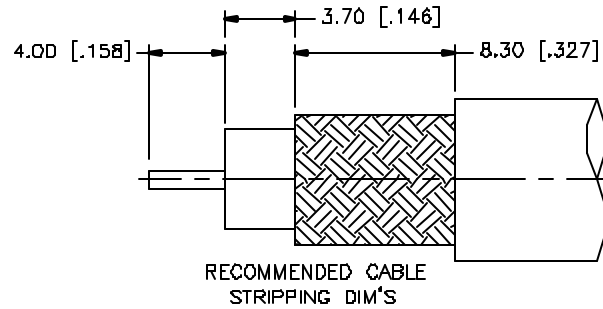


REV.	DATE	DESCRIPTION
A	5/1/04	UPDATE DRAWING FORMAT



CRIMP NOTES:

1. CRIMPED FERRULE  
HEX CRIMP SIZE .324"
2. CRIMPED CONTACT PIN  
SQ. CRIMP SIZE .043"

8					<small>UNLESS OTHERWISE SPECIFIED DIMENSIONS ARE IN MILLIMETERS. DIMENSIONS IN [ ] ARE IN INCHES AND FOR CUSTOMER REFERENCE ONLY.</small>  <small>UNLESS OTHERWISE SPECIFIED TOLERANCES FOR MILLIMETERS ARE: 0.6 - 8mm ± 0.20mm 8 - 30mm ± 0.40mm 30 - 120mm ± 0.50mm</small>  <small>UNLESS OTHERWISE SPECIFIED TOLERANCES FOR INCHES ARE: .020 - .315 = ± 0.007" .315 - 1.180 = ± 0.015" 1.180 - 4.724 = ± 0.020"</small>	APPROVALS	DATE	<h1 style="color: blue;">Amphenol Connex</h1>			
7				DRAWN		G.R.S.	05/01/04				
6				CHECKED				<b>PART DESCRIPTION</b>  <b>BNC CRIMP PLUG (FOR BELDEN 8281 CABLE)</b>			
5				ISSUED							
4	FERRULE	COPPER	NICKEL	1		SHEET	1 OF 1	<b>PART NO.</b>  <b>112953</b>			
3	CONTACT PIN	BRASS	GOLD	1							
2	INSULATOR	TEFLON	NATURAL	1				<b>DWG. NO.</b> 112953.DWG <b>REV.</b> A <b>SIZE</b> A <b>SCALE</b> NA			
1	SHELL/BODY	BRASS	NICKEL	1							
	DESCRIPTION	MATERIAL	FINISH	QTY	<small>DO NOT SCALE DRAWING</small> CAD FILE: C:/112/112953.DWG						

# Mouser Electronics

Authorized Distributor

Click to View Pricing, Inventory, Delivery & Lifecycle Information:

[Amphenol:](#)

[112953](#)