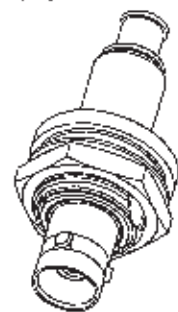


DASH NUMBER	CABLES ACCOMMODATED	A MAX	ASSEMBLE PER		
-201	M17/176-00002	.80	TAI-166		
-202	TWC-78-1				
-203	TWC-124-1A				
-204	10602, RAYCHEM				
-205	TWAC-78-1F2				
206	7526DC130, RAYCHEM				
-207	83310 BELDEN				
-208	202-3927, MICRODOT				
-209	202-3942, MICRODOT				
-210	845 BELDEN				
-211	202-3934 MICRODOT	1.55	TAI-138		
-212	2524E0114, RAYCHEM				
-213	TWC 78-2				
-214	TWC-124-2				
-215	BL-982 TIMES				
-216	BL-1242 TIMES				
-217	GC875TM24H, GRJMMAN			1.80	TAI-166
-218	CPD221888, RAYCHEM				
-219	2526D1114, RAYCHEM				
-220	GC875RRI, GRJMMAN				
-221	10614, RAYCHEM				
-222	10613, RAYCHEM				
223	HMS2-1149, HUGHES				
-224	TWCP-124-3	1.55	TAI-138		
-225	PS685PL, PRIME STOCK				

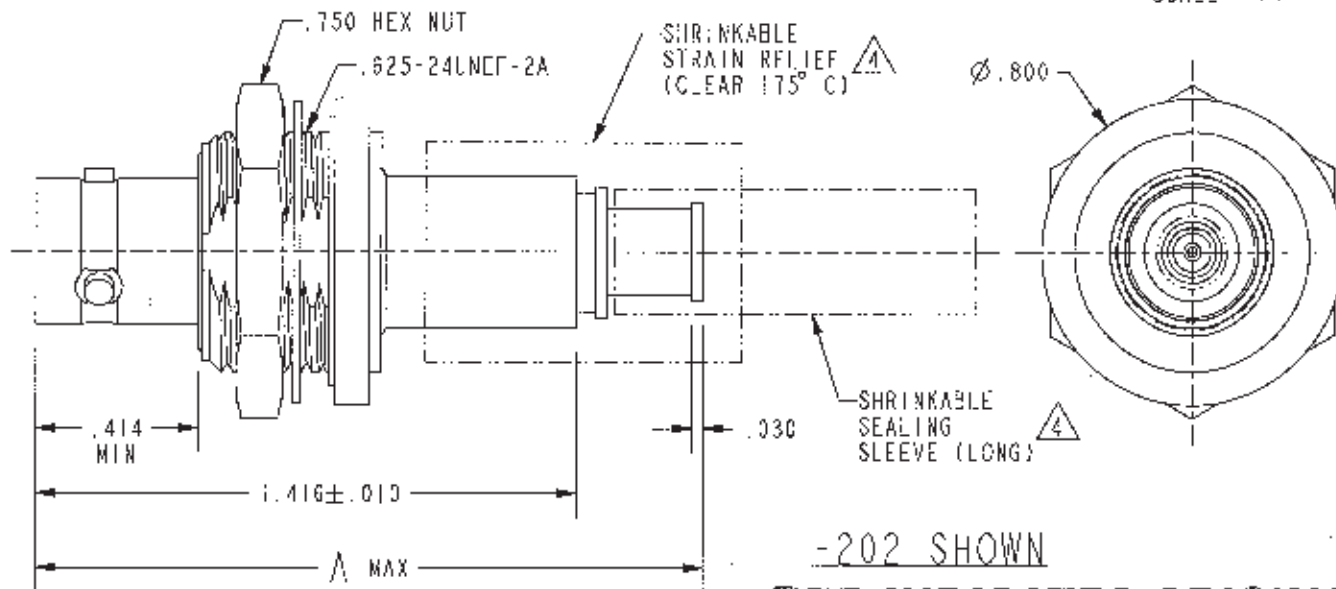
DASH NUMBER	CABLES ACCOMMODATED	A MAX	ASSEMBLE PER
-301	GC875GCI, GRUMMAN	1.80	TA-168
-302	GC875GB1, GRUMMAN		
	5D22E5111, RAYCHEM		
-303	7528A5314, RAYCHEM		
-304		1.80	TAI-218
-305	M 7/177-00001		
	295-3804 MICRODOT		
-306	TRC-50-2		
	M17/134-00002		
307	TRC-75-1	1.80	TAI-168
-308	TRC-75-2		
-309	TRC-50-1		

DATA CONTAINED IN THIS DOCUMENT IS PROPRIETARY TO TROMPETER ELECTRONICS INC. AND SHALL NOT BE DISCLOSED, COPIED OR REPRODUCED FOR PROMOTION OR MANUFACTURE WITHOUT EXPRESS WRITTEN PERMISSION.

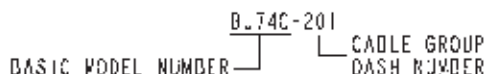
REVISIONS			
REV	DESCRIPTIONS	DATE	APPROVED
R	REV SEC PER ECO 16929	6/4/09	WJL/EX



SCALE 1/1



5. EXAMPLE OF COMPLETE MODEL NUMBER:



4. SHRINKABLE STRAIN RELIEF AND/OR SHRINKABLE SEALING SLEEVE SUPPLIED LOOSE AS FOLLOWS:

- a. CABLE GROUPS -201 THROUGH -210, -217 THROUGH -303, -305, -307 AND -309

- 1 SHRINKABLE STRAIN RELIEF (1.00 LONG)
- 1 SHRINKABLE SEALING SLEEVE (.25 LONG)

- b. CABLE GROUPS -211 THROUGH -216, -224, -225, -306 AND -308

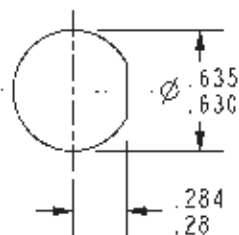
- 1 SHRINKABLE STRAIN RELIEF (1.75 LONG)

3. MAXIMUM PANEL THICKNESS: .140

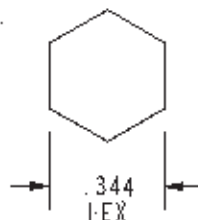
2. CONCENTRIC MINIMAX FRB, INSULATED FULL CRIMP BULGED MOUNT CABLE RECIPIACLE

1. FINISH: IT'S-A (CHECKED)

NOTES: UNLESS OTHERWISE SPECIFIED.



RECOMMENDED PANEL CUTOUT



RECOMMENDED HEX CRIMP

INTERPRET DRAWING PER MIL-STD-100. DIMENSIONS ARE IN INCHES AND INCLUDE FINISH THICKNESS UNLESS OTHERWISE SPECIFIED.

TOL: UNLESS SPECIFIED:
 .XX ± .02
 .XXY ± .010
 ANGLE = 1°

DATE	5-26-09	MATERIAL	
BY	M.J.	5-29-09	
QTY			
GROUP		FINISH	
APPROVED	DM	15/29/09	
PROJ FILE NO.	3-0201	DO NOT SCALE DWG	

TROMPETER
 RF connectivity
 a cinch connectivity solutions brand

TITLE:		BJ74C	
SIZE / CAGE CODE	DRAWING NO.	REV.	
A 14949	3-0201	R	
SCALE	DATE	SHEET	IC
2/1	11-11-86		

Mouser Electronics

Authorized Distributor

Click to View Pricing, Inventory, Delivery & Lifecycle Information:

[Cinch Connectivity Solutions:](#)

[BJ74C-201](#)