

EIGHT OUTPUT DIFFERENTIAL BUFFER FOR PCIE GEN1-3
9DB833
Description

The 9DB833 zero-delay buffer supports PCIe Gen3 requirements, while being backwards compatible to PCIe Gen2 and Gen1. The 9DB833 is driven by a differential SRC output pair from an IDT 932S421 or 932SQ420 or equivalent main clock generator.

Typical Applications

8 output PCIe Gen1-3 zero delay/fanout buffer

Output Features

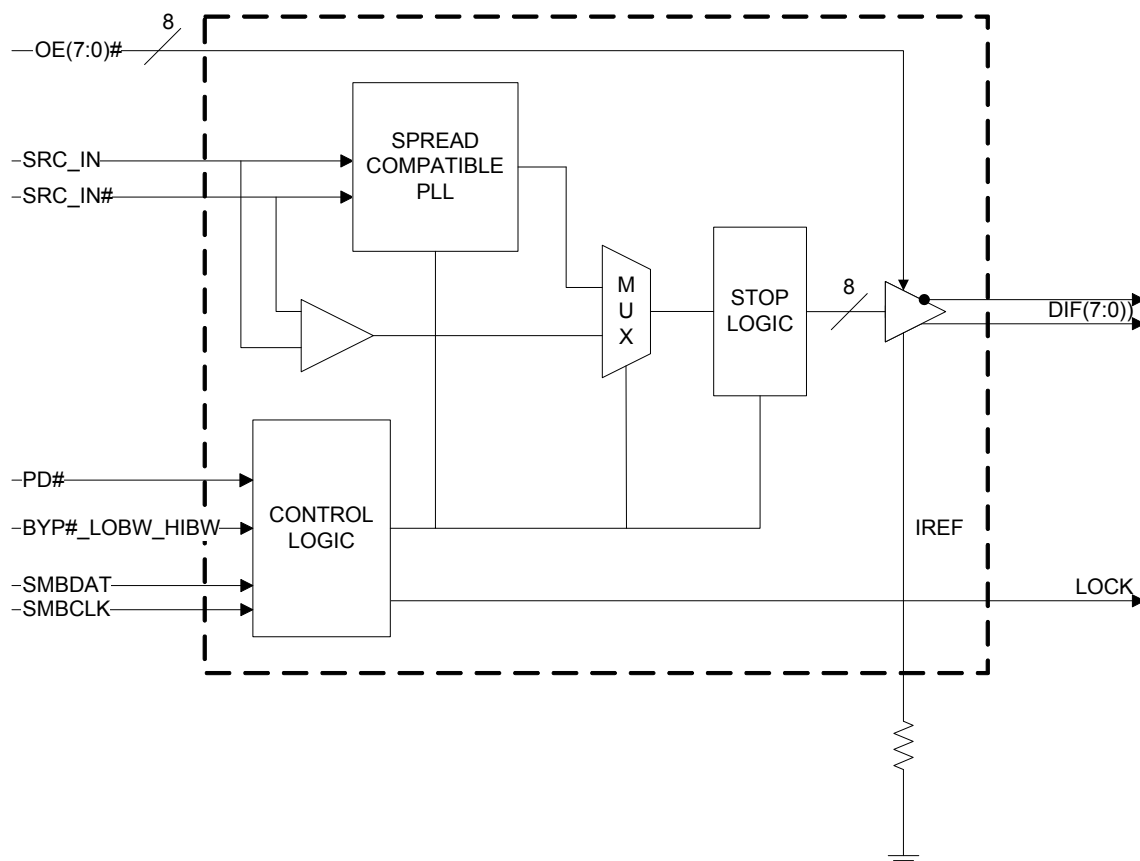
- 8 0.7V current-mode differential HCSL output pairs
- Supports zero delay buffer mode and fanout mode
- Selectable bandwidth
- 50-110MHz operation in PLL mode
- 5-166MHz operation in Bypass mode

Features

- 3 selectable SMBus addresses; multiple devices can share the same SMBus segment
- OE# pins; suitable for Express Card applications
- PLL or bypass mode; PLL can dejitter incoming clock
- Selectable PLL bandwidth; minimizes jitter peaking in downstream PLLs
- Spread spectrum compatible; tracks spreading input clock for low EMI
- SMBus interface; unused outputs can be disabled
- Supports undriven differential outputs in Power Down mode for power management

Key Specifications

- Outputs cycle-cycle jitter <50ps
- Output to output skew <50ps
- Phase jitter: PCIe Gen3 <1.0ps rms

Block Diagram


Pin Configuration

| | | | | |
|----------------|----|---------------|----|-------------|
| SRC_DIV# | 1 | 9DB833 | 48 | VDDA |
| VDDR | 2 | | 47 | GND |
| GND | 3 | | 46 | IREF |
| SRC_IN | 4 | | 45 | LOCK |
| SRC_IN# | 5 | | 44 | OE7# |
| OE0# | 6 | | 43 | OE4# |
| OE3# | 7 | | 42 | DIF_7 |
| DIF_0 | 8 | | 41 | DIF_7# |
| DIF_0# | 9 | | 40 | PD# |
| GND | 10 | | 39 | VDD |
| VDD | 11 | | 38 | DIF_6 |
| DIF_1 | 12 | | 37 | DIF_6# |
| DIF_1# | 13 | | 36 | OE6# |
| OE1# | 14 | | 35 | OE5# |
| OE2# | 15 | | 34 | DIF_5 |
| DIF_2 | 16 | | 33 | DIF_5# |
| DIF_2# | 17 | | 32 | GND |
| GND | 18 | | 31 | VDD |
| VDD | 19 | | 30 | DIF_4 |
| DIF_3 | 20 | | 29 | DIF_4# |
| DIF_3# | 21 | | 28 | SMB_ADR_tri |
| BYP#_HIBW_LOBW | 22 | | 27 | VDD |
| SMBCLK | 23 | | 26 | GND |
| SMBDAT | 24 | | 25 | GND |

Notes:

Highlighted Pins are the differences between 9DB803 and 9DB833.

Pin 22 and Pin 28 are latched on power up. Please make sure that the power supply to the pullup/pulldown resistors ramps at the same time as the main supply to the chip.

Operating Mode Readback Table

| BYP#_LOBW_HIBW | MODE | Byte0, bit 3 | Byte 0 bit 1 |
|----------------|-----------------|--------------|--------------|
| Low | Bypass | 0 | 0 |
| Mid | PLL 100M Hi BW | 1 | 0 |
| High | PLL 100M Low BW | 0 | 1 |

Power Connections

| Pin Number | | Description |
|-------------|--------------|--------------------------------|
| VDD | GND | |
| 2 | 3 | SRC_IN/SRC_IN# |
| 11,19,31,39 | 10,18, 25,32 | DIF(7:0) |
| 27 | 26 | DIGITAL VDD/GND |
| 48 | 47 | Analog VDD/GND for PLL in IREF |

For best results, treat pin 2 as analog VDD.

SMBus Address Selection and Readback

| SMB_ADR_tri | Address |
|-------------|---------|
| Low | DA/DB |
| Mid | DC/DD |
| High | D8/D9 |

Tri-level Input Logic Levels

| State of Pin | Voltage |
|--------------|--------------|
| Low | <0.8V |
| Mid | 1.2<Vin<1.8V |
| High | Vin > 2.0V |

Pin Descriptions

| PIN # | PIN NAME | PIN TYPE | DESCRIPTION |
|-------|----------------|----------|--|
| 1 | SRC_DIV# | IN | Active low Input for determining SRC output frequency SRC or SRC/2. 0 = SRC/2, 1= SRC |
| 2 | VDDR | PWR | Power supply for differential input clock (receiver). This VDD should be treated as an analog power rail and filtered appropriately. Nominally 3.3V. |
| 3 | GND | GND | Ground pin. |
| 4 | SRC_IN | IN | HCSL SRC TRUE input |
| 5 | SRC_IN# | IN | HCSL SRC COMPLEMENTARY input |
| 6 | OE0# | IN | Active low input for enabling output 0. 1 = disable output, 0 = enable output. |
| 7 | OE3# | IN | Active low input for enabling output 3. 1 = disable output, 0 = enable output. |
| 8 | DIF_0 | OUT | HCSL true clock output. |
| 9 | DIF_0# | OUT | HCSL complementary clock output. |
| 10 | GND | GND | Ground pin. |
| 11 | VDD | PWR | Power supply, nominally 3.3V. |
| 12 | DIF_1 | OUT | HCSL true clock output. |
| 13 | DIF_1# | OUT | HCSL complementary clock output. |
| 14 | OE1# | IN | Active low input for enabling output 1. 1 = disable output, 0 = enable output. |
| 15 | OE2# | IN | Active low input for enabling output 2. 1 = disable output, 0 = enable output. |
| 16 | DIF_2 | OUT | HCSL true clock output. |
| 17 | DIF_2# | OUT | HCSL complementary clock output. |
| 18 | GND | GND | Ground pin. |
| 19 | VDD | PWR | Power supply, nominally 3.3V. |
| 20 | DIF_3 | OUT | HCSL true clock output. |
| 21 | DIF_3# | OUT | HCSL complementary clock output. |
| 22 | BYP#_HIBW_LOBW | IN | Tri-level input to select bypass mode, Hi BW PLL, or Lo BW PLL mode |
| 23 | SMBCLK | IN | Clock pin of SMBUS circuitry |
| 24 | SMBDAT | I/O | Data pin of SMBUS circuitry |

Pin Descriptions (cont.)

| PIN # | PIN NAME | PIN TYPE | DESCRIPTION |
|-------|-------------|----------|---|
| 25 | GND | GND | Ground pin. |
| 26 | GND | GND | Ground pin. |
| 27 | VDD | PWR | Power supply, nominally 3.3V. |
| 28 | SMB_ADR_tri | IN | SMBus address select bit. This is a tri-level input that decodes 1 of 3 SMBus Addresses. |
| 29 | DIF_4# | OUT | HCSL complementary clock output. |
| 30 | DIF_4 | OUT | HCSL true clock output. |
| 31 | VDD | PWR | Power supply, nominally 3.3V. |
| 32 | GND | GND | Ground pin. |
| 33 | DIF_5# | OUT | HCSL complementary clock output. |
| 34 | DIF_5 | OUT | HCSL true clock output. |
| 35 | OE5# | IN | Active low input for enabling output 5. 1 = disable output, 0 = enable output. |
| 36 | OE6# | IN | Active low input for enabling output 6. 1 = disable output, 0 = enable output. |
| 37 | DIF_6# | OUT | HCSL complementary clock output. |
| 38 | DIF_6 | OUT | HCSL true clock output. |
| 39 | VDD | PWR | Power supply, nominally 3.3V. |
| 40 | PD# | IN | Asynchronous active low input pin used to power down the device. The internal clocks are disabled and the VCO's (if any) and the XTAL oscillator are stopped. |
| 41 | DIF_7# | OUT | HCSL complementary clock output. |
| 42 | DIF_7 | OUT | HCSL true clock output. |
| 43 | OE4# | IN | Active low input for enabling output 4 1 = disable output, 0 = enable output. |
| 44 | OE7# | IN | Active low input for enabling output 7. 1 = disable output, 0 = enable output. |
| 45 | LOCK | OUT | 3.3V output indicating PLL Lock Status. This pin goes high when lock is achieved. |
| 46 | IREF | OUT | This pin establishes the reference for the differential current-mode output pairs. It requires a fixed precision resistor to ground. 475ohm is the standard value for 100ohm differential impedance. Other impedances require different values. See data sheet. |
| 47 | GNDA | GND | Ground pin for the PLL core. |
| 48 | VDDA | PWR | Power supply for PLL core. |

Absolute Maximum Ratings

Stresses above the ratings listed below can cause permanent damage to the 9DB833. These ratings, which are standard values for IDT commercially rated parts, are stress ratings only. Functional operation of the device at these or any other conditions above those indicated in the operational sections of the specifications is not implied. Exposure to absolute maximum rating conditions for extended periods can affect product reliability. Electrical parameters are guaranteed only over the recommended operating temperature range.

| PARAMETER | SYMBOL | CONDITIONS | MIN | TYP | MAX | UNITS | NOTES |
|---------------------------|--------------------|----------------------------|---------|-----|-----------------------|-------|-------|
| 3.3V Core Supply Voltage | VDDA/R | | | | 4.6 | V | 1,2 |
| 3.3V Logic Supply Voltage | VDD | | | | 4.6 | V | 1,2 |
| Input Low Voltage | V _{IL} | | GND-0.5 | | | V | 1 |
| Input High Voltage | V _{IH} | Except for SMBus interface | | | V _{DD} +0.5V | V | 1 |
| Input High Voltage | V _{IHSMB} | SMBus clock and data pins | | | 5.5V | V | 1 |
| Storage Temperature | T _s | | -65 | | 150 | °C | 1 |
| Junction Temperature | T _j | | | | 125 | °C | 1 |
| Input ESD protection | ESD prot | Human Body Model | 2000 | | | V | 1 |

¹Guaranteed by design and characterization, not 100% tested in production.

²Operation under these conditions is neither implied nor guaranteed.

Electrical Characteristics–DIF_IN Clock Input Parameters

T_{AMB}=T_{COM} or T_{IND}, unless otherwise indicated, supply voltages per normal operation conditions; see Test Loads for Loading Conditions

| PARAMETER | SYMBOL | CONDITIONS | MIN | TYP | MAX | UNITS | NOTES |
|----------------------------------|--------------------|---|-----|-----|-----|-------|-------|
| Input Crossover Voltage - DIF_IN | V _{CROSS} | Cross Over Voltage | 150 | 375 | 900 | mV | 1 |
| Input Swing - DIF_IN | V _{SWING} | Differential value | 300 | | | mV | 1 |
| Input Slew Rate - DIF_IN | dv/dt | Measured differentially | 0.6 | | 8 | V/ns | 1,2 |
| Input Leakage Current | I _{IN} | V _{IN} = V _{DD} , V _{IN} = GND | -5 | | 5 | uA | |
| Input Duty Cycle | d _{tin} | Measurement from differential waveform | 45 | | 55 | % | 1 |
| Input Jitter - Cycle to Cycle | J _{DIFIn} | Differential measurement | 0 | | 125 | ps | 1 |

¹Guaranteed by design and characterization, not 100% tested in production.

²Slew rate measured through +/-75mV window centered around differential zero.

Electrical Characteristics–Current Consumption

T_A = T_{COM} or T_{IND}; Supply Voltage VDD = 3.3 V +/-5%

| PARAMETER | SYMBOL | CONDITIONS | MIN | TYP | MAX | UNITS | NOTES |
|--------------------------|-----------------------|---|-----|-----|-----|-------|-------|
| Operating Supply Current | I _{DD3.3OP} | All outputs active @100MHz, PLL Mode, C _L = Full load; | | 164 | 200 | mA | 1 |
| Powerdown Current | I _{DD3.3PD} | All diff pairs driven | | 53 | 60 | mA | 1 |
| | I _{DD3.3PDZ} | All differential pairs tri-stated | | 3 | 6 | mA | 1 |

¹Guaranteed by design and characterization, not 100% tested in production.

Electrical Characteristics–Input/Supply/Common Parameters

TA = T_{COM} or T_{IND}; Supply Voltage VDD = 3.3 V +/-5%

| PARAMETER | SYMBOL | CONDITIONS | MIN | TYP | MAX | UNITS | NOTES |
|-------------------------------|-----------------------|---|-----------|-------|-----------------------|--------|-------|
| Ambient Operating Temperature | T _{COM} | Commercial range | 0 | | 70 | °C | 1 |
| | T _{IND} | Industrial range | -40 | | 85 | °C | 1 |
| Input High Voltage | V _{IH} | Single-ended inputs, except SMBus, low threshold and tri-level inputs | 2 | | V _{DD} + 0.3 | V | 1 |
| Input Low Voltage | V _{IL} | Single-ended inputs, except SMBus, low threshold and tri-level inputs | GND - 0.3 | | 0.8 | V | 1 |
| Input Current | I _{IN} | Single-ended inputs, V _{IN} = GND, V _{IN} = VDD | -5 | -0.02 | 5 | uA | 1 |
| | I _{INP} | Single-ended inputs V _{IN} = 0 V; Inputs with internal pull-up resistors V _{IN} = VDD; Inputs with internal pull-down resistors | -50 | | 50 | uA | 1 |
| Input Frequency | F _{ibyp} | V _{DD} = 3.3 V, Bypass mode | 5 | | 166 | MHz | 2 |
| | F _{ipll} | V _{DD} = 3.3 V, 100MHz PLL mode | 50 | 100 | 110 | MHz | 2 |
| Pin Inductance | L _{pin} | | | | 7 | nH | 1 |
| Capacitance | C _{IN} | Logic Inputs, except DIF_IN | 1.5 | | 5 | pF | 1 |
| | C _{INDIF_IN} | DIF_IN differential clock inputs | 1.5 | | 2.7 | pF | 1,4 |
| | C _{OUT} | Output pin capacitance | | | 6 | pF | 1 |
| Clk Stabilization | T _{STAB} | From V _{DD} Power-Up and after input clock stabilization or de-assertion of PD# to 1st clock | | | 1 | ms | 1,2 |
| Input SS Modulation Frequency | f _{MODIN} | Allowable Frequency (Triangular Modulation) | 30 | 31.5 | 33 | kHz | 1 |
| OE# Latency | t _{LATOE#} | DIF start after OE# assertion DIF stop after OE# deassertion | 1 | 2 | 3 | cycles | 1,3 |
| Tdrive_PD# | t _{DRVPD} | DIF output enable after PD# de-assertion | | 13 | 300 | us | 1,3 |
| Tfall | t _F | Fall time of control inputs | | | 5 | ns | 1,2 |
| Trise | t _R | Rise time of control inputs | | | 5 | ns | 1,2 |
| SMBus Input Low Voltage | V _{ILSMB} | | | | 0.8 | V | 1 |
| SMBus Input High Voltage | V _{IHSMB} | | 2.1 | | V _{DD} SMB | V | 1 |
| SMBus Output Low Voltage | V _{OLSMB} | @ I _{PULLUP} | | | 0.4 | V | 1 |
| SMBus Sink Current | I _{PULLUP} | @ V _{OL} | 4 | | | mA | 1 |
| Nominal Bus Voltage | V _{DD} SMB | 3V to 5V +/- 10% | 2.7 | | 5.5 | V | 1 |
| SCLK/SDATA Rise Time | t _{RSMB} | (Max VIL - 0.15) to (Min VIH + 0.15) | | | 1000 | ns | 1 |
| SCLK/SDATA Fall Time | t _{FSMB} | (Min VIH + 0.15) to (Max VIL - 0.15) | | | 300 | ns | 1 |
| SMBus Operating Frequency | f _{MAXSMB} | Maximum SMBus operating frequency | | | 440 | kHz | 1,5 |

¹ Guaranteed by design and characterization, not 100% tested in production.

² Control input must be monotonic from 20% to 80% of input swing.

³ Time from deassertion until outputs are >200 mV.

⁴ DIF_IN input.

⁵ The differential input clock must be running for the SMBus to be active.

Electrical Characteristics–DIF 0.7V Current Mode Differential Outputs

$T_A = T_{COM}$ or T_{IND} ; Supply Voltage $V_{DD} = 3.3\text{ V} \pm 5\%$

| PARAMETER | SYMBOL | CONDITIONS | MIN | TYP | MAX | UNITS | NOTES |
|------------------------|------------------|---|------|--------|------|-------|---------|
| Slew rate | T_{rf} | Scope averaging on | 1.5 | 2.8 | 4 | V/ns | 1, 2, 3 |
| Slew rate matching | ΔT_{rf} | Slew rate matching, Scope averaging on | | 8 | 20 | % | 1, 2, 4 |
| Voltage High | VHigh | Statistical measurement on single-ended signal using oscilloscope math function. (Scope averaging on) | 660 | 797 | 850 | mV | 1 |
| Voltage Low | VLow | | -150 | 14 | 150 | | 1 |
| Max Voltage | Vmax | Measurement on single ended signal using absolute value. (Scope averaging off) | | 813 | 1150 | mV | 1 |
| Min Voltage | Vmin | | -300 | -1 | | | 1 |
| Vswing | Vswing | Scope averaging off (Differential) | 300 | 1596.9 | | mV | 1, 2 |
| Crossing Voltage (abs) | Vcross_abs | Scope averaging off | 250 | 378 | 550 | mV | 1, 5 |
| Crossing Voltage (var) | Δ -Vcross | Scope averaging off | | 16 | 140 | mV | 1, 6 |

¹Guaranteed by design and characterization, not 100% tested in production. $I_{REF} = V_{DD}/(3 \times R_R)$. For $R_R = 475\Omega$ (1%), $I_{REF} = 2.32\text{mA}$.

$I_{OH} = 6 \times I_{REF}$ and $V_{OH} = 0.7\text{V}$ @ $Z_O = 50\Omega$ (100 Ω differential impedance).

² Measured from differential waveform

³ Slew rate is measured through the Vswing voltage range centered around differential 0V. This results in a +/-150mV window around differential 0V.

⁴ Matching applies to rising edge rate for Clock and falling edge rate for Clock#. It is measured using a +/-75mV window centered on the average cross point where Clock rising meets Clock# falling. The median cross point is used to calculate the voltage thresholds the oscilloscope is to use for the edge rate calculations.

⁵ Vcross is defined as voltage where Clock = Clock# measured on a component test board and only applies to the differential rising edge (i.e. Clock rising and Clock# falling).

⁶ The total variation of all Vcross measurements in any particular system. Note that this is a subset of V_cross_min/max (V_cross absolute) allowed. The intent is to limit Vcross induced modulation by setting V_cross_delta to be smaller than V_cross absolute.

Electrical Characteristics–Output Duty Cycle, Jitter, Skew and PLL Characteristics

$T_A = T_{COM}$ or T_{IND} ; Supply Voltage $V_{DD} = 3.3\text{ V} \pm 5\%$

| PARAMETER | SYMBOL | CONDITIONS | MIN | TYP | MAX | UNITS | NOTES |
|------------------------|---------------|--|------|------|-------|-------|-------|
| PLL Bandwidth | BW | -3dB point in High BW Mode (T_{IND}) | 1.5 | 2.8 | 4.1 | MHz | 1 |
| | | -3dB point in High BW Mode (T_{COM}) | 2 | 2.8 | 4 | MHz | 1 |
| | | -3dB point in Low BW Mode | 0.7 | 1.1 | 1.4 | MHz | 1 |
| PLL Jitter Peaking | t_{JPEAK} | Peak Pass band Gain | | 1.5 | 2 | dB | 1 |
| Duty Cycle | t_{DC} | Measured differentially, PLL Mode | 45 | 49.2 | 55 | % | 1 |
| Duty Cycle Distortion | t_{DCD} | Measured differentially, Bypass Mode @100MHz | -2 | -0.4 | 2 | % | 1,4 |
| Skew, Input to Output | t_{pdBYP} | Bypass Mode, $V_T = 50\%$ (T_{IND}) | 3500 | 4263 | 4900 | ps | 1 |
| | | Bypass Mode, $V_T = 50\%$ (T_{COM}) | 3500 | 4115 | 4500 | ps | 1,5 |
| | t_{pdPLL} | PLL Mode $V_T = 50\%$ | -250 | -45 | 250 | ps | 1 |
| Skew, Output to Output | t_{sk3} | $V_T = 50\%$ | | 40.0 | 50/60 | ps | 1,5 |
| Jitter, Cycle to cycle | $t_{jcy-cyc}$ | PLL mode | | 21 | 50 | ps | 1,3 |
| | | Additive Jitter in Bypass Mode | | 3 | 10 | ps | 1,3 |

¹Guaranteed by design and characterization, not 100% tested in production.

² $I_{REF} = V_{DD}/(3 \times R_R)$. For $R_R = 475\Omega$ (1%), $I_{REF} = 2.32\text{mA}$. $I_{OH} = 6 \times I_{REF}$ and $V_{OH} = 0.7\text{V}$ @ $Z_O = 50\Omega$.

³ Measured from differential waveform

⁴ Duty cycle distortion is the difference in duty cycle between the output and the input clock when the device is operated in bypass mode.

⁵ First number is commercial temp, second number is industrial temp.

Electrical Characteristics–PCIe Phase Jitter Parameters

TA = T_{COM} or T_{IND}; Supply Voltage VDD = 3.3 V +/-5%

| PARAMETER | SYMBOL | CONDITIONS | MIN | TYP | MAX | INDUSTRY LIMIT | UNITS | Notes |
|---------------------------------------|------------------------|--|-----|------|-----|----------------|----------|----------|
| Phase Jitter, PLL Mode | t _{jphPCIeG1} | PCIe Gen 1 | | 26 | 40 | 86 | ps (p-p) | 1,2,3 |
| | t _{jphPCIeG2} | PCIe Gen 2 Lo Band 10kHz < f < 1.5MHz | | 1 | 1.2 | 3 | ps (rms) | 1,2 |
| | | PCIe Gen 2 High Band 1.5MHz < f < Nyquist (50MHz) | | 2 | 1.8 | 3.1 | ps (rms) | 1,2 |
| | t _{jphPCIeG3} | PCIe Gen 3 (PLL BW of 2-4MHz, CDR = 10MHz) | | 0.5 | 0.6 | 1 | ps (rms) | 1,2 |
| Additive Phase Jitter, Bypass Mode | t _{jphPCIeG1} | PCIe Gen 1 | | 2.6 | 5 | N/A | ps (p-p) | 1,2,3 |
| | t _{jphPCIeG2} | PCIe Gen 2 Lo Band 10kHz < f < 1.5MHz | | 0.06 | 0.2 | N/A | ps (rms) | 1,2 |
| | | PCIe Gen 2 High Band 1.5MHz < f < Nyquist (50MHz) | | | | 0.3 | N/A | ps (rms) |
| | t _{jphPCIeG3} | PCIe Gen 3 (PLL BW of 2-4MHz, CDR = 10MHz) | | | 0.1 | N/A | ps (rms) | 1,2 |

¹ Applies to all outputs.

² See <http://www.pcisig.com> for complete specs

³ Sample size of at least 100K cycles. This figures extrapolates to 108ps pk-pk @ 1M cycles for a BER of 1-12.

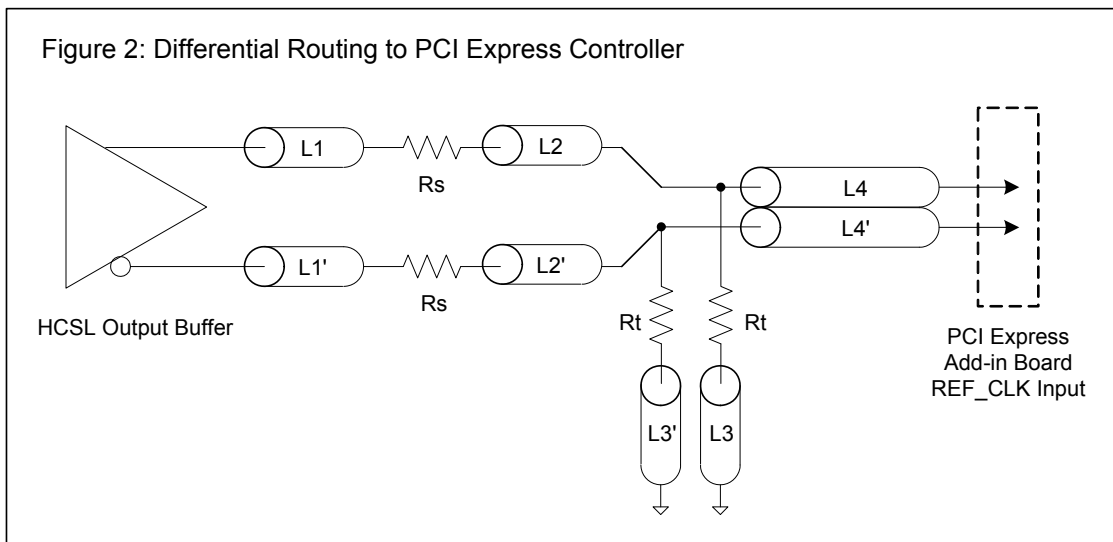
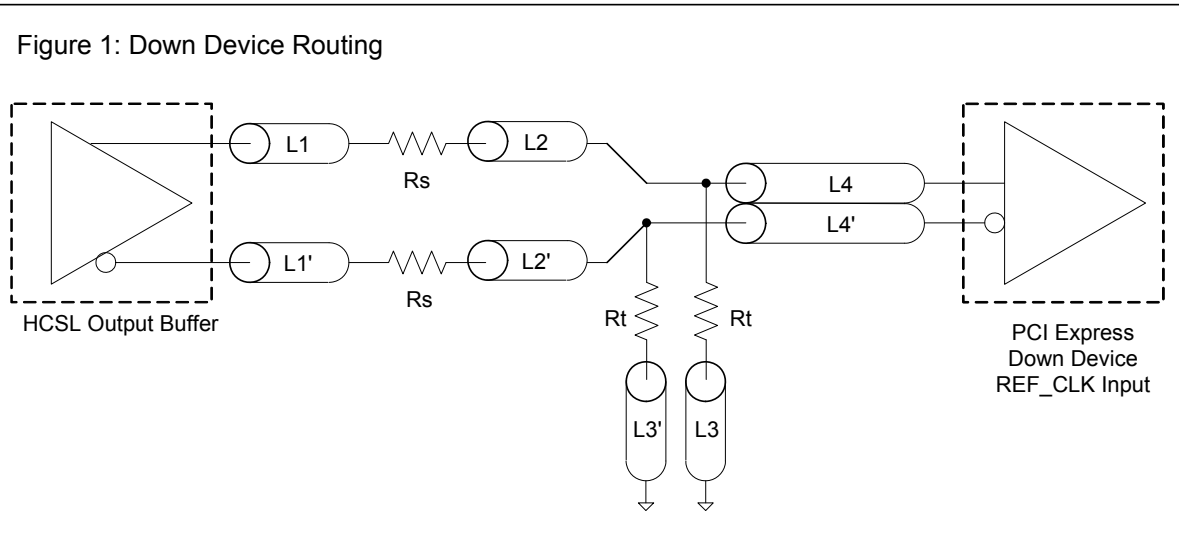
Clock Periods Differential Outputs Tracking Spread Spectrum

| Measurement Window | 1 Clock | 1us | 0.1s | 0.1s | 0.1s | 1us | 1 Clock | | |
|--------------------|-------------------------|-------------------------|-------------------------|---------|-------------------|--------------------|---------|-------|-------|
| Symbol | Lg- | -SSC | -ppm error | 0ppm | + ppm error | +SSC | Lg+ | | |
| Definition | Absolute Period | Short-term Average | Long-Term Average | Period | Long-Term Average | Short-term Average | Period | | |
| | Minimum Absolute Period | Minimum Absolute Period | Minimum Absolute Period | Nominal | Maximum | Maximum | Maximum | Units | Notes |
| DIF 100 | 9.949 | 9.999 | 10.024 | 10.025 | 10.026 | 10.051 | 10.101 | ns | 1,2,3 |

| Output Termination and Layout Information | | | |
|---|--------------------|------|--------|
| Common Recommendations for Differential Routing | Dimension or Value | Unit | Figure |
| L1 length, route as non-coupled 50ohm trace | 0.5 max | inch | 1 |
| L2 length, route as non-coupled 50ohm trace | 0.2 max | inch | 1 |
| L3 length, route as non-coupled 50ohm trace | 0.2 max | inch | 1 |
| R_s | 33 | ohm | 1 |
| R_t | 49.9 | ohm | 1 |

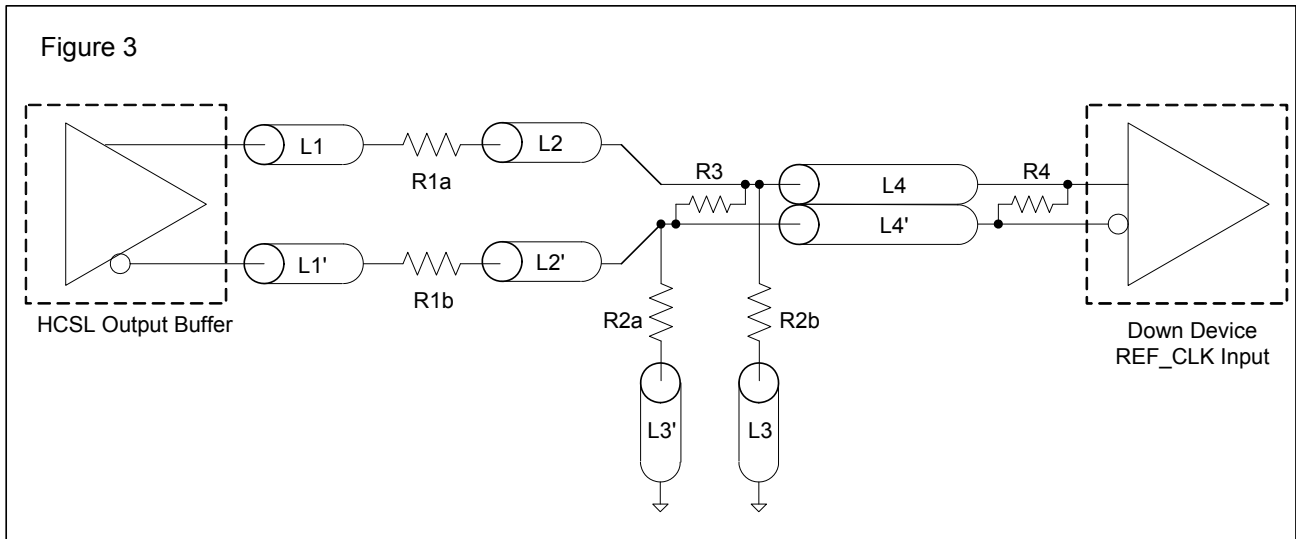
| Down Device Differential Routing | | | |
|--|---------------------|------|---|
| L4 length, route as coupled microstrip 100ohm differential trace | 2 min to 16 max | inch | 1 |
| L4 length, route as coupled stripline 100ohm differential trace | 1.8 min to 14.4 max | inch | 1 |

| Differential Routing to PCI Express Connector | | | |
|--|-----------------------|------|---|
| L4 length, route as coupled microstrip 100ohm differential trace | 0.25 to 14 max | inch | 2 |
| L4 length, route as coupled stripline 100ohm differential trace | 0.225 min to 12.6 max | inch | 2 |

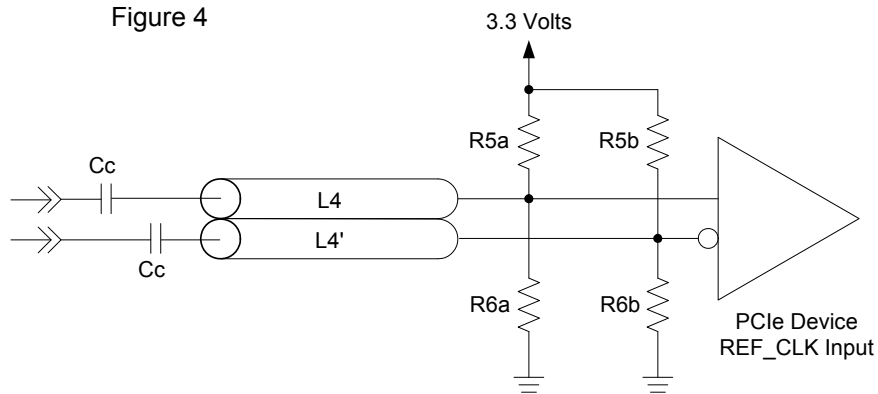


| Termination for LVDS and other Common Differential Signals (figure 3) | | | | | | | |
|---|------------------|-----------------|----|------|------|-----|--------------------------------|
| V _{diff} | V _{p-p} | V _{cm} | R1 | R2 | R3 | R4 | Note |
| 0.45v | 0.22v | 1.08 | 33 | 150 | 100 | 100 | |
| 0.58 | 0.28 | 0.6 | 33 | 78.7 | 137 | 100 | |
| 0.80 | 0.40 | 0.6 | 33 | 78.7 | none | 100 | ICS874003i-02 input compatible |
| 0.60 | 0.3 | 1.2 | 33 | 174 | 140 | 100 | Standard LVDS |

R1a = R1b = R1
R2a = R2b = R2



| Termination for Cable AC Coupled Application (figure 4) | | |
|---|-------------|------|
| Component | Value | Note |
| R5a, R5b | 8.2K 5% | |
| R6a, R6b | 1K 5% | |
| Cc | 0.1 μF | |
| V _{cm} | 0.350 volts | |



General SMBus Serial Interface Information

How to Write

- Controller (host) sends a start bit
- Controller (host) sends the write address*
- IDT clock will **acknowledge**
- Controller (host) sends the beginning byte location = N
- IDT clock will **acknowledge**
- Controller (host) sends the byte count = X
- IDT clock will **acknowledge**
- Controller (host) starts sending Byte N through Byte N+X-1
- IDT clock will **acknowledge** each byte **one at a time**
- Controller (host) sends a Stop bit

| Index Block Write Operation | | |
|-----------------------------|-----------|----------------------|
| Controller (Host) | | IDT (Slave/Receiver) |
| T | starT bit | |
| Slave Address | | |
| WR | WRite | |
| Beginning Byte = N | | ACK |
| | | ACK |
| Data Byte Count = X | | ACK |
| Beginning Byte N | | ACK |
| O | X Byte | O |
| O | | O |
| O | | O |
| Byte N + X - 1 | | ACK |
| P | stoP bit | |

* Assuming SMB_ADR_tri is at mid-level

| Read Address | Write Address |
|-------------------|-------------------|
| DD _(H) | DC _(H) |

How to Read

- Controller (host) will send a start bit
- Controller (host) sends the write address*
- IDT clock will **acknowledge**
- Controller (host) sends the beginning byte location = N
- IDT clock will **acknowledge**
- Controller (host) will send a separate start bit
- Controller (host) sends the read address*
- IDT clock will **acknowledge**
- IDT clock will send the data byte count = X
- IDT clock sends Byte N+X-1
- IDT clock sends **Byte 0 through Byte X (if X_(H) was written to Byte 8)**
- Controller (host) will need to acknowledge each byte
- Controller (host) will send a not acknowledge bit
- Controller (host) will send a stop bit

| Index Block Read Operation | | |
|----------------------------|-----------------|----------------------|
| Controller (Host) | | IDT (Slave/Receiver) |
| T | starT bit | |
| Slave Address | | |
| WR | WRite | |
| Beginning Byte = N | | ACK |
| | | ACK |
| RT | Repeat starT | |
| Slave Address | | |
| RD | ReaD | |
| | | ACK |
| ACK | | Data Byte Count=X |
| | | Beginning Byte N |
| ACK | | O |
| O | | O |
| O | | O |
| O | | |
| | | Byte N + X - 1 |
| N | Not acknowledge | |
| P | stoP bit | |

SMBus Table: Frequency Select Register, READ/WRITE ADDRESS (Selectable)

| Byte 0 | Pin # | Name | Control Function | Type | 0 | 1 | Default |
|--------|-------|----------|------------------------|------|-----------------------------------|------|---------|
| Bit 7 | - | PD_Mode | PD# drive mode | RW | driven | Hi-Z | 1 |
| Bit 6 | - | OE_Mode | OE#_Stop drive mode | RW | driven | Hi-Z | 0 |
| Bit 5 | - | | Reserved | | | | 0 |
| Bit 4 | - | | Reserved | | | | X |
| Bit 3 | - | MODE1 | BYPASS#/PLL1 | RW | See Operating Mode Readback Table | | Latched |
| Bit 2 | - | | Reserved | | | | 1 |
| Bit 1 | - | MODE0 | BYPASS#/PLL0 | RW | See Operating Mode Readback Table | | Latched |
| Bit 0 | - | SRC_DIV# | SRC Divide by 2 Select | RW | x/2 | x/1 | 1 |

SMBus Table: Output Control Register

| Byte 1 | Pin # | Name | Control Function | Type | 0 | 1 | Default |
|--------|-------|-------|------------------|------|---------|--------|---------|
| Bit 7 | 42,41 | DIF_7 | Output Enable | RW | Disable | Enable | 1 |
| Bit 6 | 38,37 | DIF_6 | Output Enable | RW | Disable | Enable | 1 |
| Bit 5 | 34,33 | DIF_5 | Output Enable | RW | Disable | Enable | 1 |
| Bit 4 | 30,29 | DIF_4 | Output Enable | RW | Disable | Enable | 1 |
| Bit 3 | 20,21 | DIF_3 | Output Enable | RW | Disable | Enable | 1 |
| Bit 2 | 16,17 | DIF_2 | Output Enable | RW | Disable | Enable | 1 |
| Bit 1 | 12,13 | DIF_1 | Output Enable | RW | Disable | Enable | 1 |
| Bit 0 | 8,9 | DIF_0 | Output Enable | RW | Disable | Enable | 1 |

NOTE: The SMBus Output Enable Bit must be '1' AND the respective OE pin must be active for the output to run.

SMBus Table: OE Pin Control Register

| Byte 2 | Pin # | Name | Control Function | Type | 0 | 1 | Default |
|--------|-------|-------|---------------------------|------|----------|-----------|---------|
| Bit 7 | 42,41 | DIF_7 | DIF_7 Stoppable with OE7# | RW | Free-run | Stoppable | 0 |
| Bit 6 | 38,37 | DIF_6 | DIF_6 Stoppable with OE6# | RW | Free-run | Stoppable | 0 |
| Bit 5 | 34,33 | DIF_5 | DIF_5 Stoppable with OE5# | RW | Free-run | Stoppable | 0 |
| Bit 4 | 30,29 | DIF_4 | DIF_4 Stoppable with OE4# | RW | Free-run | Stoppable | 0 |
| Bit 3 | 20,21 | DIF_3 | DIF_3 Stoppable with OE3# | RW | Free-run | Stoppable | 0 |
| Bit 2 | 16,17 | DIF_2 | DIF_2 Stoppable with OE2# | RW | Free-run | Stoppable | 0 |
| Bit 1 | 12,13 | DIF_1 | DIF_1 Stoppable with OE1# | RW | Free-run | Stoppable | 0 |
| Bit 0 | 8,9 | DIF_0 | DIF_0 Stoppable with OE0# | RW | Free-run | Stoppable | 0 |

NOTE: If you wish the default to be "Stoppable" see the 9DB834.

SMBus Table: Reserved Register

| Byte 3 | Pin # | Name | Control Function | Type | 0 | 1 | Default |
|--------|-------|------|------------------|------|---|---|---------|
| Bit 7 | | | Reserved | | | | X |
| Bit 6 | | | Reserved | | | | X |
| Bit 5 | | | Reserved | | | | X |
| Bit 4 | | | Reserved | | | | X |
| Bit 3 | | | Reserved | | | | X |
| Bit 2 | | | Reserved | | | | X |
| Bit 1 | | | Reserved | | | | X |
| Bit 0 | | | Reserved | | | | X |

SMBus Table: Vendor & Revision ID Register

| Byte 4 | Pin # | Name | Control Function | Type | 0 | 1 | Default |
|--------|-------|------|------------------|------|---|---|---------|
| Bit 7 | - | RID3 | REVISION ID | R | - | - | 0 |
| Bit 6 | - | RID2 | | R | - | - | 0 |
| Bit 5 | - | RID1 | | R | - | - | 0 |
| Bit 4 | - | RID0 | | R | - | - | 1 |
| Bit 3 | - | VID3 | VENDOR ID | R | - | - | 0 |
| Bit 2 | - | VID2 | | R | - | - | 0 |
| Bit 1 | - | VID1 | | R | - | - | 0 |
| Bit 0 | - | VID0 | | R | - | - | 1 |

SMBus Table: DEVICE ID

| Byte 5 | Pin # | Name | Control Function | Type | 0 | 1 | Default |
|--------|-------|------|-------------------|------|-----------------------------------|---|---------|
| Bit 7 | - | DID7 | Device ID 7 (MSB) | RW | Device ID is 83 Hex for 9DB833 | | 1 |
| Bit 6 | - | DID6 | Device ID 6 | RW | | | 0 |
| Bit 5 | - | DID5 | Device ID 5 | RW | | | 0 |
| Bit 4 | - | DID4 | Device ID 4 | RW | | | 0 |
| Bit 3 | - | DID3 | Device ID 3 | RW | | | 0 |
| Bit 2 | - | DID2 | Device ID 2 | RW | | | 0 |
| Bit 1 | - | DID1 | Device ID 1 | RW | | | 1 |
| Bit 0 | - | DID0 | Device ID 0 | RW | | | 1 |

SMBus Table: Byte Count Register

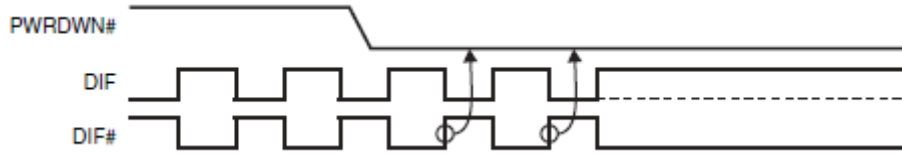
| Byte 6 | Pin # | Name | Control Function | Type | 0 | 1 | Default |
|--------|-------|------|---|------|---|---|---------|
| Bit 7 | - | BC7 | Writing to this register configures how many bytes will be read back. | RW | - | - | 0 |
| Bit 6 | - | BC6 | | RW | - | - | 0 |
| Bit 5 | - | BC5 | | RW | - | - | 0 |
| Bit 4 | - | BC4 | | RW | - | - | 0 |
| Bit 3 | - | BC3 | | RW | - | - | 0 |
| Bit 2 | - | BC2 | | RW | - | - | 1 |
| Bit 1 | - | BC1 | | RW | - | - | 1 |
| Bit 0 | - | BC0 | | RW | - | - | 1 |

PD#, Power Down

The PD# pin cleanly shuts off all clocks and places the device into a power saving mode. PD# must be asserted before shutting off the input clock or power to insure an orderly shutdown. PD is asynchronous active-low input for both powering down the device and powering up the device. When PD# is asserted, all clocks will be driven high, or tri-stated (depending on the PD# drive mode and Output control bits) before the PLL is shut down.

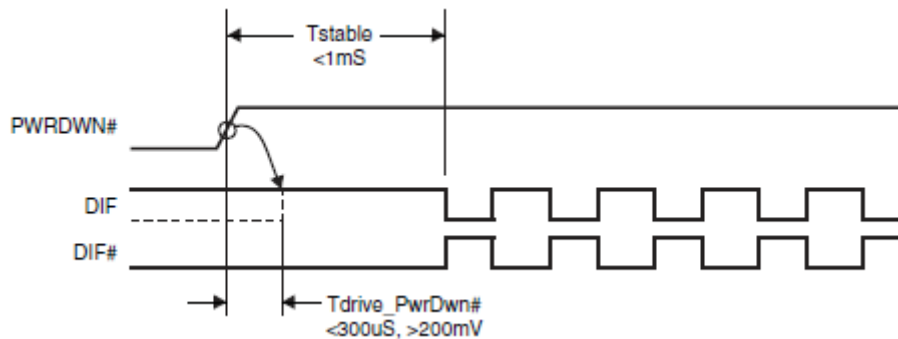
PD# Assertion

When PD# is sampled low by two consecutive rising edges of DIF#, all DIF outputs must be held High, or tri-stated (depending on the PD# drive mode and Output control bits) on the next High-Low transition of the DIF# outputs. When the PD# drive mode bit is set to '0', all clock outputs will be held with DIF driven High with $2 \times I_{REF}$ and DIF# tri-stated. If the PD# drive mode bit is set to '1', both DIF and DIF# are tri-stated.



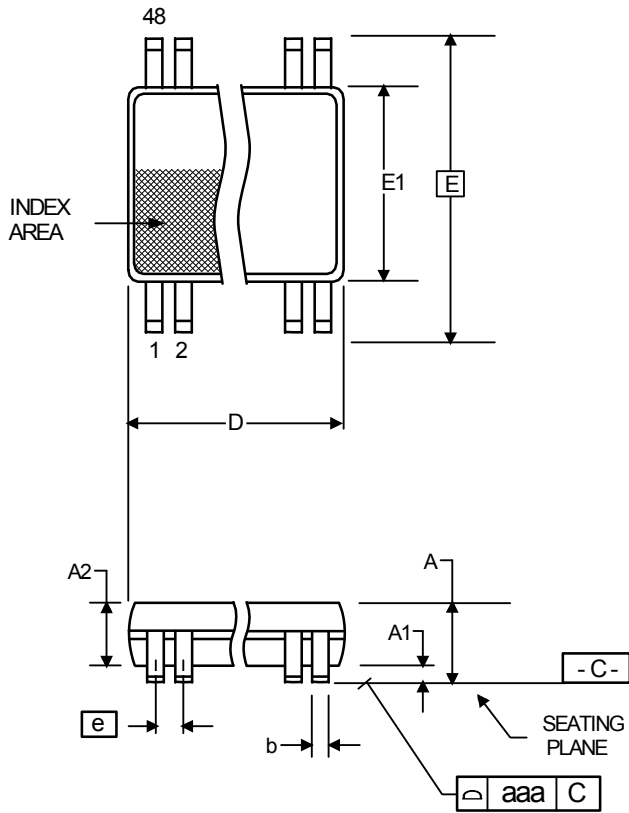
PD# De-assertion

Power-up latency is less than 1 ms. This is the time from de-assertion of the PD# pin, or VDD reaching 3.3V, or the time from valid SRC_IN clocks until the time that stable clocks are output from the device (PLL Locked). If the PD# drive mode bit is set to '1', all the DIF outputs must driven to a voltage of >200 mV within $300\mu\text{s}$ of PD# de-assertion.



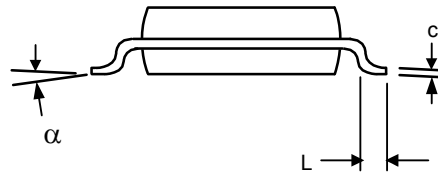
Package Outline Drawings (48-pin TSSOP)

Package dimensions are kept current with JEDEC Publication No. 95



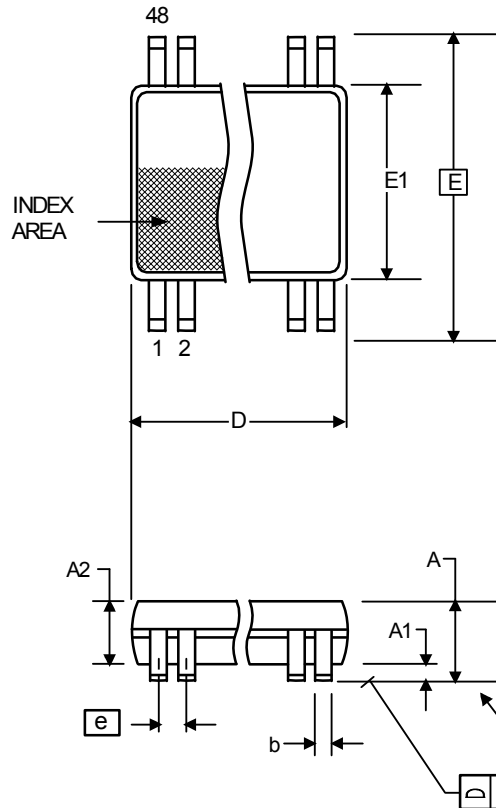
| Symbol | Millimeters | | Inches* | |
|----------|-------------|-------|-------------|-------|
| | Min | Max | Min | Max |
| A | -- | 1.20 | -- | 0.047 |
| A1 | 0.05 | 0.15 | 0.002 | 0.006 |
| A2 | 0.80 | 1.05 | 0.032 | 0.041 |
| b | 0.17 | 0.27 | 0.007 | 0.011 |
| c | 0.09 | 0.20 | 0.0035 | 0.008 |
| D | 12.40 | 12.60 | 0.488 | 0.496 |
| E | 8.10 BASIC | | 0.319 BASIC | |
| E1 | 6.00 | 6.20 | 0.236 | 0.244 |
| e | 0.50 Basic | | 0.020 Basic | |
| L | 0.45 | 0.75 | 0.018 | 0.030 |
| α | 0° | 8° | 0° | 8° |
| aaa | -- | 0.10 | -- | 0.004 |

*For reference only. Controlling dimensions in mm.



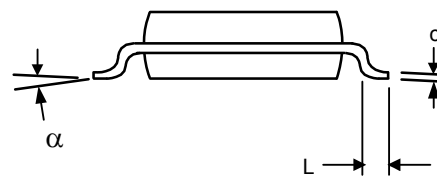
Package Outline Drawings (48-pin SSOP)

Package dimensions are kept current with JEDEC Publication No. 95



| Symbol | Millimeters | | Inches* | |
|----------|-------------|-------|-------------|-------|
| | Min | Max | Min | Max |
| A | 2.41 | 2.80 | .095 | .110 |
| A1 | 0.20 | 0.40 | .008 | .016 |
| b | 0.20 | 0.34 | .008 | .0135 |
| c | 0.13 | 0.25 | .005 | .010 |
| D | 15.75 | 16.00 | .620 | .630 |
| E | 10.03 | 10.68 | .395 | .420 |
| E1 | 7.40 | 7.60 | .291 | .299 |
| e | 0.635 BASIC | | 0.025 BASIC | |
| h | 0.38 | 0.64 | .015 | .025 |
| L | 0.50 | 1.02 | .020 | .040 |
| α | 0° | 8° | 0° | 8° |

*For reference only. Controlling dimensions in mm.



Ordering Information

| Part / Order Number | Shipping Packaging | Package | Temperature |
|---------------------|--------------------|--------------|--------------|
| 9DB833AFLF | Tubes | 48-pin SSOP | 0 to +70°C |
| 9DB833AFLFT | Tape and Reel | 48-pin SSOP | 0 to +70°C |
| 9DB833AGLF | Tubes | 48-pin TSSOP | 0 to +70°C |
| 9DB833AGLFT | Tape and Reel | 48-pin TSSOP | 0 to +70°C |
| 9DB833AFILF | Tubes | 48-pin SSOP | -40 to +85°C |
| 9DB833AFILFT | Tape and Reel | 48-pin SSOP | -40 to +85°C |
| 9DB833AGILF | Tubes | 48-pin TSSOP | -40 to +85°C |
| 9DB833AGILFT | Tape and Reel | 48-pin TSSOP | -40 to +85°C |

“LF” suffix to the part number are the Pb-Free configuration and are RoHS compliant.

“A” is the device revision designator (will not correlate with the datasheet revision).

Revision History

| Issue Date | Description | Page # |
|------------|--|---------|
| 6/30/2010 | Released to final | |
| 5/9/2011 | 1. Update pin 2 pin-name and pin description from VDD to VDDR. This highlights that optimal performance is obtained by treating VDDR as in analog pin. This is a document update only, there is no silicon change. | Various |
| 5/24/2011 | 1. Corrected pin description of Pins 27/28 2. Corrected orderable part number for 9DB833AGILFT | |
| 3/13/2012 | 1. Added additional line to PLL Bandwidth "-3dB point in High BW Mode" conditions for industrial mode (min1.5, typ 2.7, max 4.1 MHz) 2. Added additional line to Skew, Input to Output "Bypass Mode" conditions for industrial mode (min 2500, max 4900 ps) | 6 |
| 7/5/2012 | 1. Changed references of PCIe Gen3 to PCIe Gen1,2,3 2. Corrected Power Connections Table - pinout was/is correct. | 1, 2 |
| 9/18/2012 | Updated Byte 2, bits 1, 2, 5 and 6 per char review. Outputs can be programmed with Byte 2 to be Stoppable or Free-Run with DIF_Stop pin, not the OE pins. | 12 |
| 8/25/2015 | 1. Added note to Byte 2 referring to 9DB434 if FFhex is the desired default. | 12 |
| 6/7/2016 | 1. Updated typical values in electrical tables. 2. Updated clock input electrical table to latest format. 3. Updated SMBus operating frequency to 440KHz. 4. Corrected typo in Byte 0, bit 6 defaults to 0. | Various |
| 5/25/2018 | 1. Updated the minimum input slew rate from 1 V/ns to 0.6V/ns. | 6 |

Innovate with IDT and accelerate your future networks. Contact:

www.IDT.com

Sales

800-345-7015 or 408-284-8200

Fax: 408-284-2775

www.idt.com/go/sales

Tech Support

www.idt.com/go/support

Corporate Headquarters

Integrated Device Technology, Inc.

6024 Silver Creek Valley Road

San Jose, CA 95138 USA

www.idt.com



DISCLAIMER Integrated Device Technology, Inc. (IDT) and its affiliated companies (herein referred to as "IDT") reserve the right to modify the products and/or specifications described herein at any time, without notice, at IDT's sole discretion. Performance specifications and operating parameters of the described products are determined in an independent state and are not guaranteed to perform the same way when installed in customer products. The information contained herein is provided without representation or warranty of any kind, whether express or implied, including, but not limited to, the suitability of IDT's products for any particular purpose, an implied warranty of merchantability, or non-infringement of the intellectual property rights of others. This document is presented only as a guide and does not convey any license under intellectual property rights of IDT or any third parties.

IDT's products are not intended for use in applications involving extreme environmental conditions or in life support systems or similar devices where the failure or malfunction of an IDT product can be reasonably expected to significantly affect the health or safety of users. Anyone using an IDT product in such a manner does so at their own risk, absent an express, written agreement by IDT.

Integrated Device Technology, IDT and the IDT logo are trademarks or registered trademarks of IDT and its subsidiaries in the United States and other countries. Other trademarks used herein are the property of IDT or their respective third party owners. For datasheet type definitions and a glossary of common terms, visit www.idt.com/go/glossary. Integrated Device Technology, Inc. All rights reserved.

Mouser Electronics

Authorized Distributor

Click to View Pricing, Inventory, Delivery & Lifecycle Information:

[IDT \(Integrated Device Technology\):](#)

[9DB833AGILFT](#) [9DB833AFLFT](#) [9DB833AFILF](#) [9DB833AFILFT](#) [9DB833AFLF](#) [9DB833AGLF](#) [9DB833AGILF](#)
[9DB833AGLFT](#)