

**MICRO SWITCH**

**SWITCH - ENCLOSED**

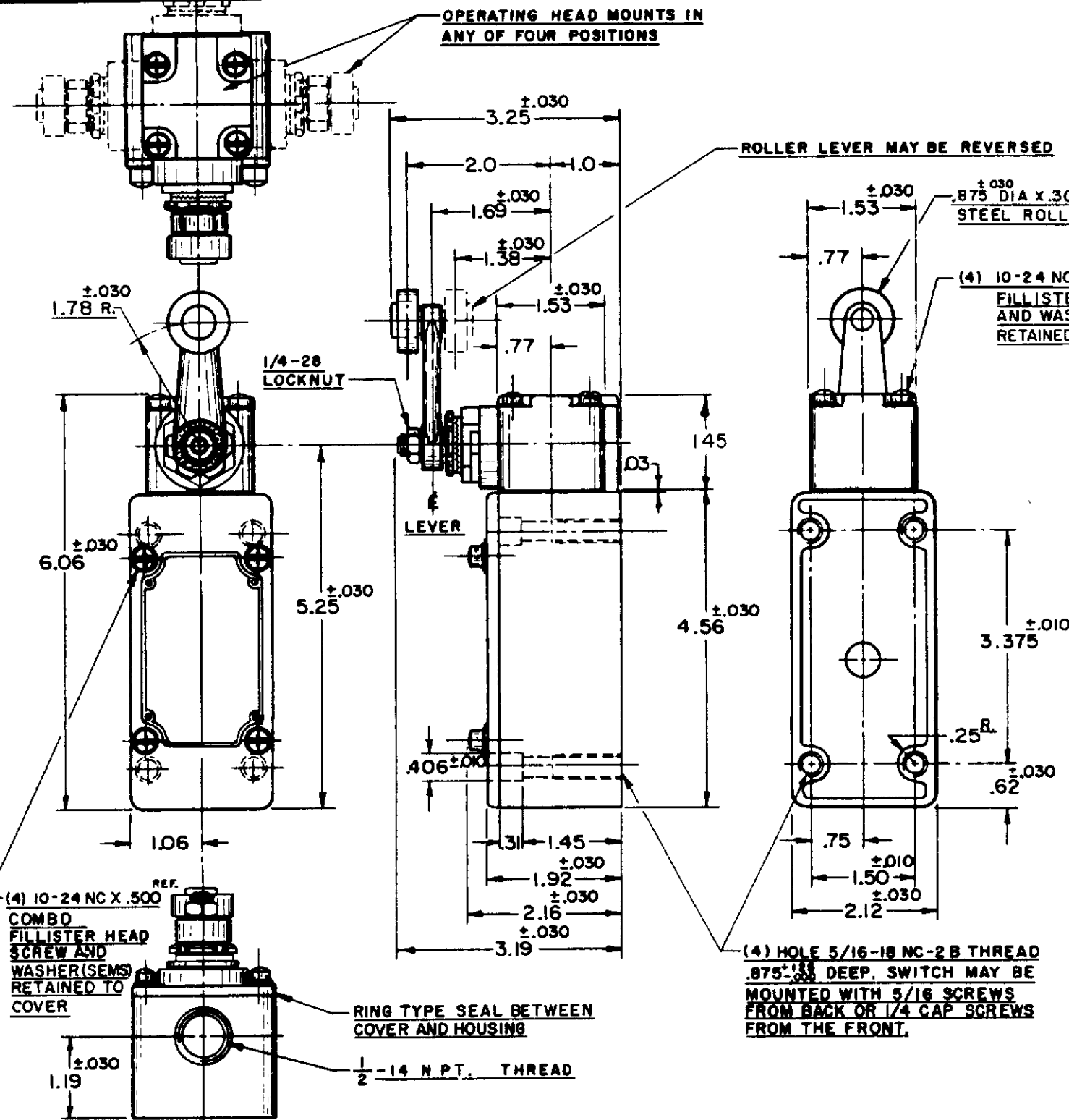
CATALOG LISTING  
**151ML1**

THIS DRAWING COVERS A PROPRIETARY ITEM AND IS THE PROPERTY OF MICRO SWITCH A DIVISION OF HONEYWELL THIS DRAWING IS NOT TO BE COPIED OR USED WITHOUT THE APPROVAL OF MICRO SWITCH



FED. MFR. CODE 91929

(M) 151ML1 ISSUE 4  
 REPLACES  
**151ML1**  
 DRAWING NUMBER  
**M**  
 ISSUE  
**X 8 12**  
 CHECK K.F.M. 4 APR 58  
 RELEASE NO.  
 CHECK J.W.M. 4 APR 58  
 REVISIONS  
 A CO11247  
 D.M.W. 12 MAR 58  
 B CO12789  
 M.B.F. 15 MAY 58  
 C CO18841  
 H.B.W. 21 JAN 59  
 D CO20578  
 M.B.F. DEC 59  
 E CO28084  
 M.B.F. 25 JUNE 69  
 F CO 52124-D  
 T.S.K. 23 SEPT 63  
 G CO55051-B  
 J.A.P. 17 DEC 64  
 H CO74287  
 G.J.W. 22 APR 93  
 CHECK G.C.H. 4 APR 58  
 Q.M.W. 12 MAR 58  
 DRAWN  
 FO-80378 003



- NOTES
- 1 - IT IS ESSENTIAL TO PREVENT ENTRANCE OF HARMFUL AGENTS THRU THE CONDUIT OPENING TO OBTAIN THE FULL BENEFIT OF THE SEALED CONSTRUCTION PROVIDED IN THIS UNIT
  - 2 - SWITCH IS ASSEMBLED FOR ACTUATION IN EITHER DIRECTION
  - 3 - LEVER MAY BE POSITIVELY LOCKED AT INTERVALS OF APPROX 0.4° (870 POSITIONS)
  - 4 - LEVER MAY BE ADJUSTED TO ACTUATE THE SWITCH IN THE CLOCKWISE DIRECTION ONLY, THE COUNTER-CLOCKWISE DIRECTION ONLY, OR IN BOTH DIRECTIONS
  - 5 - TO CONVERT SWITCH FOR ACTUATION IN EITHER CLOCKWISE OR COUNTER-CLOCKWISE DIRECTION ONLY, REMOVE THE HEAD AND SLIDE THE CAM TOWARD THE REAR OF THE HEAD SUFFICIENTLY TO DISENGAGE FROM THE FLATS ON THE SHAFT. ROTATE THE CAM 90° IN THE OPPOSITE DIRECTION OF THE ACTUATION DESIRED AND RE-ENGAGE THE CAM WITH THE FLATS ON THE SHAFT

CHARACTERISTICS	ELECTRICAL DATA (IMNI)	SCALE 1/2 TO 1
OPERATING FORCE-----3 LBS. MAX.	CONTACT ARRANGEMENT TWO CIRCUIT DOUBLE THROW DOUBLE BREAK	DO NOT SCALE PRINT
FULL OVERTRAVEL FORCE-----4 LBS. MAX.	10A-120, 240, 480, OR 600 VAC 1/2 HP-120 VAC, 1 HP-240 VAC 0.8 A-115 VDC, 0.4 A-230 VDC PILOT DUTY 600 VAC MAX	UNLESS OTHERWISE SPECIFIED
RELEASE FORCE-----1/4 LB. MIN.		DIMENSIONS ARE IN INCHES <b>TOLERANCES ARE</b>
PRETRAVEL-----③-----15° MAX.		ONE PLACE (.0) ±.000 TWO PLACE (.00) ±.005 THREE PLACE (.000) ±.000 ANGLES ±
DIFFERENTIAL TRAVEL-----④-----7° MAX.		WEIGHT
OVERTRAVEL-----⑤-----60° MIN.		
SWITCH-BASIC REPLACEMENT-----IMNI		

# Mouser Electronics

Authorized Distributor

Click to View Pricing, Inventory, Delivery & Lifecycle Information:

[Honeywell:](#)

[151ML1](#)