

Board Level Cooling – High Power Extruded 6380



BOARD LEVEL COOLING - High Power Extruded 6380

High Power Extruded 6380 is a board level heat sink designed to cool TO-218, TO-220, TO-220-single gauge, and SIP devices. Representative image only.

ORDERING INFORMATION

Part Number	Device Type
6380BG	TO-218, TO-220, TO-220-single gauge, SIP



HEAT SINK DETAILS

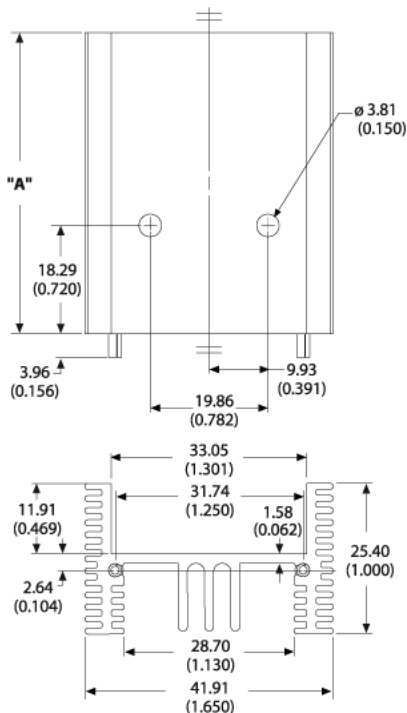
Property	Details
Material	Aluminum
Finish	Black Anodize
Device Attachment Options	Requires Mounting Kit
Thermal Interface Material	-

Property	Details
Heat Sink Width (mm)	41.91
Heat Sink Length (mm)	25.4
Heat Sink Height (mm)	25.4
Heat Sink Mounting Direction	Vertical

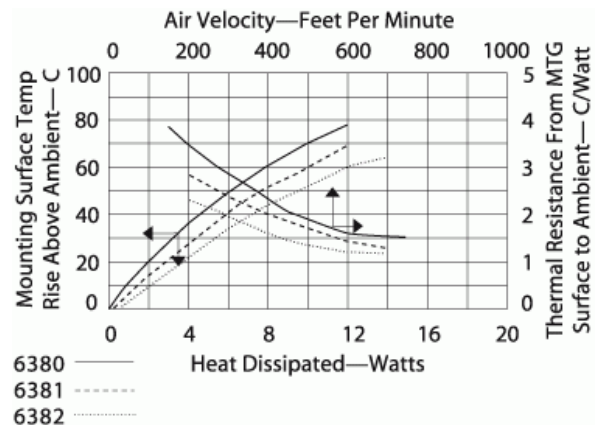
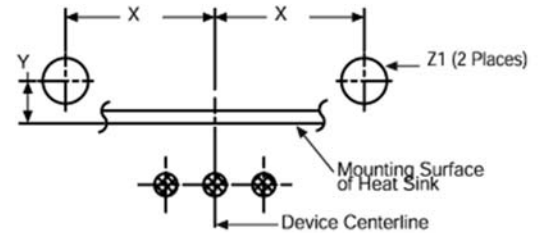
MECHANICAL & PERFORMANCE

Drawing dimensions are shown in mm, (in)

Part Number	"A" Dim	"X" Dim	"Y" Dim	"Z" Dim
6380BG	25.4 (1.00)	15.88 (0.625)	2.64 (0.104)	2.67 (0.105)



Mounting Details:



Mouser Electronics

Authorized Distributor

Click to View Pricing, Inventory, Delivery & Lifecycle Information:

[Aavid Thermalloy:](#)

[6380BG](#)