

THIS DRAWING IS UNPUBLISHED. RELEASED FOR PUBLICATION
 © COPYRIGHT - By - ALL RIGHTS RESERVED.

LOC	DIST	REVISIONS					
AD	39	P	LTR	DESCRIPTION	DATE	DWN	APVD
		U3		REVISED PER ECO-11-004587	11MAR11	RK	HMR

NOTES	MARKING	C	B	A	NO OF POSN	PART NUMBER
SUPERSEDED BY 3-87499-4	△	-	45.85 [1.805]	20.32 [.800]	22.86 [.900]	18 8-87499-9
SUPERSEDED BY 3-87499-2	△	-	43.31 [1.705]	20.32 [.800]	20.32 [.800]	17 8-87499-8
SUPERSEDED BY 3-87499-0	△	-	40.77 [1.605]	17.78 [.700]	20.32 [.800]	16 8-87499-7
SUPERSEDED BY 2-87499-8	△	-	38.23 [1.505]	17.78 [.700]	17.78 [.700]	15 8-87499-6
SUPERSEDED BY 2-87499-6	△	-	35.69 [1.405]	15.24 [.600]	17.78 [.700]	14 8-87499-5
SUPERSEDED BY 2-87499-4	△	-	33.15 [1.305]	15.24 [.600]	15.24 [.600]	13 8-87499-4
SUPERSEDED BY 2-87499-2	△	-	30.61 [1.205]	12.70 [.500]	15.24 [.600]	12 8-87499-3
SUPERSEDED BY 2-87499-0	△	-	28.07 [1.105]	12.70 [.500]	12.70 [.500]	11 8-87499-2
SUPERSEDED BY 1-87499-8	△	-	25.53 [1.005]	10.16 [.400]	12.70 [.500]	10 8-87499-1
SUPERSEDED BY 1-87499-6	△	-	22.99 [.905]	10.16 [.400]	10.16 [.400]	9 8-87499-0
OBSOLETE	△	-	20.45 [.805]	7.62 [.300]	10.16 [.400]	8 7-87499-9
SUPERSEDED BY 87499-2	△	-	17.91 [.705]	7.62 [.300]	7.62 [.300]	7 7-87499-8
SUPERSEDED BY 1-87499-2	△	-	15.37 [.605]	5.08 [.200]	7.62 [.300]	6 7-87499-7
SUPERSEDED BY 1-87499-0	△	-	12.83 [.505]	5.08 [.200]	5.08 [.200]	5 7-87499-6
SUPERSEDED BY 87499-8	△	-	10.29 [.405]	2.54 [.100]	5.08 [.200]	4 7-87499-5
SUPERSEDED BY 87499-6	△	-	7.75 [.305]	2.54 [.100]	2.54 [.100]	3 7-87499-4
SUPERSEDED BY 87499-4	△	-	5.21 [.205]	-	2.54 [.100]	2 7-87499-3
		-	2.67 [.105]	-	-	1 7-87499-2
SUPERSEDED BY 7-87499-2	-	ALL	2.67 [.105]	-	-	1 7-87499-1
		-	91.57 [3.605]	43.18 [1.700]	45.72 [1.800]	36 7-87499-0
OBSOLETE	-	ALL	91.57 [3.605]	43.18 [1.700]	45.72 [1.800]	36 6-87499-9
OBSOLETE	-	-	89.03 [3.505]	43.18 [1.700]	43.18 [1.700]	35 6-87499-8
OBSOLETE	-	ALL	89.03 [3.505]	43.18 [1.700]	43.18 [1.700]	35 6-87499-7
OBSOLETE	-	-	86.49 [3.405]	40.64 [1.600]	43.18 [1.700]	34 6-87499-6
OBSOLETE	-	ALL	86.49 [3.405]	40.64 [1.600]	43.18 [1.700]	34 6-87499-5
OBSOLETE	-	-	83.95 [3.305]	40.64 [1.600]	40.64 [1.600]	33 6-87499-4
OBSOLETE	-	ALL	83.95 [3.305]	40.64 [1.600]	40.64 [1.600]	33 6-87499-3
OBSOLETE	-	-	81.41 [3.205]	38.10 [1.500]	40.64 [1.600]	32 6-87499-2
OBSOLETE	-	ALL	81.41 [3.205]	38.10 [1.500]	40.64 [1.600]	32 6-87499-1
OBSOLETE	-	-	78.87 [3.105]	38.10 [1.500]	38.10 [1.500]	31 6-87499-0
OBSOLETE	-	ALL	78.87 [3.105]	38.10 [1.500]	38.10 [1.500]	31 5-87499-9
		-	76.33 [3.005]	35.56 [1.400]	38.10 [1.500]	30 5-87499-8
OBSOLETE	-	ALL	76.33 [3.005]	35.56 [1.400]	38.10 [1.500]	30 5-87499-7
OBSOLETE	-	-	73.79 [2.905]	35.56 [1.400]	35.56 [1.400]	29 5-87499-6
OBSOLETE	-	ALL	73.79 [2.905]	35.56 [1.400]	35.56 [1.400]	29 5-87499-5
		-	71.25 [2.805]	33.02 [1.300]	35.56 [1.400]	28 5-87499-4
OBSOLETE	-	ALL	71.25 [2.805]	33.02 [1.300]	35.56 [1.400]	28 5-87499-3
OBSOLETE	-	-	68.71 [2.705]	33.02 [1.300]	33.02 [1.300]	27 5-87499-2
OBSOLETE	-	ALL	68.71 [2.705]	33.02 [1.300]	33.02 [1.300]	27 5-87499-1
OBSOLETE	-	-	66.17 [2.605]	30.48 [1.200]	33.02 [1.300]	26 5-87499-0
OBSOLETE	-	ALL	66.17 [2.605]	30.48 [1.200]	33.02 [1.300]	26 4-87499-9
OBSOLETE	-	-	63.63 [2.505]	30.48 [1.200]	30.48 [1.200]	25 4-87499-8

MARKING	C	B	A	NO OF POSN	PART NUMBER	
△	OBSOLETE	ALL	63.63 [2.505]	30.48 [1.200]	30.48 [1.200]	25 4-87499-7
△	OBSOLETE	-	61.09 [2.405]	27.94 [1.100]	30.48 [1.200]	24 4-87499-6
△	OBSOLETE	ALL	61.09 [2.405]	27.94 [1.100]	30.48 [1.200]	24 4-87499-5
△	OBSOLETE	-	58.55 [2.305]	27.94 [1.100]	27.94 [1.100]	23 4-87499-4
△	OBSOLETE	ALL	58.55 [2.305]	27.94 [1.100]	27.94 [1.100]	23 4-87499-3
		-	56.01 [2.205]	25.40 [1.000]	27.94 [1.100]	22 4-87499-2
SUPERSEDED BY 4-87499-2	ALL	56.01 [2.205]	25.40 [1.000]	27.94 [1.100]	22 4-87499-1	
		-	53.47 [2.105]	25.40 [1.000]	25.40 [1.000]	21 4-87499-0
OBSOLETE	ALL	53.47 [2.105]	25.40 [1.000]	25.40 [1.000]	21 3-87499-9	
		-	50.93 [2.005]	22.86 [.900]	25.40 [1.000]	20 3-87499-8
	ALL	50.93 [2.005]	22.86 [.900]	25.40 [1.000]	20 3-87499-7	
△	OBSOLETE	-	48.39 [1.905]	22.86 [.900]	22.86 [.900]	19 3-87499-6
OBSOLETE	ALL	48.39 [1.905]	22.86 [.900]	22.86 [.900]	19 3-87499-5	
		-	45.85 [1.805]	20.32 [.800]	22.86 [.900]	18 3-87499-4
SUPERSEDED BY 3-87499-4	ALL	45.85 [1.805]	20.32 [.800]	22.86 [.900]	18 3-87499-3	
		-	43.31 [1.705]	20.32 [.800]	20.32 [.800]	17 3-87499-2
OBSOLETE	ALL	43.31 [1.705]	20.32 [.800]	20.32 [.800]	17 3-87499-1	
		-	40.77 [1.605]	17.78 [.700]	20.32 [.800]	16 3-87499-0
	ALL	40.77 [1.605]	17.78 [.700]	20.32 [.800]	16 2-87499-9	
		-	38.23 [1.505]	17.78 [.700]	17.78 [.700]	15 2-87499-8
	ALL	38.23 [1.505]	17.78 [.700]	17.78 [.700]	15 2-87499-7	
		-	35.69 [1.405]	15.24 [.600]	17.78 [.700]	14 2-87499-6
	ALL	35.69 [1.405]	15.24 [.600]	17.78 [.700]	14 2-87499-5	
		-	33.15 [1.305]	15.24 [.600]	15.24 [.600]	13 2-87499-4
	ALL	33.15 [1.305]	15.24 [.600]	15.24 [.600]	13 2-87499-3	
		-	30.61 [1.205]	12.70 [.500]	15.24 [.600]	12 2-87499-2
	ALL	30.61 [1.205]	12.70 [.500]	15.24 [.600]	12 2-87499-1	
		-	28.07 [1.105]	12.70 [.500]	12.70 [.500]	11 2-87499-0
	ALL	28.07 [1.105]	12.70 [.500]	12.70 [.500]	11 1-87499-9	
		-	25.53 [1.005]	10.16 [.400]	12.70 [.500]	10 1-87499-8
	ALL	25.53 [1.005]	10.16 [.400]	12.70 [.500]	10 1-87499-7	
		-	22.99 [.905]	10.16 [.400]	10.16 [.400]	9 1-87499-6
	ALL	22.99 [.905]	10.16 [.400]	10.16 [.400]	9 1-87499-5	
		-	20.45 [.805]	7.62 [.300]	10.16 [.400]	8 1-87499-4
	ALL	20.45 [.805]	7.62 [.300]	10.16 [.400]	8 1-87499-3	
		-	15.37 [.605]	5.08 [.200]	7.62 [.300]	6 1-87499-2
	ALL	15.37 [.605]	5.08 [.200]	7.62 [.300]	6 1-87499-1	
		-	12.83 [.505]	5.08 [.200]	5.08 [.200]	5 1-87499-0
	ALL	12.83 [.505]	5.08 [.200]	5.08 [.200]	5 87499-9	
		-	10.29 [.405]	2.54 [.100]	5.08 [.200]	4 87499-8
	ALL	10.29 [.405]	2.54 [.100]	5.08 [.200]	4 87499-7	
		-	7.75 [.305]	2.54 [.100]	2.54 [.100]	3 87499-6
	ALL	7.75 [.305]	2.54 [.100]	2.54 [.100]	3 87499-5	
		-	5.21 [.205]	-	2.54 [.100]	2 87499-4
	ALL	5.21 [.205]	-	2.54 [.100]	2 87499-3	
		-	17.91 [.705]	7.62 [.300]	7.62 [.300]	7 87499-2
	ALL	17.91 [.705]	7.62 [.300]	7.62 [.300]	7 87499-1	

THIS DRAWING IS A CONTROLLED DOCUMENT.

DWN E. BRANDBERG 21-JUN-95
 CHK S. SHUEY 21-JUN-95
 APVD D. DUPLER 21-JUN-95

TE Connectivity

HOUSING, MOD IV, SINGLE ROW, .100 CL, CRIMP SNAP-IN

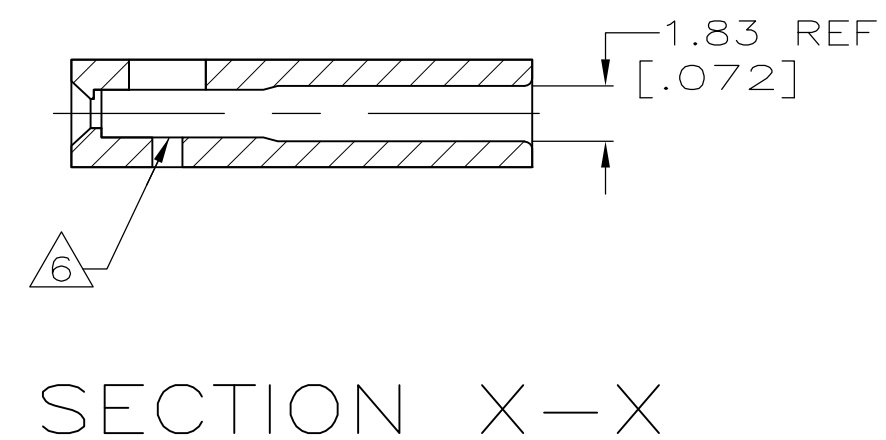
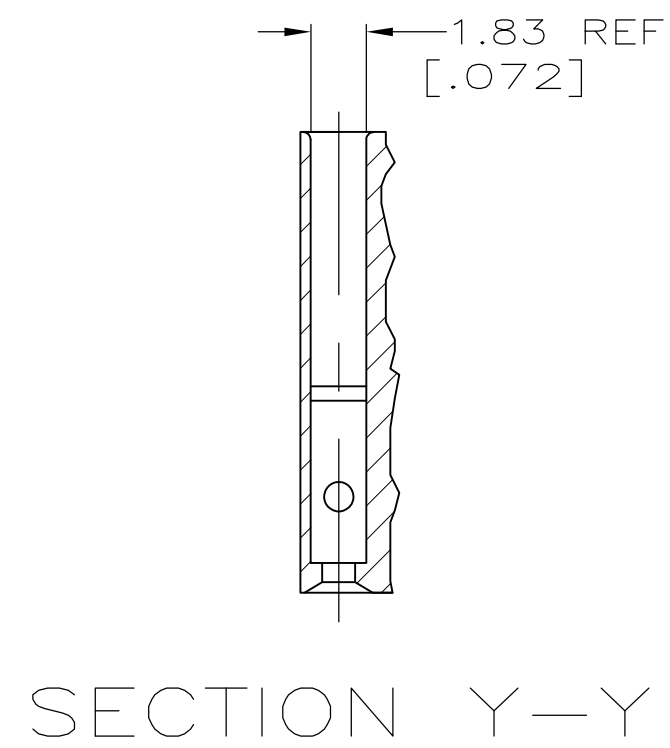
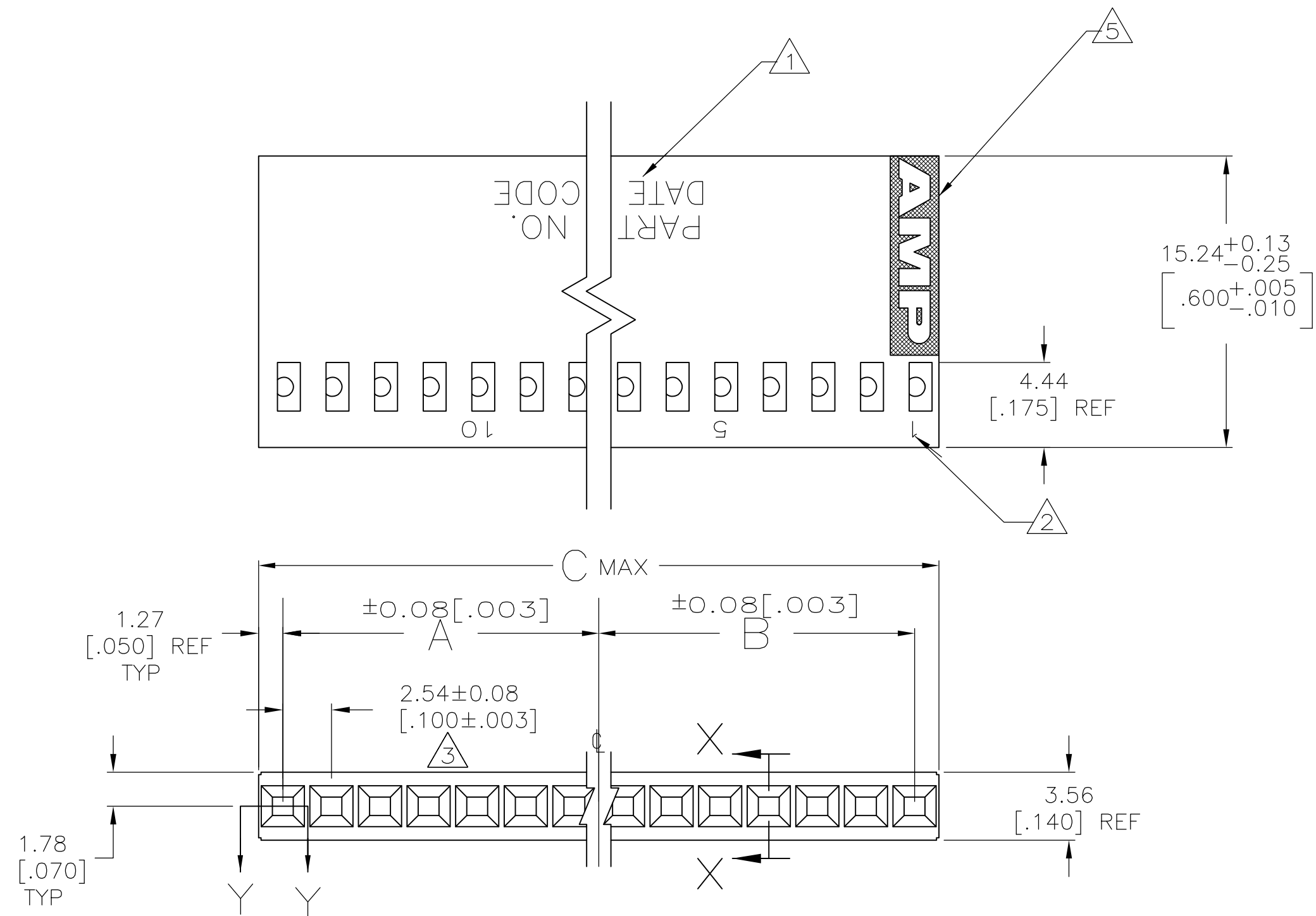
SIZE A2 CAGE CODE 00779 DRAWING NO C=87499 RESTRICTED TO -

MATERIAL FLAME RETARDANT FINISH - WEIGHT - SCALE 4:1 SHEET 1 OF 2 REV U3

CUSTOMER DRAWING

THIS DRAWING IS UNPUBLISHED. RELEASED FOR PUBLICATION
 © COPYRIGHT - By - ALL RIGHTS RESERVED.

LOC	DIST	REVISIONS					
		P	LTR	DESCRIPTION	DATE	DWN	APVD
AD	39	-	-	SEE SHEET 1	-	-	-



- ① PART NO & DATE CODE MARKED (WHITE), .062±0.15 HIGH CHARS. IN APPROX. AREA SHOWN WHEN HOUSING SIZE PERMITS.
- ② CAVITY IDENT. MARKED (WHITE), .046±0.15 HIGH CHARS., FIRST & EVERY FIFTH CAVITY, ONE SIDE AS SHOWN.
- ③ TOLERANCE NON-CUMULATIVE.
- 4. USE EXTRACTION TOOL 91052-1 TO REMOVE RECEPTACLE CONTACTS.
- ⑤ AMP LOGO MOLDED IN TEXTURED AREA AS SHOWN.
- ⑥ FLASH ALLOWED TO BE .015 IN THIS AREA.
- ⑦ OBSOLETE PARTS: OBSOLETE CIS STREAMLINING PER D.RENAUD/D.SINISI

THIS DRAWING IS A CONTROLLED DOCUMENT.		DWN E. BRANDBERG 21-JUN-95																				
DIMENSIONS: mm		CHK S. SHUEY 21-JUN-95																				
TOLERANCES UNLESS OTHERWISE SPECIFIED:		APVD D. DUPLER 21-JUN-95	NAME HOUSING, MOD IV, SINGLE ROW, .100 CL, CRIMP SNAP-IN																			
<table border="1"> <tr><td>0 PLC</td><td>±</td><td>-</td></tr> <tr><td>1 PLC</td><td>±</td><td>-</td></tr> <tr><td>2 PLC</td><td>±</td><td>0.13[.005]</td></tr> <tr><td>3 PLC</td><td>±</td><td>-</td></tr> <tr><td>4 PLC</td><td>±</td><td>-</td></tr> <tr><td>ANGLES</td><td>±</td><td>-</td></tr> </table>		0 PLC	±	-	1 PLC	±	-	2 PLC	±	0.13[.005]	3 PLC	±	-	4 PLC	±	-	ANGLES	±	-	PRODUCT SPEC -	SIZE A2	CAGE CODE 00779
0 PLC	±	-																				
1 PLC	±	-																				
2 PLC	±	0.13[.005]																				
3 PLC	±	-																				
4 PLC	±	-																				
ANGLES	±	-																				
MATERIAL FLAME RETARDANT		FINISH -	WEIGHT -	DRAWING NO C=87499																		
CUSTOMER DRAWING			SCALE 4:1	SHEET 2 OF 2																		
			RESTRICTED TO -	REV U3																		

Mouser Electronics

Authorized Distributor

Click to View Pricing, Inventory, Delivery & Lifecycle Information:

[TE Connectivity:](#)

[1-87499-6](#)