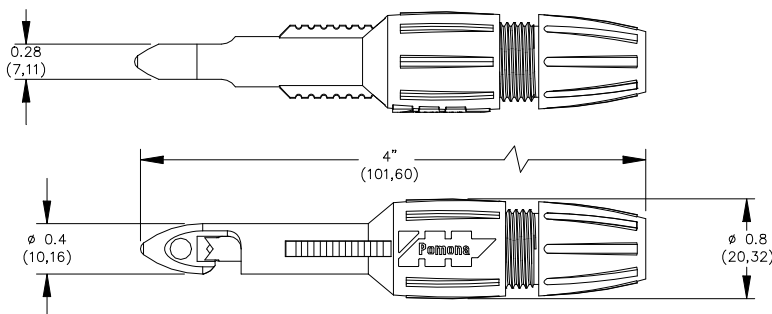


**Models 6405 and 6413
Insulation Piercing Clips**



Features

- Make contact with insulated wires without cutting or stripping insulation.
- Spring loaded double "V" clamp holds wire centered for piercing needle.
- Pierces insulation on wires from 22 to 14 AWG (0.030" through 0.180" diameter).
- Tiny hole left in insulation can easily be sealed.
- High visibility bright yellow body.
- 6405 mates with standard .16" (4mm) banana plug test leads, with or without safety shroud (e.g. 5907A or "B" series patch cords).
- 6413 mates with standard .080" (2mm) standard pin tip test probe (e.g. 5519A).
- Red or black color-coded cap for easy identification.
- Rotating banana jack will not twist test lead while the needle is screwed into wire.

Materials

Piercing Tip:	hardened stainless steel
Spring:	steel
Jack:	brass
Insulation (jack, body, tip):	nylon red or black caps with high visibility yellow nylon

Ratings

Operating Voltage:	33 Vrms or 70 Vdc Max.
Current:	1 Amperes Max.

Ordering Information

Models:

6405, for banana plug connections, set includes two clips, one red and one black

6413, for pin tip connections, set includes two clips, one red and one black

USA: Sales: 800-490-2361
 Technical Support: technicalsupport@pomonatest.com
 Fax: 425-446-5844
Europe: 31-(0) 40 2675 150 **International:** 425-446-5500
Where to Buy: www.pomonaelectronics.com

All dimensions are in inches. Tolerances (except noted): .xx = \pm .02" (.51 mm), .xxx = \pm .005" (.127 mm). All specifications are to the latest revisions. Specifications are subject to change without notice. Registered trademarks are the property of their respective companies.

Mouser Electronics

Authorized Distributor

Click to View Pricing, Inventory, Delivery & Lifecycle Information:

Pomona:

[6405/POM](#) [6413](#) [6580-24-0](#) [6580-24-2](#)