

rev	ecn no	dr	date
A	V06-0148	LP	2006/04/24
B	V06-0558	LP	2006/06/21
C	V07-0618	LP	2007/10/15
D	V09-0071	PK	2009/02/24

A

B

C

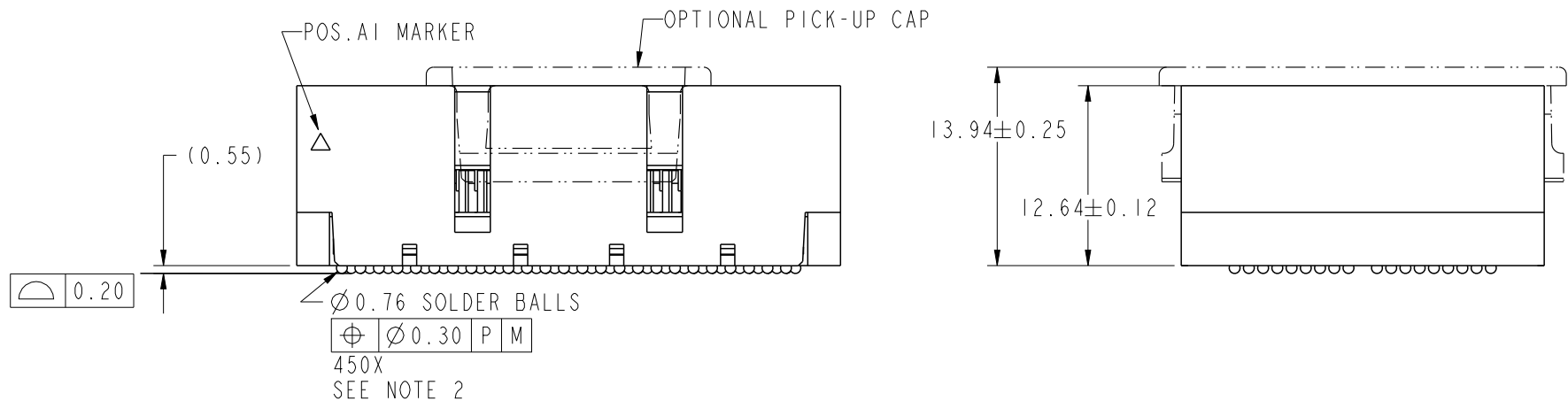
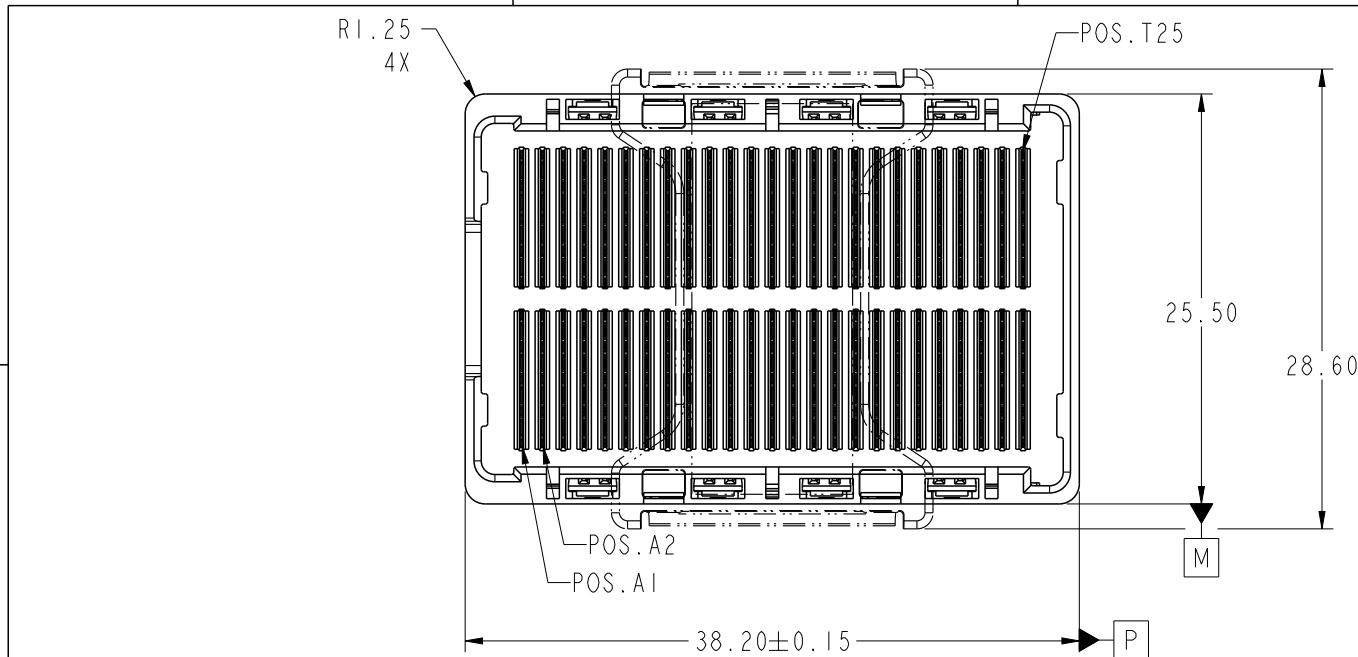
D

A

B

C

D



spec ref	-	dr	Bill Lin	2010/02/02	projection	mm	size	A4	scale	1:1												
tolerance std	ASME Y14.5	eng	Nickor Zuo	2011/06/15			ecn no		ELX-DG-003943-1													
	TOLERANCES UNLESS OTHERWISE SPECIFIED	chr	Alex Cao	2011/06/24			rel level		Released													
surface	<table border="1"> <tr> <td>linear</td> <td>0.X</td> <td><math>\pm 0.30</math></td> </tr> <tr> <td></td> <td>0.XX</td> <td><math>\pm 0.10</math></td> </tr> <tr> <td></td> <td>0.XXX</td> <td><math>\pm 0.05</math></td> </tr> <tr> <td>angular</td> <td>0°</td> <td><math>\pm 2^\circ</math></td> </tr> </table>	linear	0.X	$\pm 0.30$		0.XX	$\pm 0.10$		0.XXX	$\pm 0.05$	angular	0°	$\pm 2^\circ$	appr	Pei-Ming Zheng	2011/06/27	product family		GIG-Array		rev	E
linear	0.X	$\pm 0.30$																				
	0.XX	$\pm 0.10$																				
	0.XXX	$\pm 0.05$																				
angular	0°	$\pm 2^\circ$																				
				title GIG-Array - 13mm PLUG ASSY 200 SIG POS.			dwg no 10060910		sheet 1 of 5													
		www.fci.com		cat. no.		Product - Customer Drw																

ProjE File - REV C - 2009-06-09

2

3

PDS: Rev :E

STATUS:Released

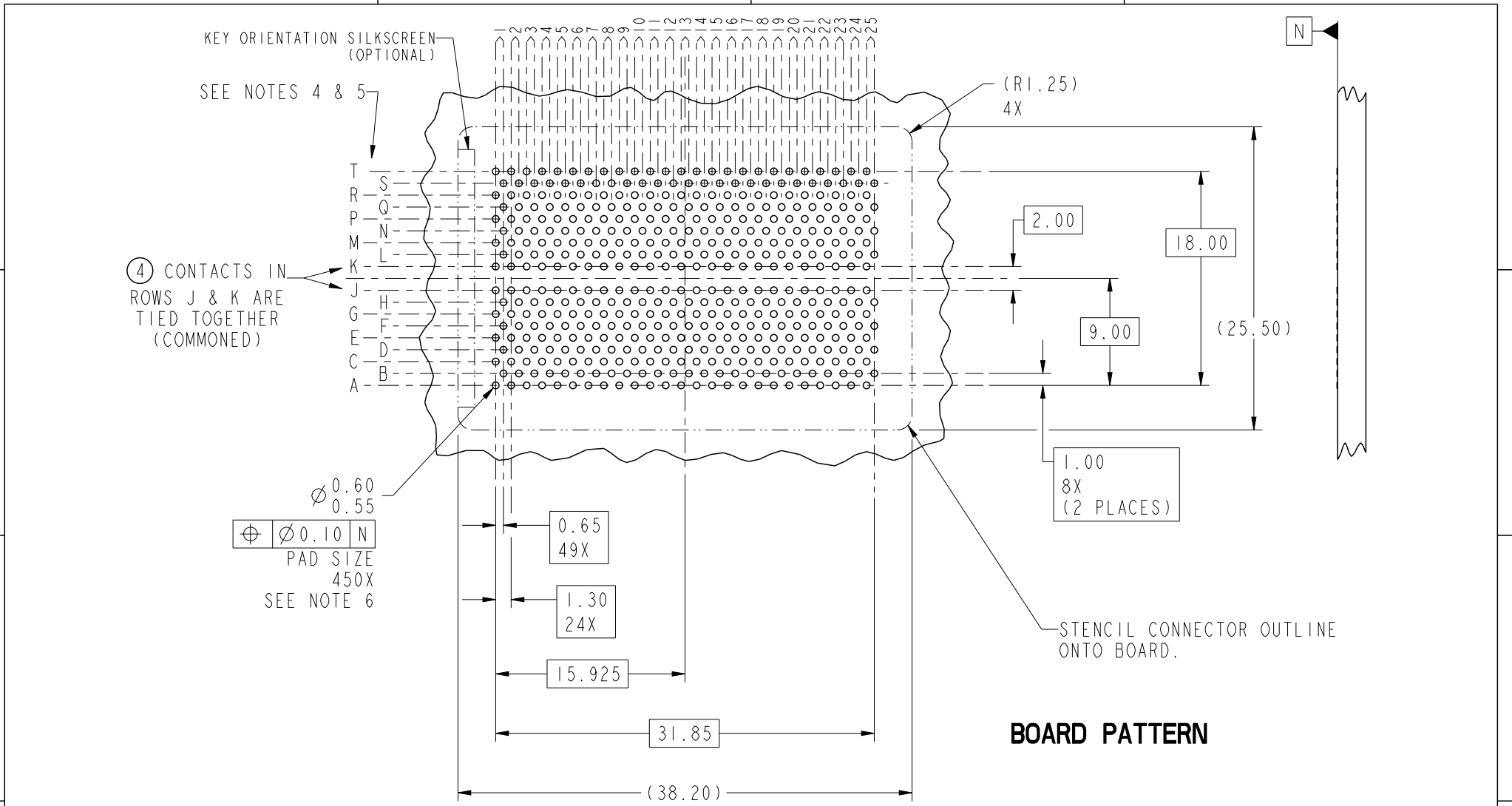
Printed: Jun 27, 2011

**FCI**

Copyright FCI.



Copyright FCI.

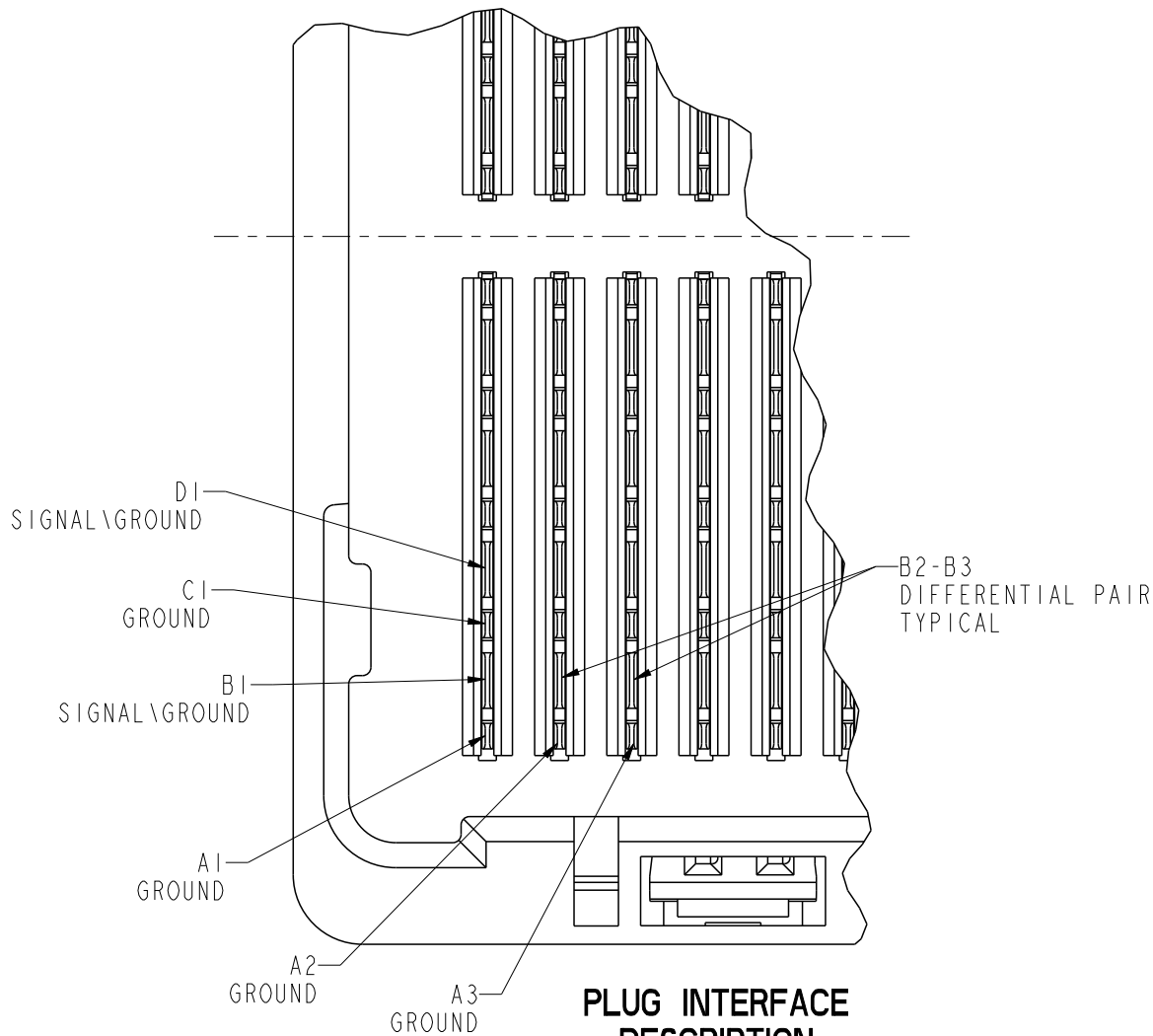


spec ref	-	dr	Bill Lin	2010/02/02	projection	mm	size	A4	scale	1:1			
tolerance std	ASME Y14.5	eng	Nickor Zuo	2011/06/15			ecn no		ELX-DG-003943-1				
TOLERANCES UNLESS OTHERWISE SPECIFIED		chr	Alex Cao	2011/06/24			rel level		Released				
surface	✓	appr	Pei-Ming Zheng	2011/06/27			product family		GIG-Array				
	linear				title		GIG-Array - 13mm PLUG		dwg no		10060910	rev	E
	angular				cat. no.		Product - Customer Drw		sheet 2 of 5				
					www.fci.com								

PrdE File - REV C - 2009-06-09



Copyright FCI.

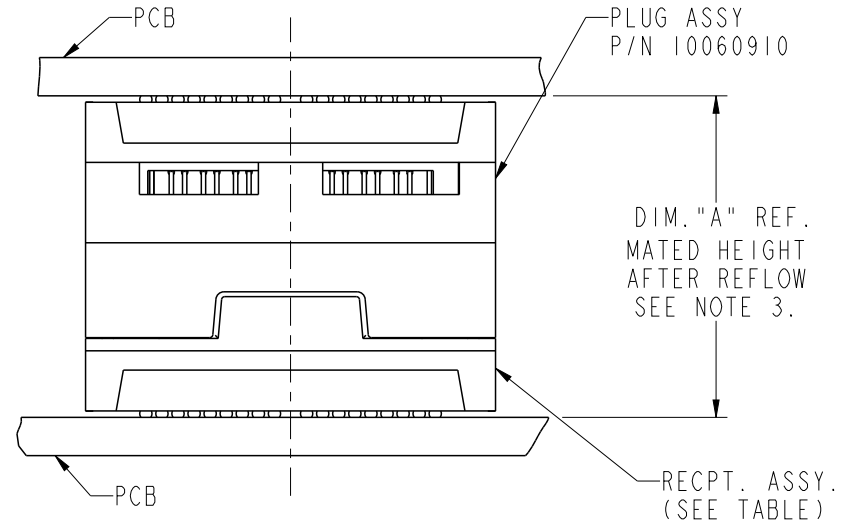
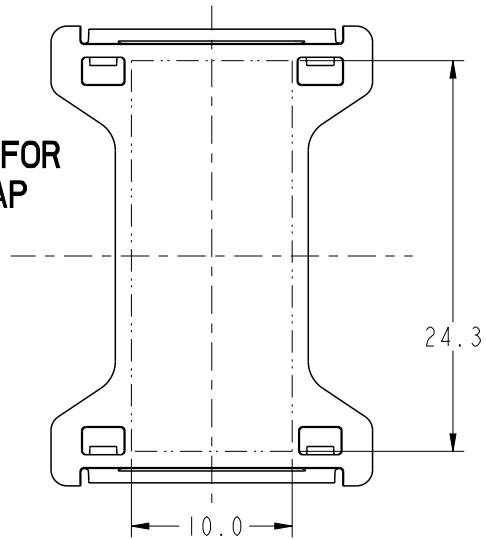


**PLUG INTERFACE DESCRIPTION**

spec ref		-		dr	Bill Lin	2010/02/02	projection 	mm 	size	A4	scale	1:1		
tolerance std	ASME Y14.5	TOLERANCES UNLESS OTHERWISE SPECIFIED				eng			Nickor Zuo	2011/06/15	ecn no	ELX-DG-003943-1		
						chr			Alex Cao	2011/06/24		product family	GIG-Array	
surface	✓	linear	0.X	±0.30	 <b>www.fci.com</b>	title GIG-Array - 13mm PLUG ASSY 200 SIG POS.			dwg no 10060910	rev <b>E</b>				
			0.XX	±0.10										
			0.XXX	±0.05										
		angular	0°	±2°	cat. no.	Product - Customer Drw			sheet 3 of 5					

PreE File - REV C - 2009-06-09

FLAT AREA FOR PICK-UP CAP



END VIEW OF MATED CONNECTORS

DIM. "A"	RECPT. ASSY. P/N
28	55741
18	55740



Copyright FCI.

spec ref		-		dr	Bill Lin	2010/02/02	projection 	mm 	size	A4	scale	1:1	
tolerance std	ASME Y14.5	TOLERANCES UNLESS OTHERWISE SPECIFIED		eng	Nickor Zuo	2011/06/15			ecn no	ELX-DG-003943-1			
				chr	Alex Cao	2011/06/24							
-		-		appr	Pei-Ming Zheng	2011/06/27	product family	GIG-Array		rel level	Released		
surface		linear	0.X	±0.30		title	GIG-Array - 13mm PLUG		dwg no	10060910		rev	E
			0.XX	±0.10									
			0.XXX	±0.05									
-	-	angular	0°	±2°	www.fci.com	cat. no.	Product - Customer Drw		sheet 4 of 5				

PRODUCT NUMBER	SOLDER BALL COMPOSITION	CONTACT PLATING PERFORMANCE LEVEL
10060910-001	STANDARD (EUTECTIC)	PERFORMANCE-BASED PLATING, QUALIFIED TO MEET THE REQUIREMENTS OF FCI PRODUCT SPECIFICATION GS-12-192, INCLUDING TELCORDIA CENTRAL OFFICE  Au over Ni
10060910-001LF	LEADFREE	
10060910-201	STANDARD (EUTECTIC)	
10060910-201LF	LEADFREE	

**NOTES:**

- ① MAT'L:  
HOUSING: LCP  
CONTACT: COPPER ALLOY  
PLATING (CONTACT): Au OVER Ni.  
UL RATING: 94 V-0
- ② SOLDER BALLS WILL NOT BE PERFECT SPHERICAL SHAPE DUE TO REFLOW ATTACHMENT.
- ③ MATED HEIGHT EFFECTED BY CUSTOMERS' PCB PAD SIZE, PLATING, SOLDER REFLOW PROFILE & SOLDER PASTE.
- ④ CONTACTS IN ROWS A,C,E,G,J,K,M,P,R AND T ARE SINGLE BEAM CONTACTS, TYPICALLY USED AS GROUND PINS. (NOTE: CONTACTS IN ROWS J & K ARE TIED TOGETHER [COMMONED])
- ⑤ CONTACTS IN ROWS B,D,F,H,L,N,Q AND S ARE DUAL BEAM CONTACTS, TYPICALLY USED AS SIGNAL PINS.
- ⑥ SPECIFIED POSITIONAL TOLERANCE DEFINES PAD TO PAD LOCATION WITHIN LAND PATTERN. POSITIONAL TOLERANCE OF LAND PATTERN TO FUDICIAL MARKS OR PCB DATUMS SHALL BE DEFINED BY CUSTOMER. FOR RECOMMENDED PRODUCT APPLICATION AND PCB DESIGN DETAILS, SEE DOC. NO. GS-20-016.
- ⑦ FOR PROPER APPLICATION FOLLOW FCI APPLICATION SPECIFICATION GS-20-033 LEADFREE SOLDER BALLS WILL NOT SOLDER PROPERLY IN A LEADED SOLDER PROCESS DUE TO A HIGHER REFLOW TEMPERATURE, LEADFREE PRODUCT IS THEREFORE NOT BACKWARDS COMPATIBLE WITH LEADED OR SOME SOLDERING APPLICATIONS. REFERENCE FCI APPLICATION SPECIFICATION.
- ⑧ THIS PRODUCT MEETS THE EUROPEAN UNION DIRECTIVES AND OTHER COUNTRY REGULATIONS AS DESCRIBED IN GS-22-008. PRODUCT MEETING WITH THIS DIRECTIVE IS IDENTIFIED IN THE LOT CODE NUMBER MARKED ON EACH PART BY HAVING AN "X" IN THE SEVENTH CHARACTER POSITION.

spec ref	-	dr	Bill Lin	2010/02/02	projection 	mm 	size	A4	scale	1:1	
tolerance std	TOLERANCES UNLESS OTHERWISE SPECIFIED	eng	Nickor Zuo	2011/06/15			ecn no	ELX-DG-003943-1			
ASME Y14.5		chr	Alex Cao	2011/06/24			product family	GIG-Array		rel level	Released
surface	linear	appr	Pei-Ming Zheng	2011/06/27	title	GIG-Array - 13mm PLUG ASSY 200 SIG POS.	dwg no	10060910	rev	E	
-		angular	0°	±2°							www.fci.com

# Mouser Electronics

Authorized Distributor

Click to View Pricing, Inventory, Delivery & Lifecycle Information:

[FCI / Amphenol:](#)

[10060910-001](#) [10060910-001LF](#) [10060910-201](#) [10060910-201LF](#)