

4

3

2

1

THIS DRAWING IS UNPUBLISHED.

RELEASED FOR PUBLICATION

- . - .

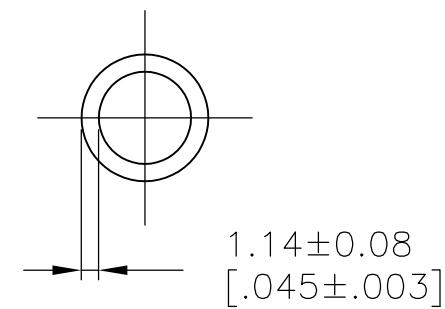
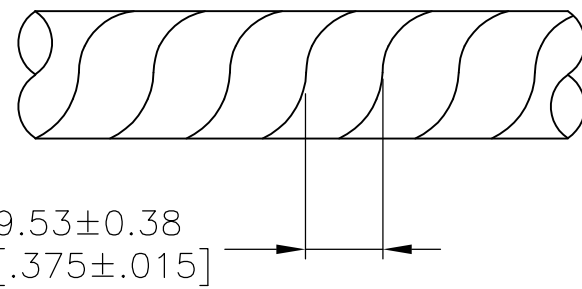
© COPYRIGHT - BY TYCO ELECTRONICS CORPORATION.

ALL RIGHTS RESERVED.

LOC
CMDIST
0

REVISIONS

P	LTR	DESCRIPTION	DATE	DWN	APVD
	AJ2	ECO-06-017742	27JUL06	BSV	DC
	AJ3	REVISED PER ECO-09-021510	10SEP09	KK	AEG



1. MAX BUNDLE RANGE: 4.78[.188] TO 50.80[2.000].
2. WEIGHT PER 304.8M[1000ft]: 5.22kg[11.5lb].
3. OVERALL LENGTH TO BE WITHIN +1 Ft -0 Ft.
4. ONE SPLICE PER BOX IS ALLOWABLE.
5. OBSOLETE PARTS: OBSOLETE CIS STREAMLINING PER D.RENAUD/D.SINISI

SUBSIDIARY USE ONLY	LENGTH	COLOR	PART NUMBER
	30.48M [100 FT] BOX	BLACK	500030-2- ⁵
	15.24M [50 FT] BOX	BLACK	500030-1

THIS DRAWING IS A CONTROLLED DOCUMENT.		DWN W.CHANDLER 03JAN94	Tyco Electronics Corporation Harrisburg, PA 17105-3608	
DIMENSIONS: mm [INCHES]		CHK W.CHANDLER 03JAN94		
TOLERANCES UNLESS OTHERWISE SPECIFIED:		APVD W.CHANDLER 03JAN94	NAME SPIRAP, POLYETHYLENE, OUTDOOR, 1/4 INCH DIAMETER	
		PRODUCT SPEC	RESTRICTED TO	
MATERIAL POLYETHYLENE		FINISH -	WEIGHT -	SIZE A3
		CUSTOMER DRAWING	CAGE CODE 00779	DRAWING NO C-500030
		SCALE 2:1	SHEET 1 OF 1	REV AJ3

Mouser Electronics

Authorized Distributor

Click to View Pricing, Inventory, Delivery & Lifecycle Information:

[TE Connectivity:](#)

[500030-1](#)