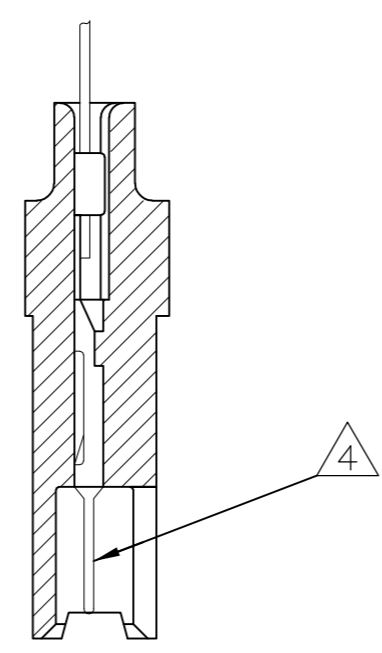
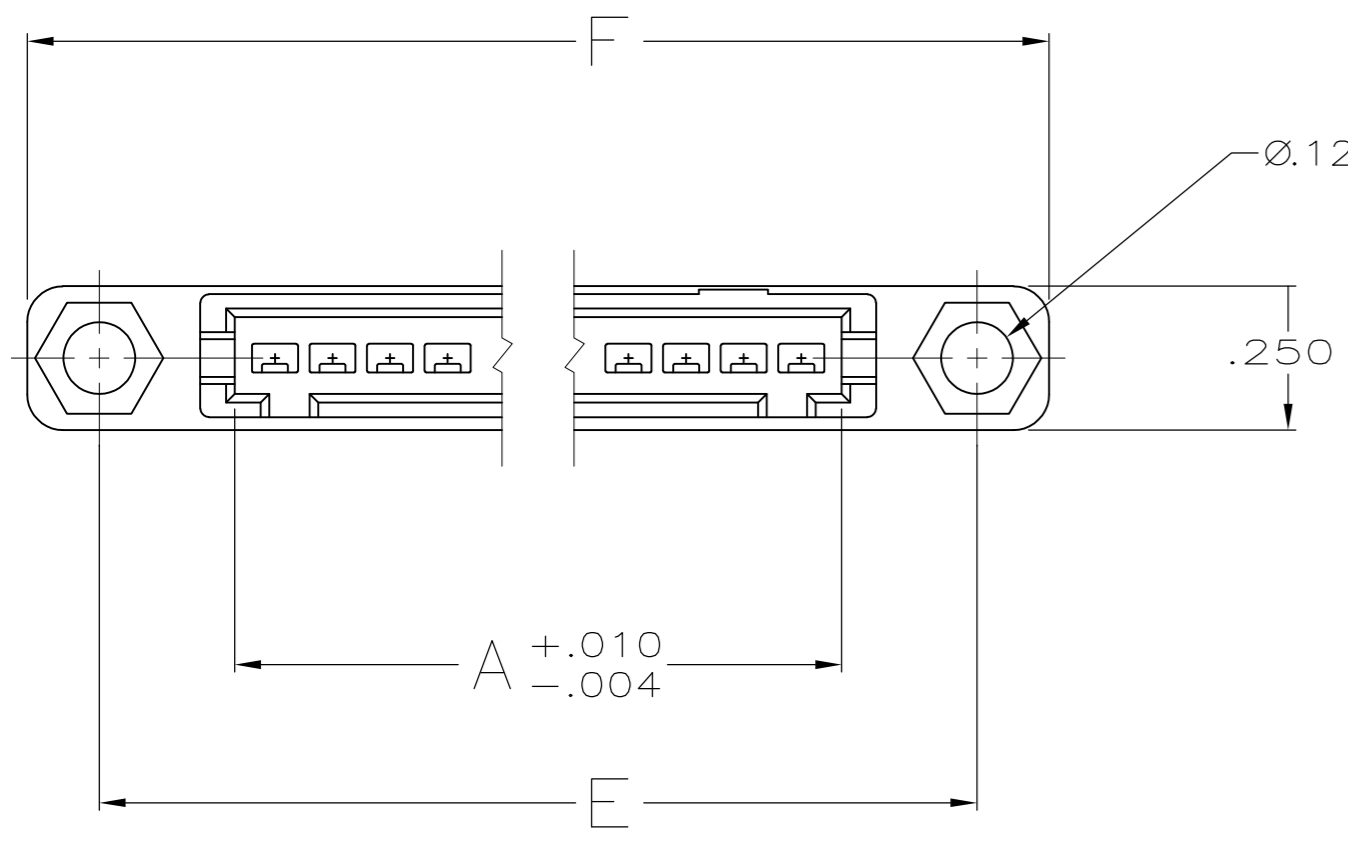
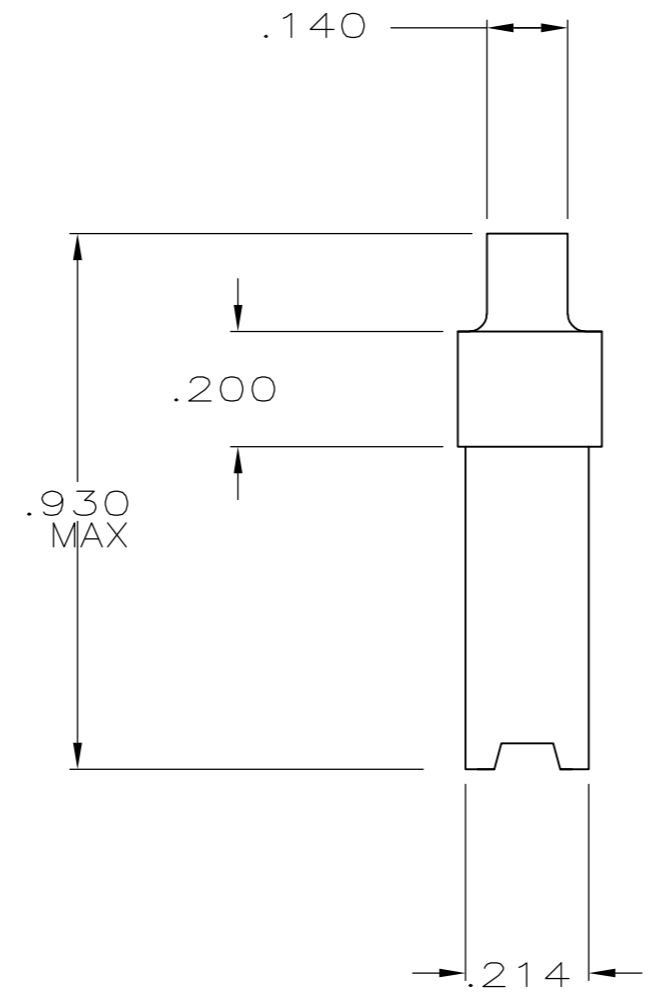
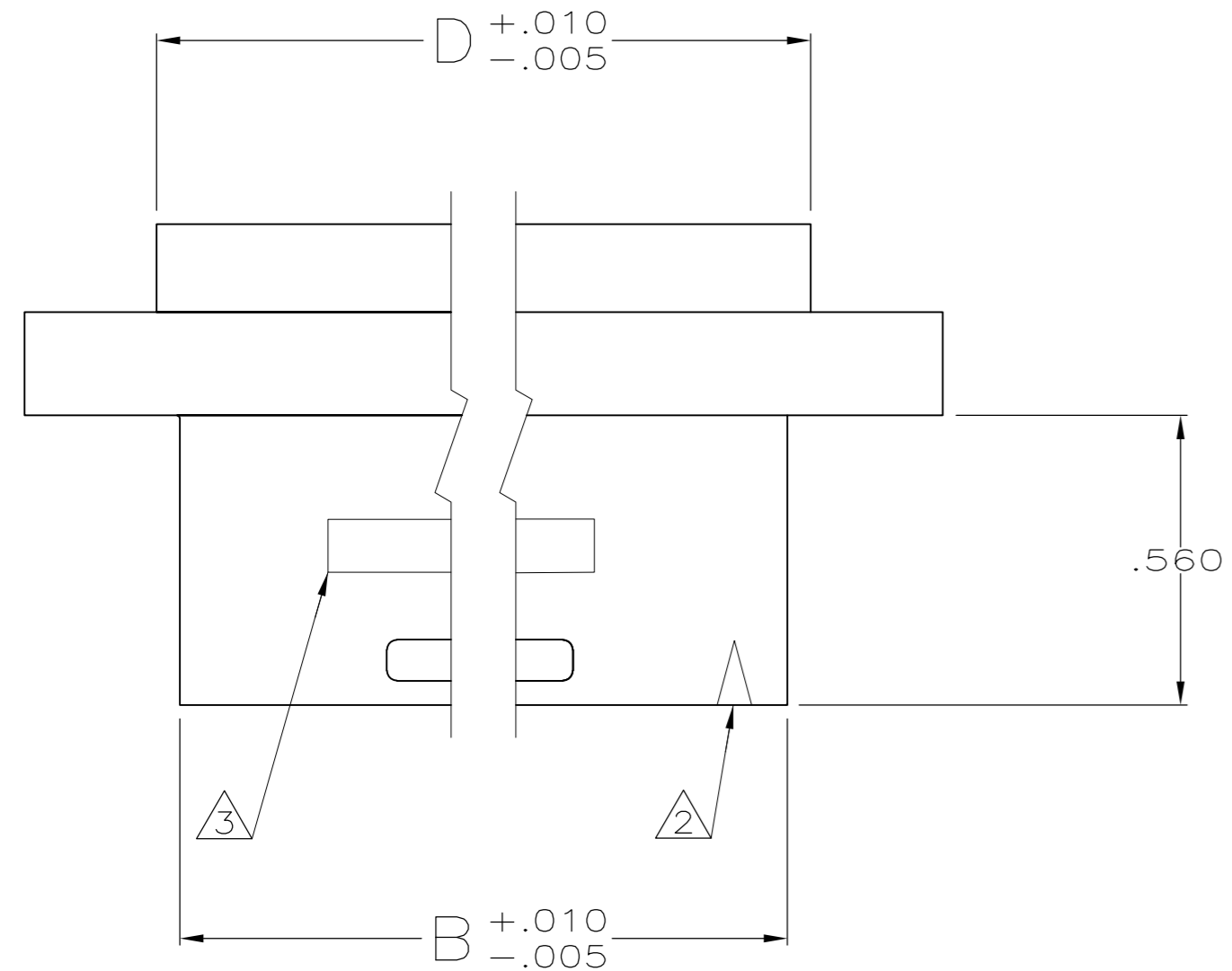
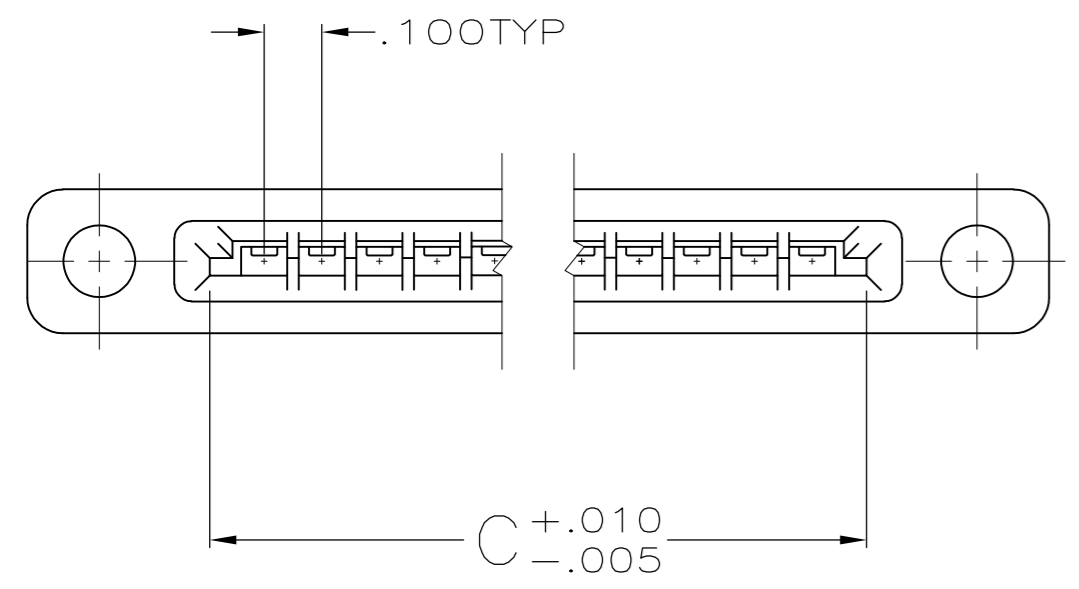


THIS DRAWING IS UNPUBLISHED. RELEASED FOR PUBLICATION
 © COPYRIGHT - By - ALL RIGHTS RESERVED.

| LOC | | DIST | | REVISIONS | | | |
|-----|-----|---------------------------|-----------|-----------|------|--|--|
| P | LTR | DESCRIPTION | DATE | DWN | APVD | | |
| | | | | | | | |
| | T2 | REVISED PER ECO-13-019961 | 19DEC2013 | RW | WH | | |
| | T1 | REVISED PER ECO-09-020932 | 08SEP09 | KK | AEQ | | |

- HOUSING WILL ACCOMMODATE FLEXIBLE FLAT CONDUCTOR CABLE
 .050 OR .062 WIDE CONDUCTORS ON .100 CENTERS AND/OR
 #32-22 AWG WIRE WITH INSULATION RANGE .025-.056 DIA.
- INDICATES POSITION 1, SURFACE TEXTURE TO CONTRAST WITH REST OF HOUSING.
- AMP TRADEMARK MOLDED IN THIS AREA.
- PIN CONTACTS MUST BE ORDERED SEPARATELY.
- OBSOLETE PART NUMBER.
- GLASS-FILLED PBT, BLACK, UL V-0.
- OBSOLETE PARTS: OBSOLETE CIS STREAMLINING PER D.RENAUD/D.SINISI



CRIMPED CONTACT SHOWN FOR REF ONLY

| | | | | | | | | |
|-------|-------|-------|-------|-------|-------|----|---|------------|
| 4.260 | 4.010 | 3.750 | 3.626 | 3.660 | 3.540 | 35 | 5 | 3-485897-3 |
| 4.160 | 3.910 | 3.650 | 3.526 | 3.560 | 3.440 | 34 | 5 | 3-485897-2 |
| 4.060 | 3.810 | 3.550 | 3.426 | 3.460 | 3.340 | 33 | 5 | 3-485897-1 |
| 3.960 | 3.710 | 3.450 | 3.326 | 3.360 | 3.240 | 32 | 5 | 3-485897-0 |
| 3.860 | 3.610 | 3.350 | 3.226 | 3.260 | 3.140 | 31 | 5 | 2-485897-9 |
| 3.760 | 3.510 | 3.250 | 3.126 | 3.160 | 3.040 | 30 | 5 | 2-485897-8 |
| 3.660 | 3.410 | 3.150 | 3.026 | 3.060 | 2.940 | 29 | 5 | 2-485897-7 |
| 3.560 | 3.310 | 3.050 | 2.926 | 2.960 | 2.840 | 28 | 5 | 2-485897-6 |
| 3.460 | 3.210 | 2.950 | 2.826 | 2.860 | 2.740 | 27 | 5 | 2-485897-5 |
| 3.360 | 3.110 | 2.850 | 2.726 | 2.760 | 2.640 | 26 | 5 | 2-485897-4 |
| 3.260 | 3.010 | 2.750 | 2.626 | 2.660 | 2.540 | 25 | 5 | 2-485897-3 |
| 3.160 | 2.910 | 2.650 | 2.526 | 2.560 | 2.440 | 24 | 5 | 2-485897-2 |
| 3.060 | 2.810 | 2.550 | 2.426 | 2.460 | 2.340 | 23 | 5 | 2-485897-1 |
| 2.960 | 2.710 | 2.450 | 2.326 | 2.360 | 2.240 | 22 | 5 | 2-485897-0 |
| 2.860 | 2.610 | 2.350 | 2.226 | 2.260 | 2.140 | 21 | 5 | 1-485897-9 |
| 2.760 | 2.510 | 2.250 | 2.126 | 2.160 | 2.040 | 20 | 5 | 1-485897-8 |
| 2.660 | 2.410 | 2.150 | 2.026 | 2.060 | 1.940 | 19 | 5 | 1-485897-7 |
| 2.560 | 2.310 | 2.050 | 1.926 | 1.960 | 1.840 | 18 | 5 | 1-485897-6 |
| 2.460 | 2.210 | 1.950 | 1.826 | 1.860 | 1.740 | 17 | 5 | 1-485897-5 |
| 2.360 | 2.110 | 1.850 | 1.726 | 1.760 | 1.640 | 16 | 5 | 1-485897-4 |
| 2.260 | 2.010 | 1.750 | 1.626 | 1.660 | 1.540 | 15 | 5 | 1-485897-3 |
| 2.160 | 1.910 | 1.650 | 1.526 | 1.560 | 1.440 | 14 | 5 | 1-485897-2 |
| 2.060 | 1.810 | 1.550 | 1.426 | 1.460 | 1.340 | 13 | 5 | 1-485897-1 |
| 1.960 | 1.710 | 1.450 | 1.326 | 1.360 | 1.240 | 12 | 5 | 1-485897-0 |
| 1.860 | 1.610 | 1.350 | 1.226 | 1.260 | 1.140 | 11 | 5 | 485897-9 |
| 1.760 | 1.510 | 1.250 | 1.126 | 1.160 | 1.040 | 10 | 5 | 485897-8 |
| 1.660 | 1.410 | 1.150 | 1.026 | 1.060 | .940 | 9 | 5 | 485897-7 |
| 1.560 | 1.310 | 1.050 | .926 | .960 | .840 | 8 | 5 | 485897-6 |
| 1.460 | 1.210 | .950 | .826 | .860 | .740 | 7 | 5 | 485897-5 |
| 1.360 | 1.110 | .850 | .726 | .760 | .640 | 6 | 5 | 485897-4 |
| 1.260 | 1.010 | .750 | .626 | .660 | .540 | 5 | 5 | 485897-3 |
| 1.160 | .910 | .650 | .526 | .560 | .440 | 4 | 5 | 485897-2 |
| 1.060 | .810 | .550 | .426 | .460 | .340 | 3 | 5 | 485897-1 |

7 OBSOLETE
 OBSOLETE
 OBSOLETE
 OBSOLETE

| F | E | D | C | B | A | NO OF POSN | PART NUMBER |
|--|---|---|---|---|---|------------|-------------------------------|
| THIS DRAWING IS A CONTROLLED DOCUMENT. | | | | | | | DWN KATE HELM 11/07/88 |
| DIMENSIONS: INCHES | | | | | | | CHK D.ROCKER 3-6-89 |
| TOLERANCES UNLESS OTHERWISE SPECIFIED: | | | | | | | APVD - NAME |
| 0 PLC ± - | | | | | | | PRODUCT SPEC - |
| 1 PLC ± - | | | | | | | APPLICATION SPEC - |
| 2 PLC ± - | | | | | | | WEIGHT - |
| 3 PLC ± .005 | | | | | | | SIZE A2 CAGE CODE 00779 |
| 4 PLC ± - | | | | | | | DRAWING NO C=485897 |
| ANGLES ± - | | | | | | | RESTRICTED TO - |
| FINISH - | | | | | | | SCALE 4:1 SHEET 1 of 1 REV T2 |
| MATERIAL 6 | | | | | | | CUSTOMER DRAWING |

Mouser Electronics

Authorized Distributor

Click to View Pricing, Inventory, Delivery & Lifecycle Information:

[TE Connectivity:](#)

[485897-2](#)