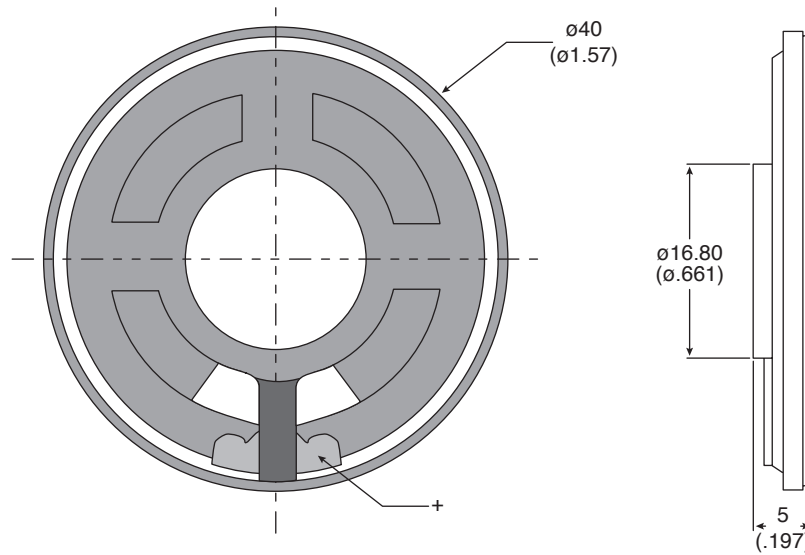
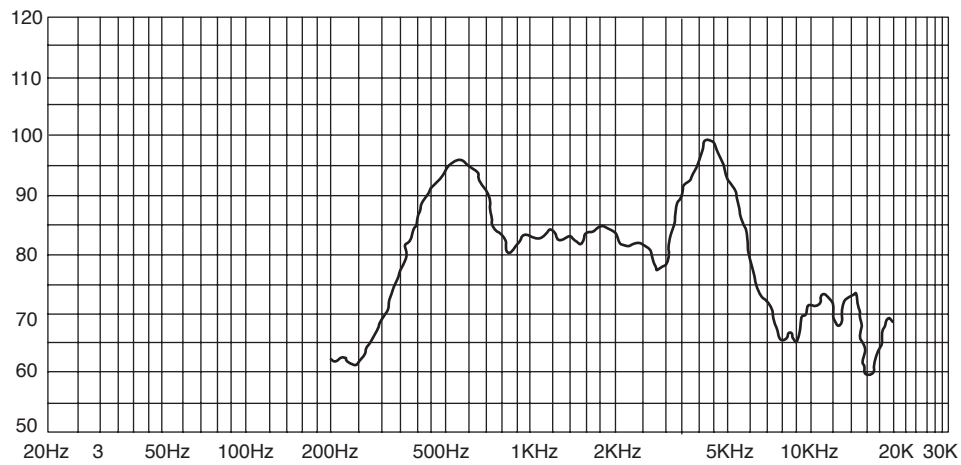


**Part Number:**

254-PS607-RO



Speaker



KT-400254

**Electrical Specifications:**

- Nominal Impedance:  $8\Omega \pm 15\%$  @ 1,000Hz
- Power Rating: Normal 500mW Maximum 1000mW
- Lowest Resonant Frequency:  $550 \pm 150$ Hz.
- Output Sound Pressure Level (S.P.L.):  $84 \pm 3$ dB / 0.5W 0.5 Meter.  
(Secundum IEC-268-5 Status) Avg at 800 ~ 1500Hz.
- Frequency Range: 350 ~ 6,200Hz
- Distortion: 5% at 1,200Hz 500mW

**Material:**

- Magnet: Rare Earth
- Weight: 9.2g

- RoHS Compliant

Available from Mouser Electronics

[www.mouser.com](http://www.mouser.com)

(800) 346-6873

# Mouser Electronics

Authorized Distributor

Click to View Pricing, Inventory, Delivery & Lifecycle Information:

[Kobitone:](#)

[254-PS607-RO](#)