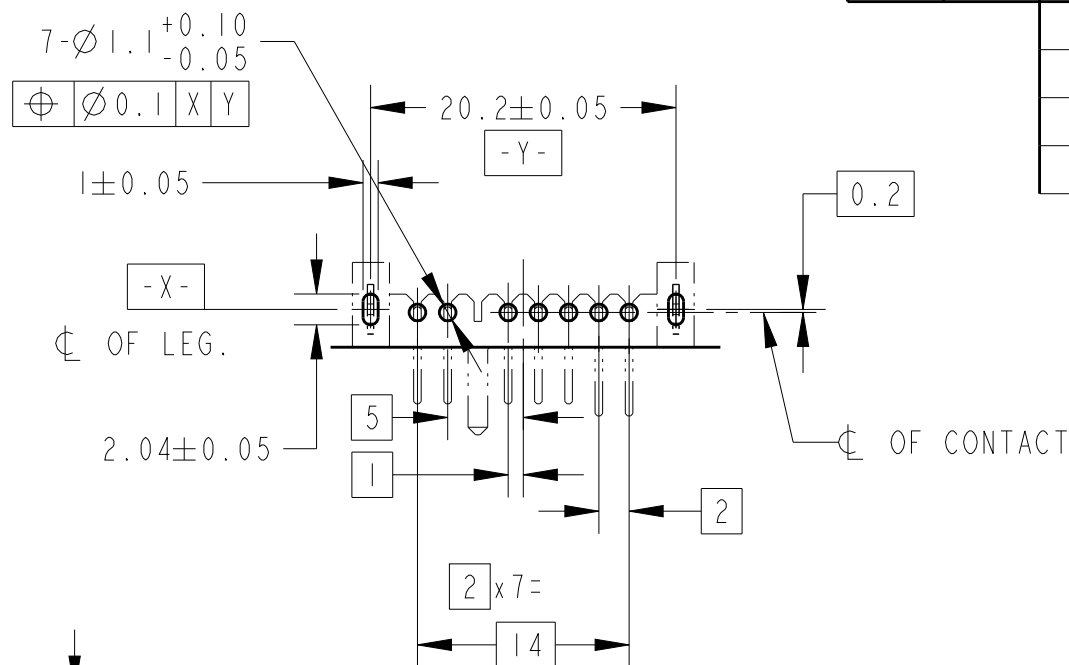
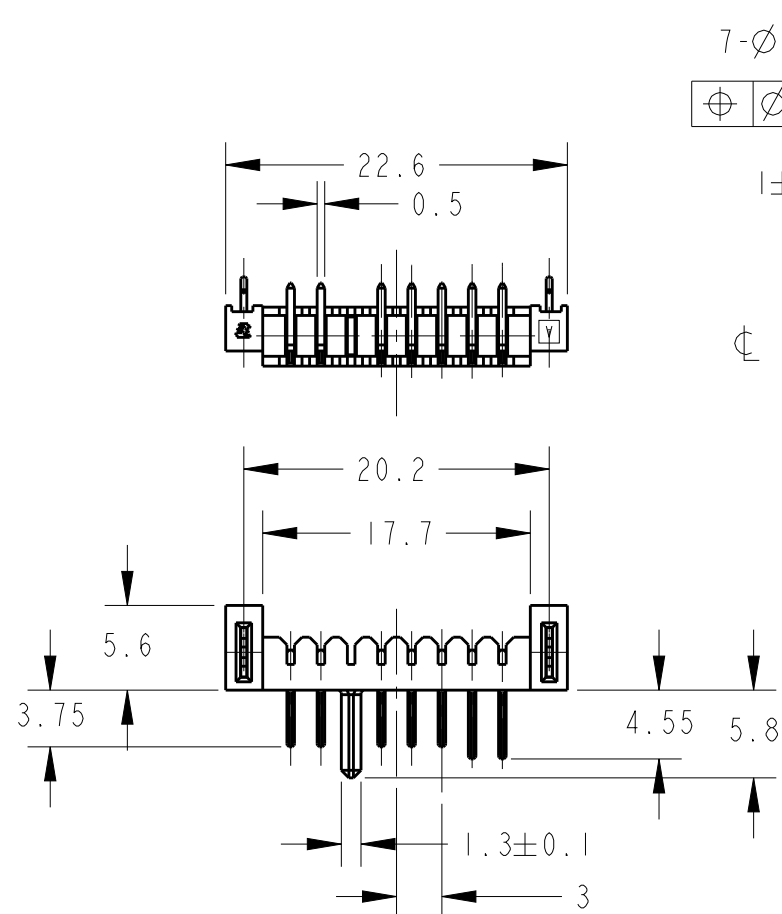


THIS DRAWING IS UNPUBLISHED. RELEASED FOR PUBLICATION 20
 © COPYRIGHT 20 ALL RIGHTS RESERVED.

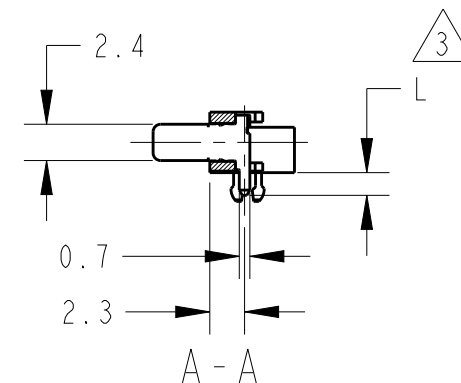
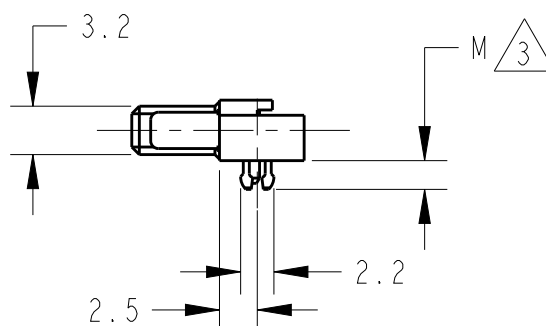
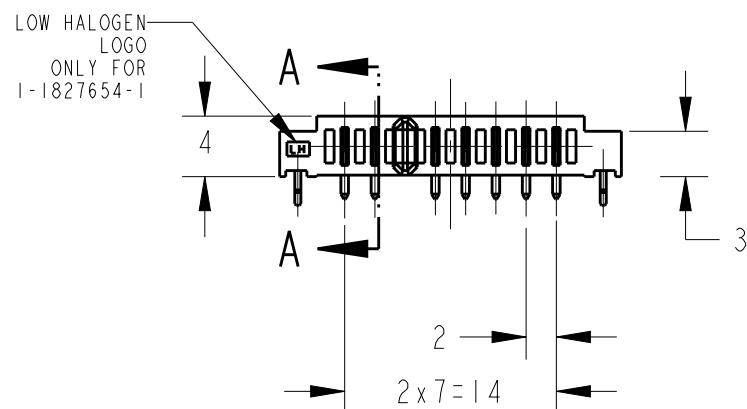
LOC	DIST	REVISIONS				
P	LTR	DESCRIPTION	DATE	DWN	APVD	
ES	-	D1	REVISED PER ECO-11-005033	16APR2011	RK	HMR
		D2	REVISED PER ECR-13-003041	20FEB2013	E, L	S. Y
		D3	REVISED PER ECR-13-007095	26APR2013	E. L	S. Y



1 MATERIAL
 CONTACT: COPPER ALLOY
 HOUSING: THERMOPLASTIC RESIN UL94V-0 BLACK
 RETENTION LEG: COPPER ALLOY

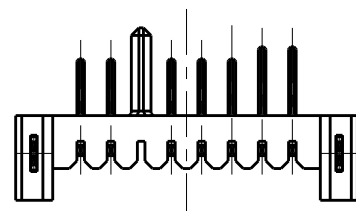
2 FINISH
 CONTACT: NICKEL ALL OVER UNDER PLATING,
 GOLD PLATING AT CONTACT AREA,
 GOLD FLASH PLATING AT LEAD AREA,
 RETENTION LEG: NICKEL ALL OVER UNDER PLATING,
 TIN PLATING.


REFERENCE P.C BOARD LAYOUT
 P.C. BOARD THK. 0.8~1.2
 (VIEW FROM CONNECTOR MOUNTING SIDE)



1827654-1, 1-1827654-1: AS SHOWN

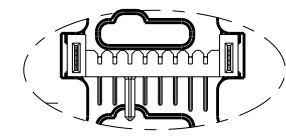
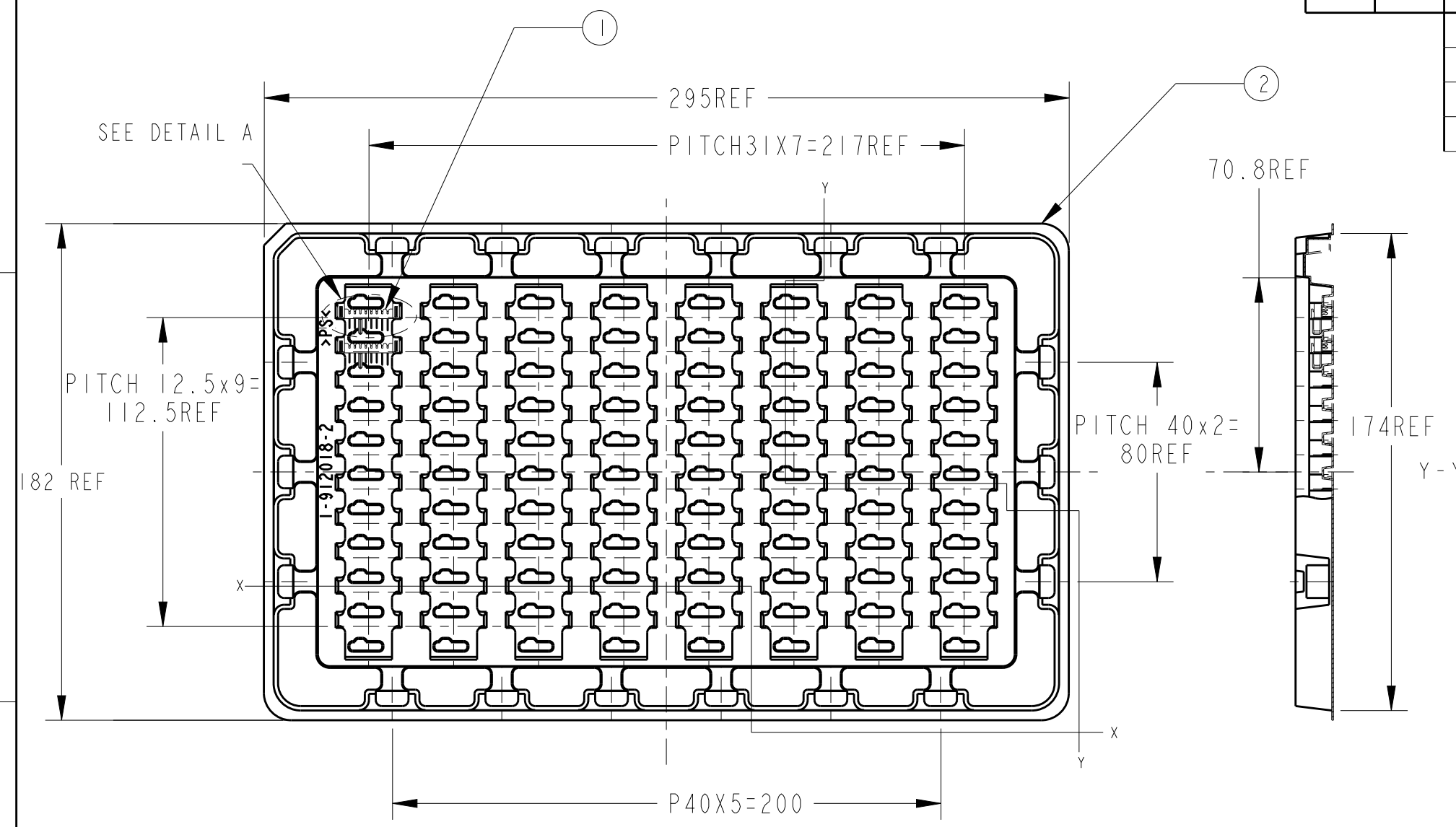
THERMOPLASTIC RESIN (LOW HALOGEN: BR<900PPM, CL<900PPM, BR+CL<1500ppm)	1.9	1.5	1-1827654-1
THERMOPLASTIC RESIN	2.6	2.1	1827654-2
THERMOPLASTIC RESIN	1.9	1.5	1827654-1
HOUSING MATERIAL	DIM "M"	DIM "L"	P/N



THIS DRAWING IS A CONTROLLED DOCUMENT.		DWN T. KATANO 04JUL05	 TE Connectivity	
DIMENSIONS: mm		CHK T. KIMURA 04JUL05		
TOLERANCES UNLESS OTHERWISE SPECIFIED: ±0.3		APVD T. KIMURA 04JUL05		
0 PLC ± 1 PLC ±0.1 2 PLC ±0.01 3 PLC ±0.001 4 PLC ±0.0001 ANGLES ±3°		PRODUCT SPEC 108-78292		
MATERIAL SEE NOTE		FINISH SEE NOTE	NAME PLUG ASSEMBLY 7POS. 2mm PITCH BATTERY CONNECTOR	
WEIGHT 1.0g		CUSTOMER DRAWING	SIZE A3	CAGE CODE 00779
SCALE 2:1		DRAWING NO. 1827654		RESTRICTED TO -
SHEET 1 OF 2		REV D3		

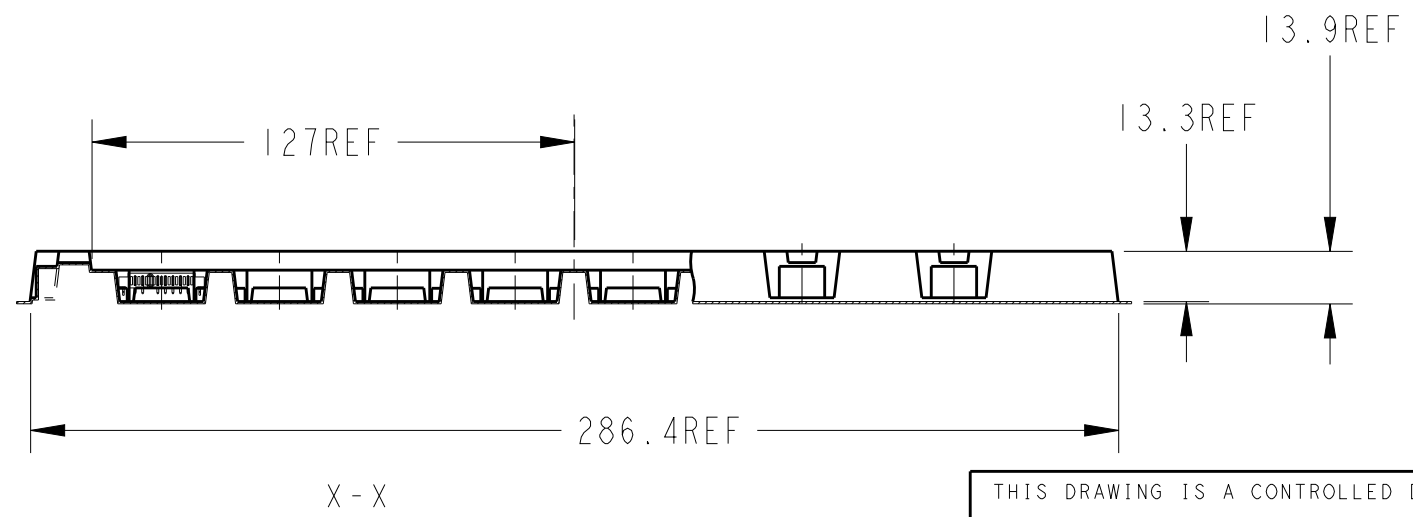
THIS DRAWING IS UNPUBLISHED. RELEASED FOR PUBLICATION 20
 © COPYRIGHT 20 ALL RIGHTS RESERVED.


LOC	DIST	REVISIONS			
P	LTR	DESCRIPTION	DATE	DWN	APVD
ES	-	SEE SHEET 1	-	-	-



DETAIL A
SCALE 1:1

AS SHOWN: 1827654-1/-2
1-1827654-1



THIS DRAWING IS A CONTROLLED DOCUMENT.		DWN T. KATANO 04JUL05	 TE Connectivity	NAME		
DIMENSIONS: mm		CHK T. KIMURA 04JUL05		PLUG ASSEMBLY 7POS. 2mm PITCH BATTERY CONNECTOR		
TOLERANCES UNLESS OTHERWISE SPECIFIED:		APVD T. KIMURA 04JUL05		SIZE	CAGE CODE	DRAWING NO
0 PLC ±.0 1 PLC ±0.1 2 PLC ±0.01 3 PLC ±0.001 4 PLC ±0.0001 ANGLES ±3°		PRODUCT SPEC 108-78292		A3	00779	1827654
MATERIAL SEE NOTE		FINISH SEE NOTE	WEIGHT 1.0g	RESTRICTED TO		
CUSTOMER DRAWING			SCALE 1:1	SHEET 2 OF 2	REV D3	

Mouser Electronics

Authorized Distributor

Click to View Pricing, Inventory, Delivery & Lifecycle Information:

[TE Connectivity:](#)

[1827654-1](#)