

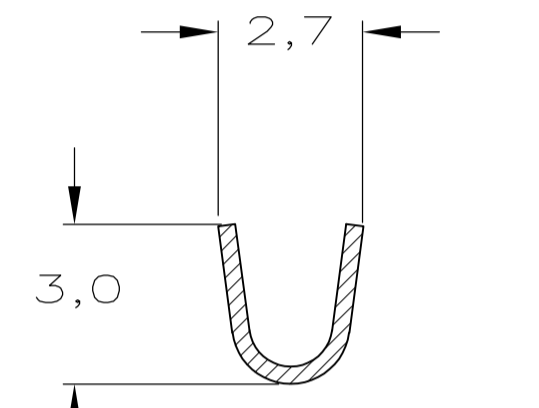
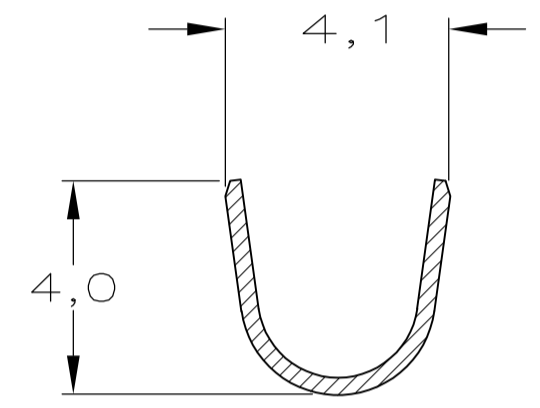
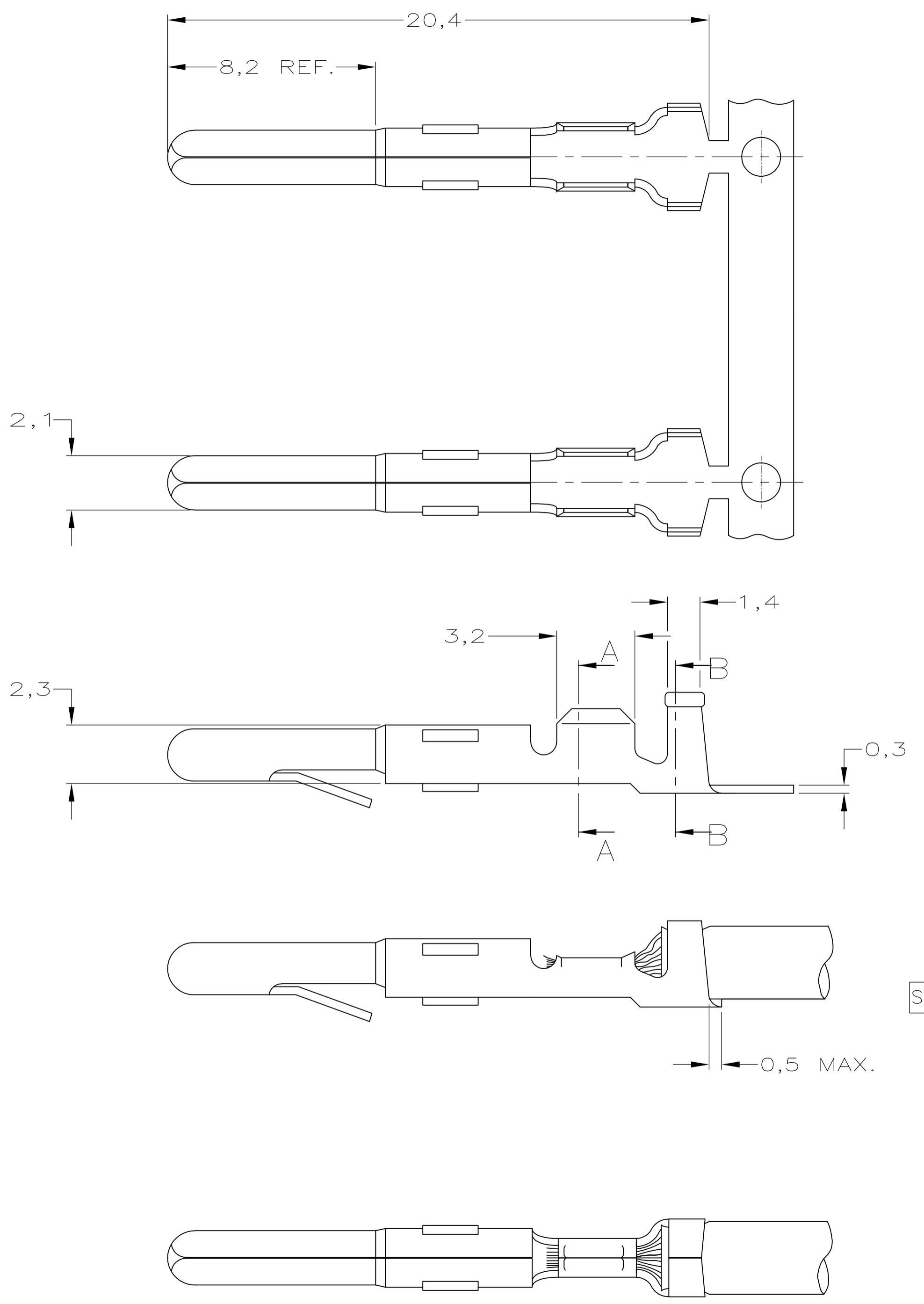
DO NOT SCALE
DIMENSIONS IN mm

METRIC

THIRD ANGLE
PROJECTION

NOTES:

- ① FOR USE ON STANDARD APPLICATORS.(RIGHT-LEFT FEED)
- ② FOR USE ON MINIATURE APPLICATORS.(LEFT-RIGHT FEED)
- ③ FOR USE ON MINIATURE APPLICATORS,
AMP O-MATOR APPLICATION.(LEFT-RIGHT FEED)
- ④ OBSOLETE PARTS: OBSOLETE CIS STREAMLINING PER D.RENAUD/D.SINISI



WIRE RANGE :
0,5-1,0mm² AWG
INSULATION RANGE :
1,8-3,3mm DIA.

④ OBSOLETE	②	SEL. GOLD	-	8-163301-3
④	③ ①		BRASS	1-163301-7
	②	NICKEL	BRASS	1-163301-2
	①	NICKEL	BRASS	1-163301-1
	②	PRE-TINPLATED	PHOSPHOR BR.	163301-8
④ OBSOLETE	②	UNPLATED	PHOSPHOR BR.	163301-7
	②	PRE-TINPLATED	BRASS	163301-6
④ OBSOLETE	②	UNPLATED	BRASS	163301-5
	①	PRE-TINPLATED	PHOSPHOR BR.	163301-4
	①	UNPLATED	PHOSPHOR BR.	163301-3
SUP BY 163301-6	①	PRE-TINPLATED	BRASS	163301-2
	①	UNPLATED	BRASS	163301-1
		PLATING	MATERIAL	PARTNUMBER

CUSTOMER DRAWING					FOR REFERENCE ONLY WILL NOT BE UPDATED	
© COPYRIGHT 19 - BY -					ALL INTERNATIONAL RIGHTS RESERVED.	
THIS DRAWING IS UNPUBLISHED					RELEASED FOR PUBLICATION - ,19 -	
					NAME	
					PIN MATE-N-LOK.	
K2	REVISED PER ECO-11-05294	RK	HMR	05APR11		
DR.: J.V.D.HEIJDEN.	CHK.: A.BIJNEN.	APP.: L.V.SOEST.	DWG.No.		REV.LTR.	SHEET
DATE: 10-04-92	DATE: -	DATE: -	C-163301		K2	1 OF 1

Mouser Electronics

Authorized Distributor

Click to View Pricing, Inventory, Delivery & Lifecycle Information:

[TE Connectivity:](#)

[163301-6](#)