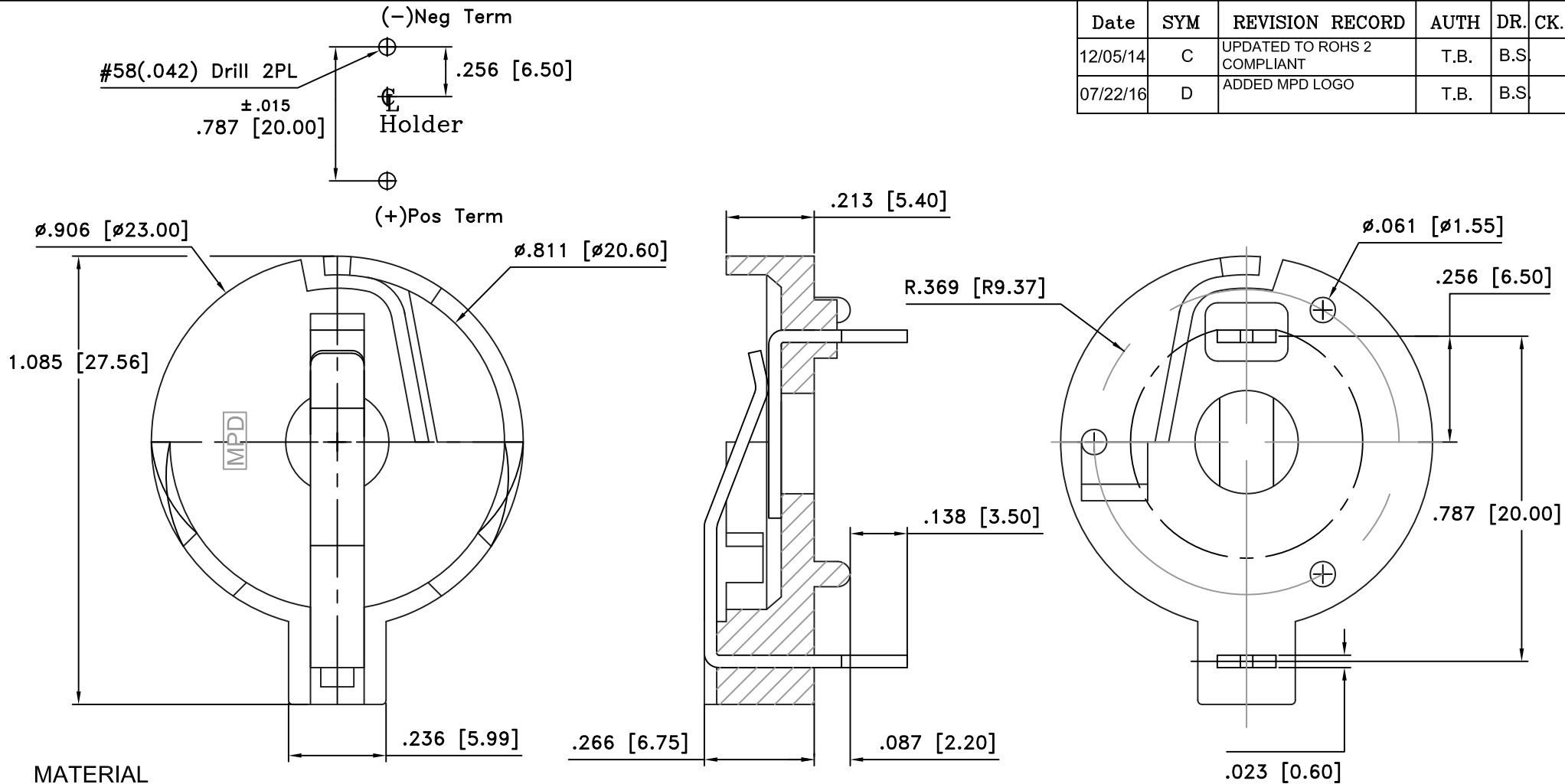



Date	SYM	REVISION RECORD	AUTH	DR.	CK.
12/05/14	C	UPDATED TO ROHS 2 COMPLIANT	T.B.	B.S.	
07/22/16	D	ADDED MPD LOGO	T.B.	B.S.	



MATERIAL
 BODY: NYLON 66 WITH 30% GLASS FILLED, UL FILE NO. E196894)
 FLAMMABILITY RATING: UL94V-0
 CONTACT: PHOSPHOR BRONZE

FINISH
 CONTACT: NICKEL PLATED

SPECIFICATIONS
 APPLICATION FOR 3V LITHIUM BATTERY
 INSULATOR RESISTANCE: 5000 M Ω MIN.
 OPERATION TEMPERATURE: -40°C TO +200°C
 DURABILITY: 50 CYCLES MIN
 CONTACT RESISTANCE: 30 M Ω MAX
 ROHS 2 COMPLIANT

Tolerance (Except as noted)	 Memory protection Devices, Inc 200 Broad Hollow Road, Farmingdale, New York 11735		
decimal $\pm .5$ (.020)		Scale 4=1	Drawn By B.S. Approved By T.B.
Fractional $\pm .8$ (.030)	Title BR/CR 2032 COIN BATTERY HOLDER W/RETAINER ARM		
Angular $\pm 3^\circ$	Date 07/22/16	Drawing Number BS-3	