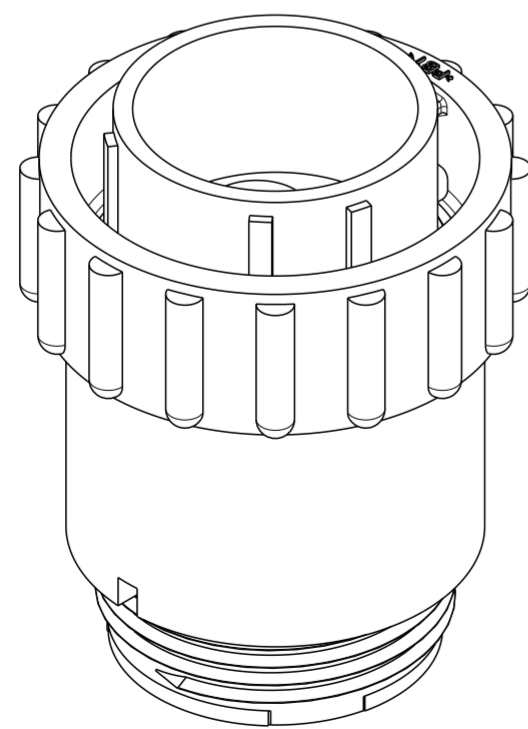
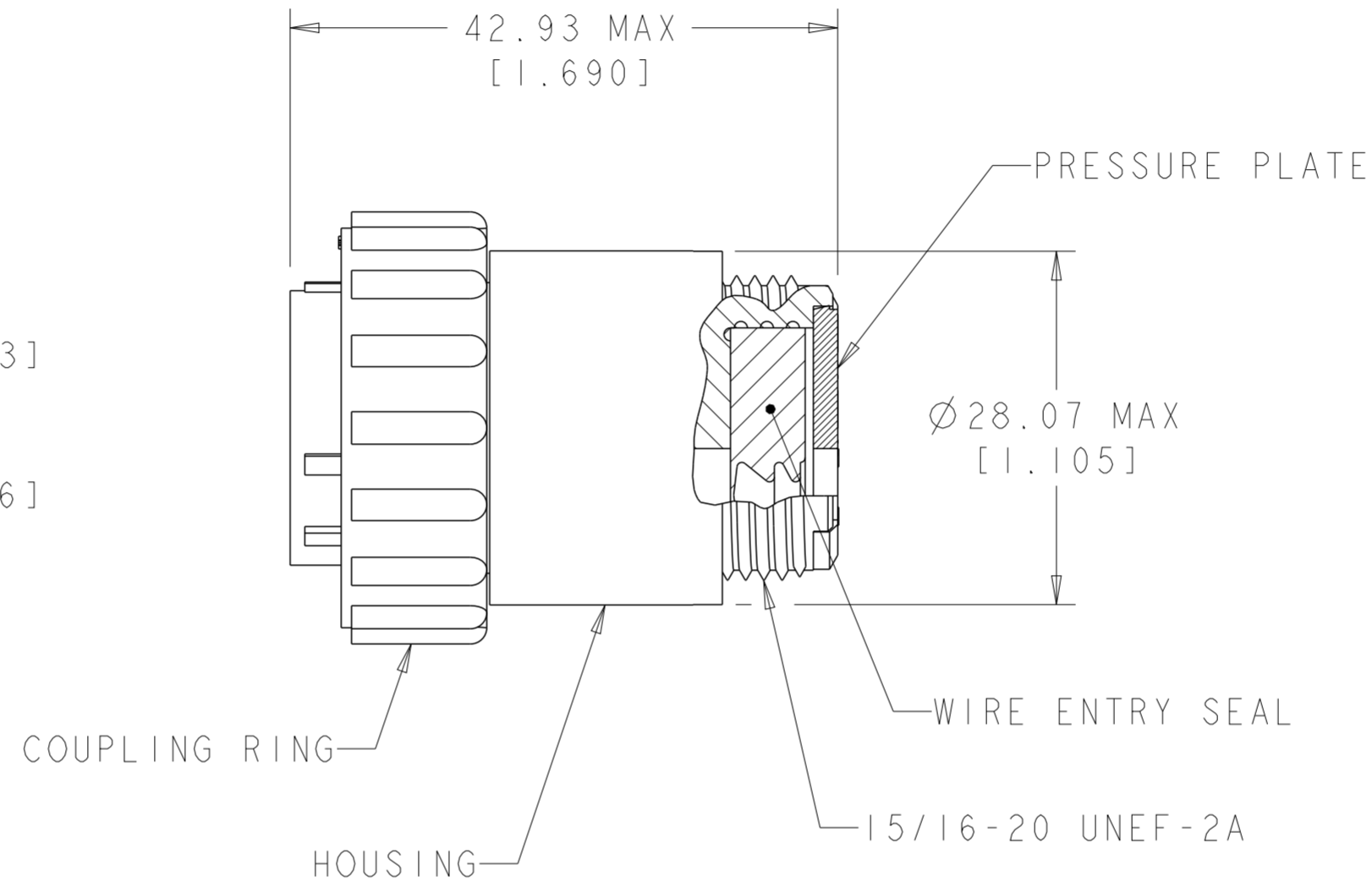
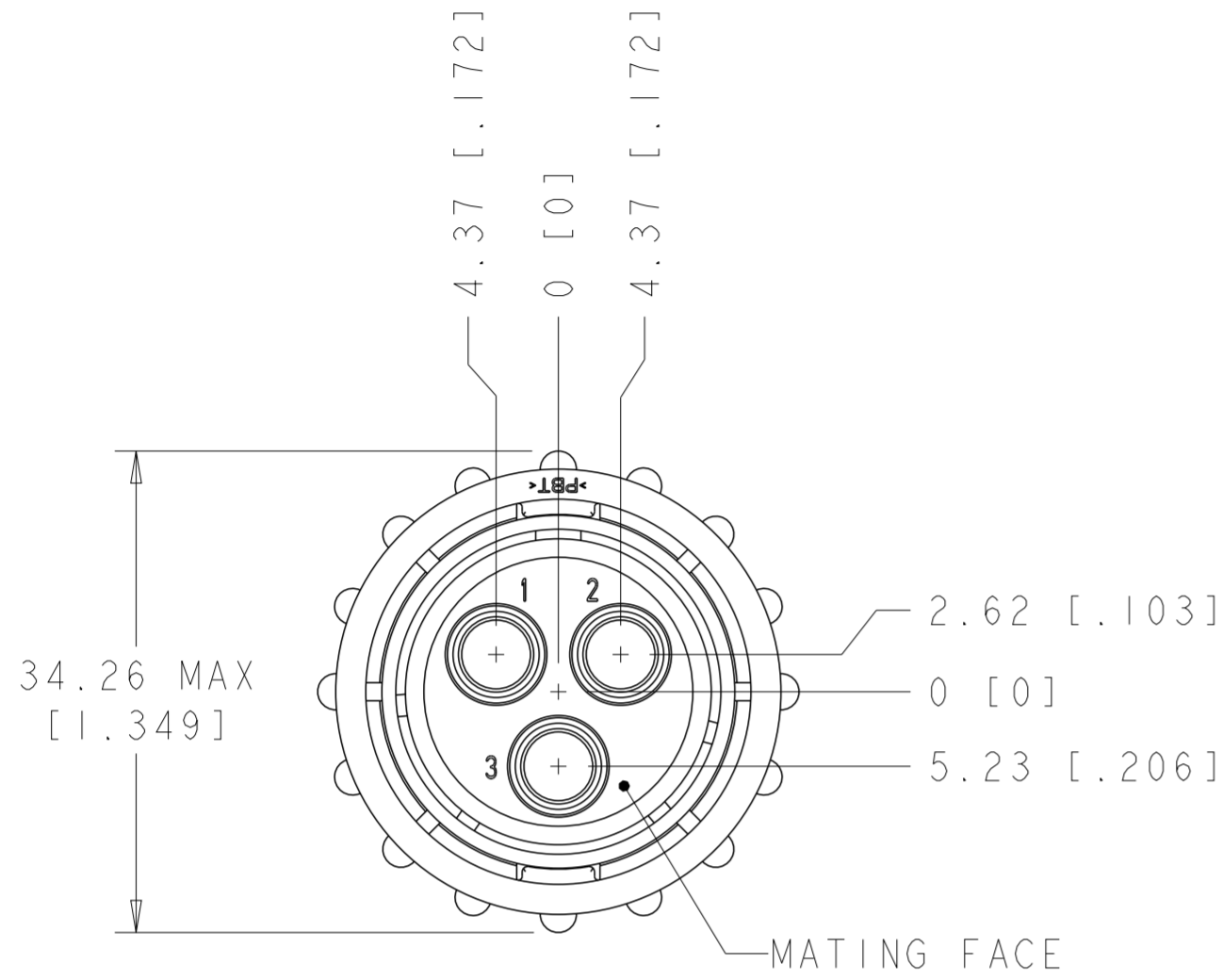


THIS DRAWING IS UNPUBLISHED. RELEASED FOR PUBLICATION
 © COPYRIGHT 20 BY - ALL RIGHTS RESERVED.

LOC	DIST	REVISIONS					
FT	0	P	LTR	DESCRIPTION	DATE	DWN	APVD
		A		REVISED PER ECO-12-018480	08NOV2012	KH	MZ



- ① HOUSING & PRESSURE PLATE: NYLON, BLACK.
WIRE ENTRY SEAL: ELASTOMER, RED-IRON OXIDE.
- ② COUPLING RING: POLYESTER, BLACK.
- 3. WILL ACCEPT (3) POWER MALE CONTACTS.

① ②	2.41-5.21 [.095-.205]	1977889-1
MATERIAL & FINISH	INSULATION RANGE	PART NUMBER

THIS DRAWING IS A CONTROLLED DOCUMENT.		DWN KIRAN HOLAJI 08NOV2012	STE TE Connectivity	
DIMENSIONS: mm [INCHES]		CHK M. ZITTO 08NOV2012	NAME CPC PLUG ASSEMBLY, SERIES 5, SEALED 17-3, REVERSE SEX UV RESISTANT	
TOLERANCES UNLESS OTHERWISE SPECIFIED:		APVD M. ZITTO 08NOV2012	PRODUCT SPEC 108-1579	
0 PLC ± 1 PLC ± 2 PLC ±0.02 3 PLC ± 4 PLC ±		APPLICATION SPEC -	SIZE A2	CAGE CODE 00779
MATERIAL ① -		WEIGHT -	DRAWING NO C-1977889	RESTRICTED TO -
		CUSTOMER DRAWING		SCALE 2:1 SHEET 1 OF 1 REV A

Mouser Electronics

Authorized Distributor

Click to View Pricing, Inventory, Delivery & Lifecycle Information:

[TE Connectivity:](#)

[1977889-1](#)