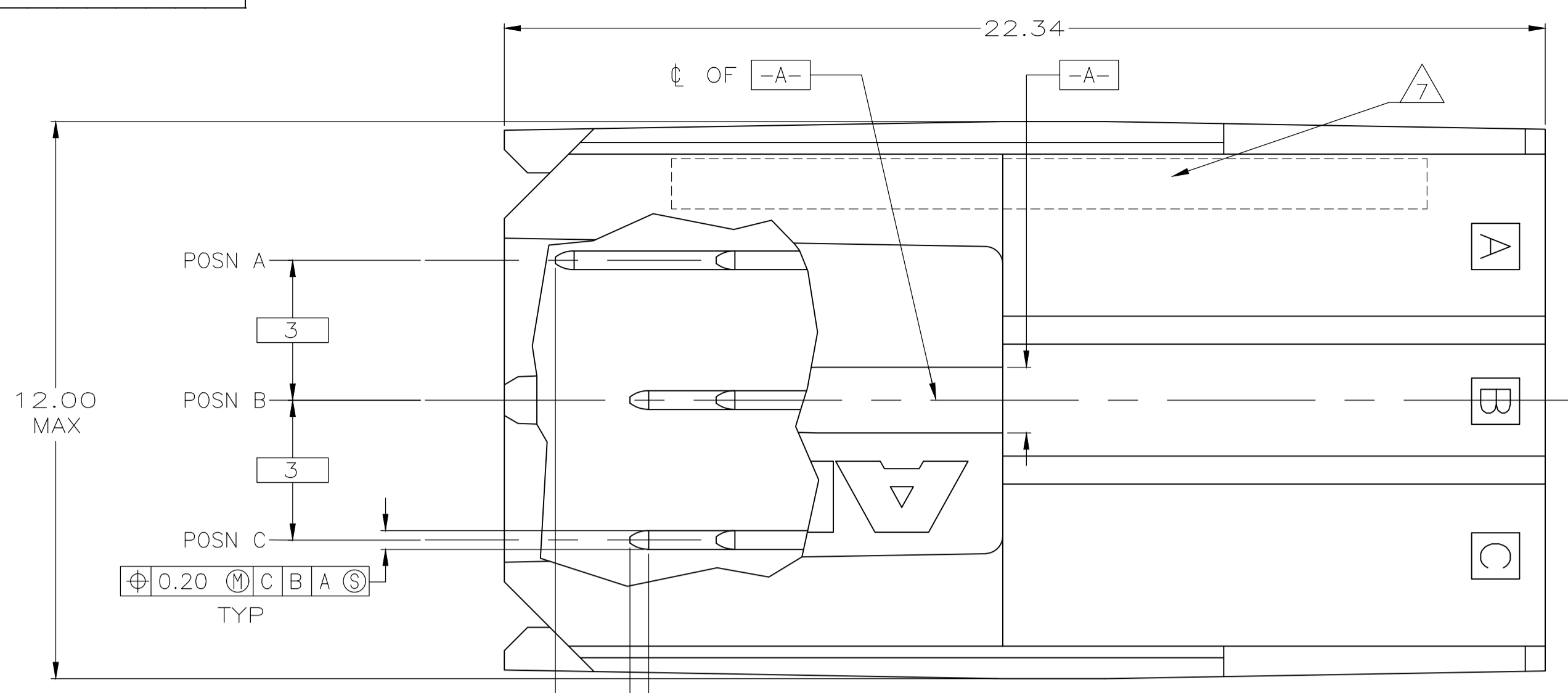
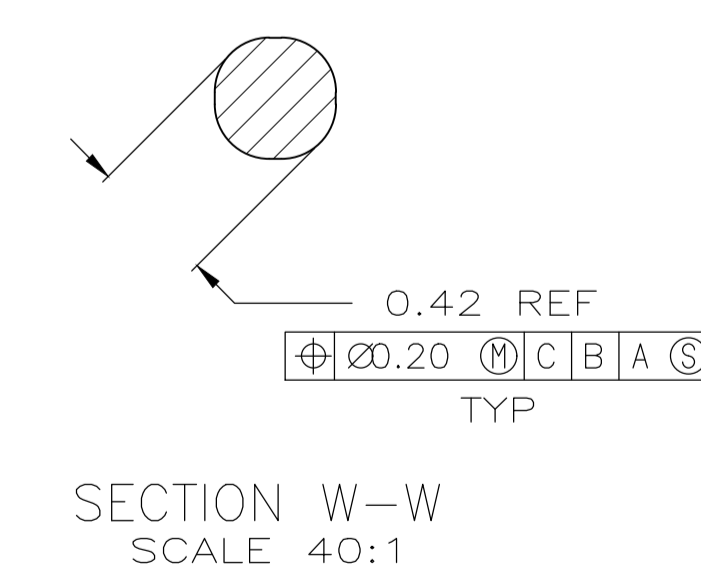
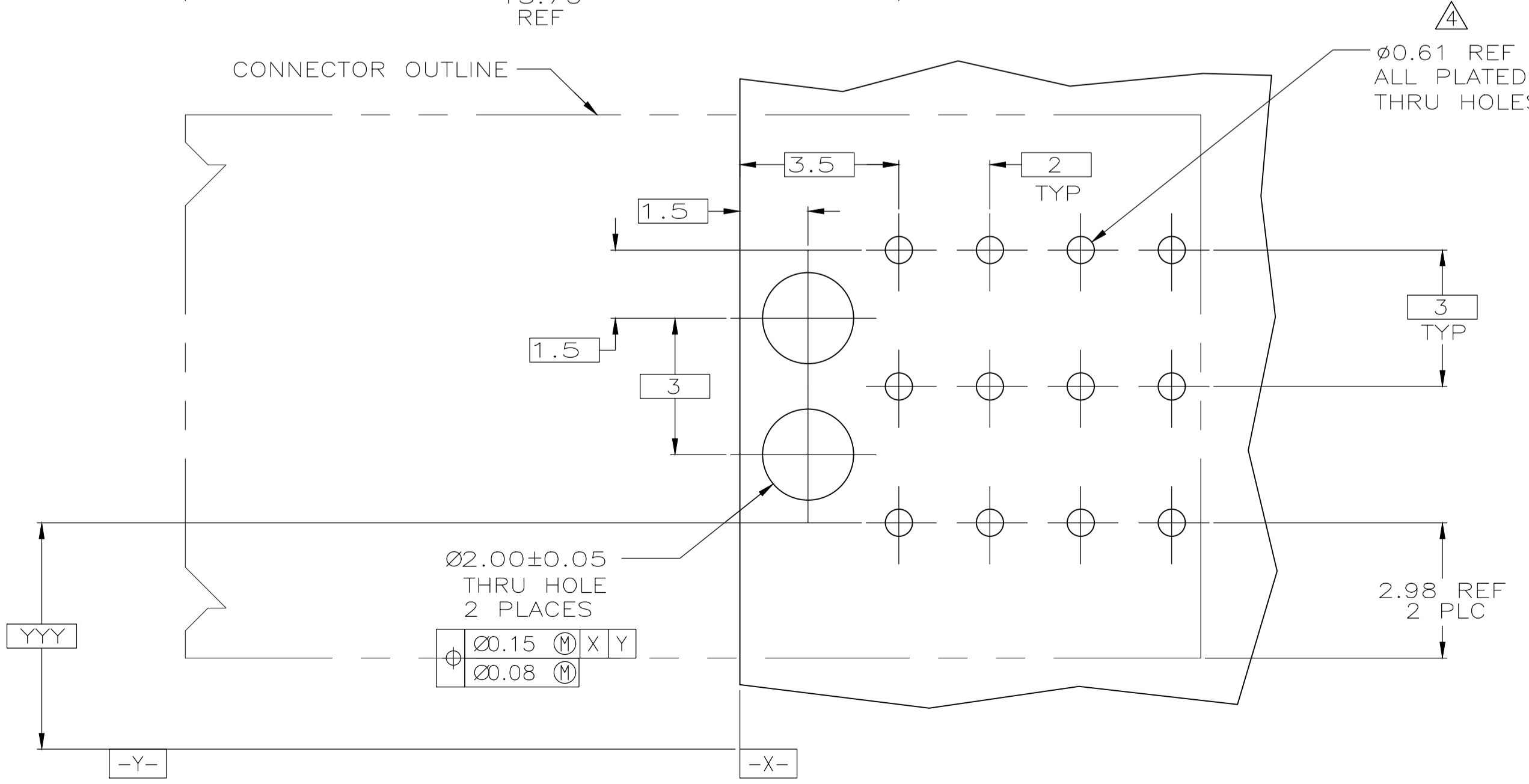
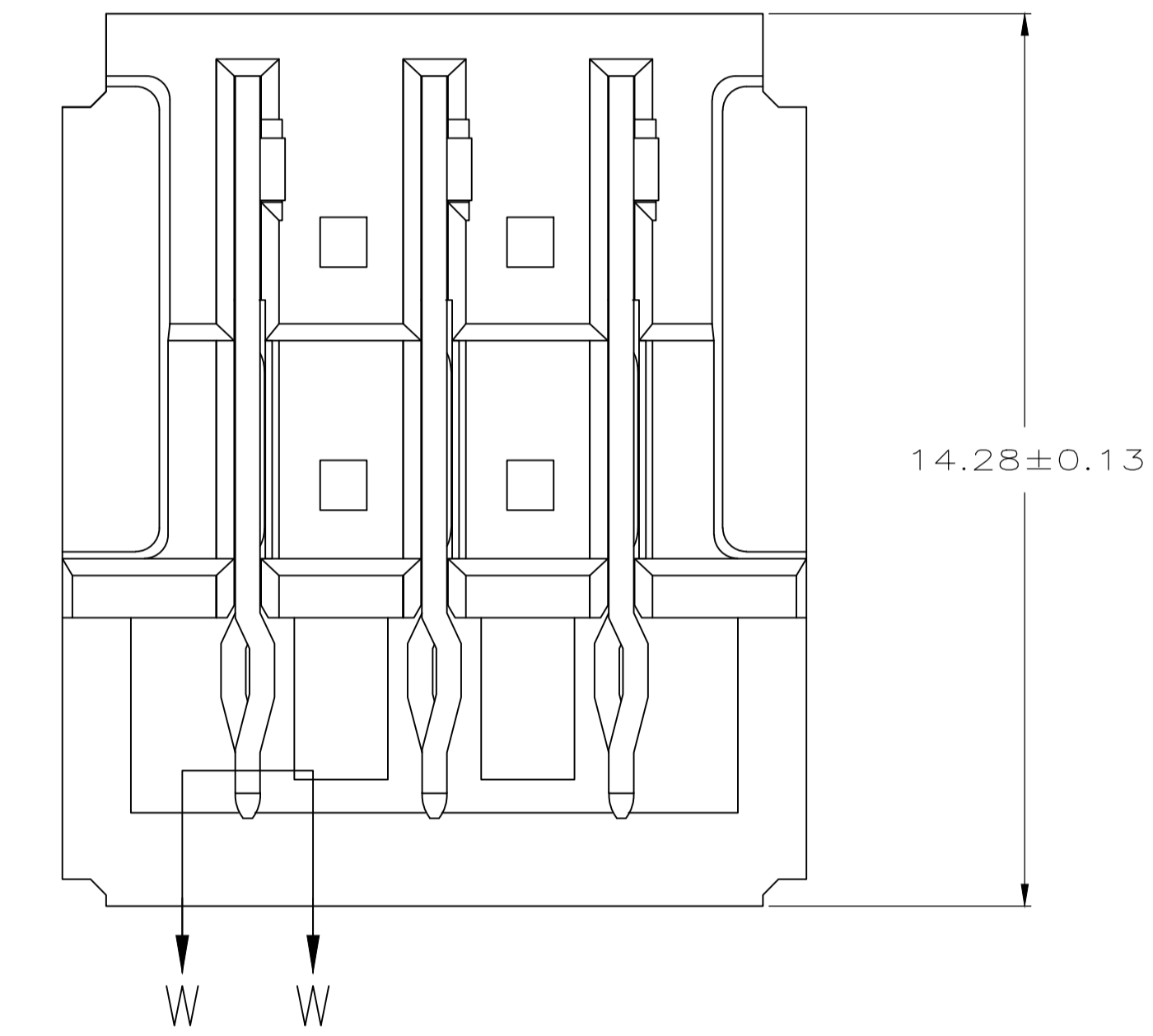
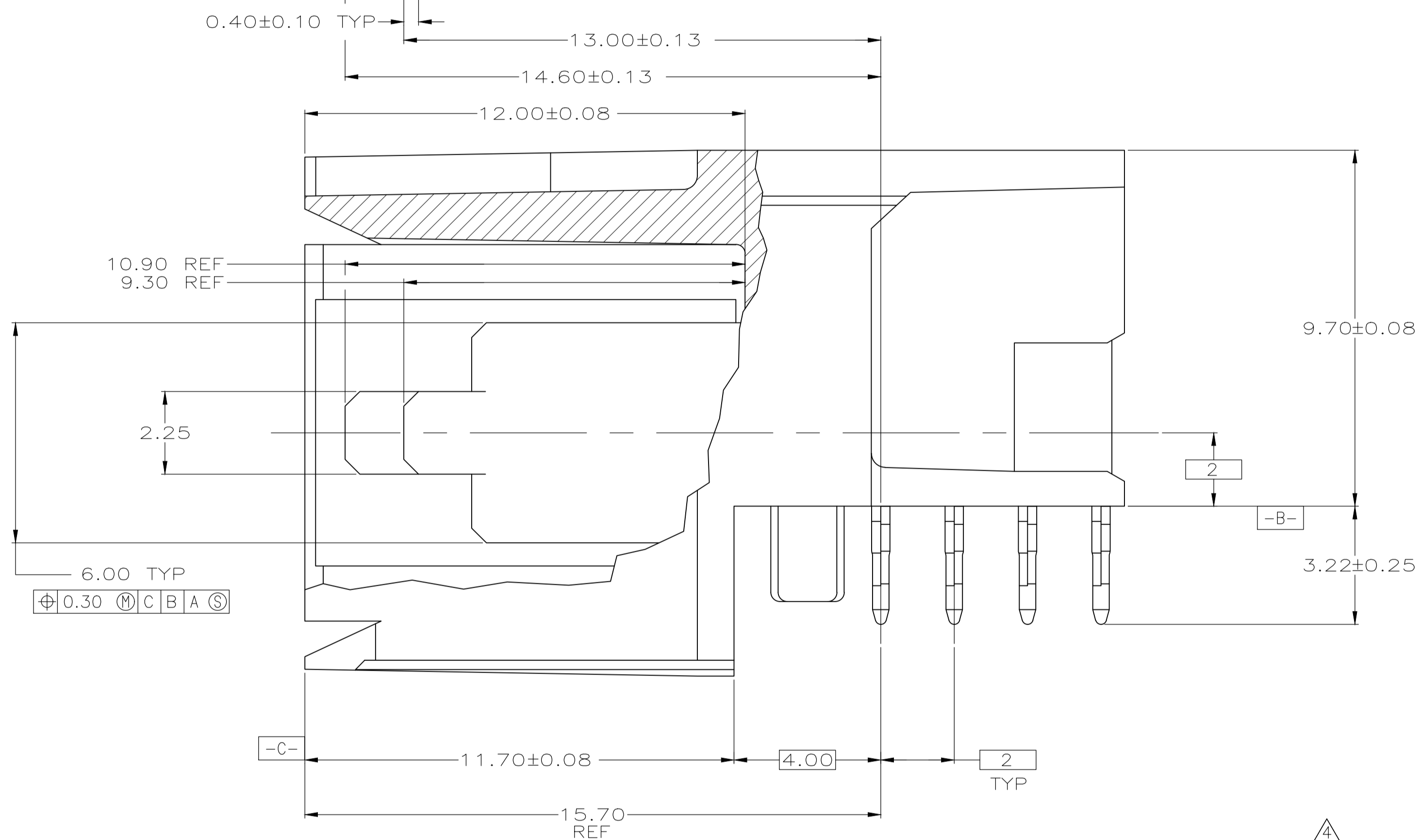
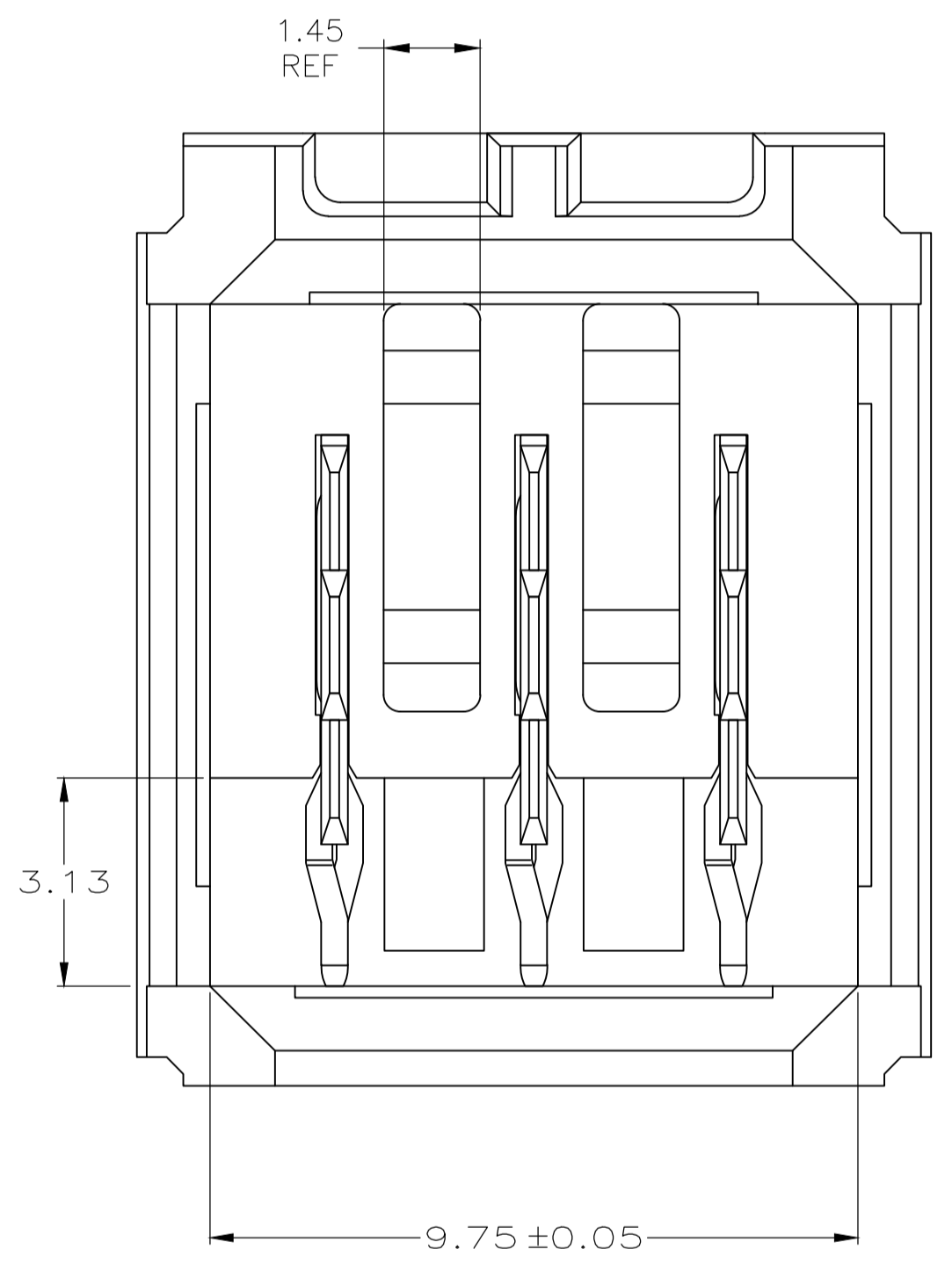


LOC		DIST		REVISIONS			
AD	00	REV	DATE	BY	CHKD	APVD	
C2	REVISED PER ECO-19-015453		30MAR2020	ML	SZ		



- 1 MATERIAL: HOUSING: POLYESTER. COLOR: GRAY. UL 94V-0. CONTACT: PHOSPHOR BRONZE.
- 2 FINISH: CONTACT MATING AREA: 1.27μm MIN GOLD OR 0.08μm MIN GOLD OVER 0.76μm MIN PALLADIUM-NICKEL. ACTION PIN AREA: 0.5μm MIN TIN PLATE, ALL OVER 1.27μm MIN NICKEL UNDERPLATE.
- 3 FINISH: CONTACT LUBRICATION WITH BELLCORE APPROVED LUBRICANT. TECHNICAL REFERENCE: TR-NWT-001217 ISSUE 1, SEPT 1992.
- 4 REFERENCE APPLICATION SPEC 114-1103 FOR RECOMMENDED PLATED THRU HOLE DIAMETER AND PLATING THICKNESS.
- 5 CURRENT RATING 10A/CONTACT FOR PHOS BRONZE CONTACT AND 16A/CONTACT FOR HIGH CURRENT COPPER ALLOY CONTACT PER PRODUCT SPEC 108-1651.
- 6 MATERIAL: HOUSING: POLYESTER, COLOR: GRAY, UL94V-0 CONTACT: HIGH CURRENT COPPER ALLOY.
- 7 TE PART NUMBER AND DATE CODE, IN THE REFERENCE PRINTING AREA



2 3 6	5-5223968-1
1 2 3	5223968-1
REMARKS	PART NUMBER

RECOMMENDED PCB HOLE LAYOUT

THIS DRAWING IS A CONTROLLED DOCUMENT.

DIMENSIONS:	TOLERANCES UNLESS OTHERWISE SPECIFIED:	DIN	B. CARBO	130EC04
mm		CHK	R. PATTERSON	130EC04
		APVD	R. PATTERSON	130EC04
		NAME	ASSEMBLY, RIGHT ANGLE HEADER, W/ RETENTION PEGS, UNIVERSAL POWER MODULE	
		PRODUCT SPEC	SIZE	CAGE CODE
		APPLICATION SPEC	A1	00779
		WEIGHT	C=5223968	
		CUSTOMER DRAWING	SCALE	10:1
			SHEET	1 of 1
			REV	C2