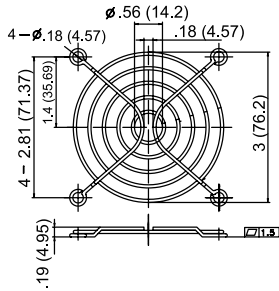
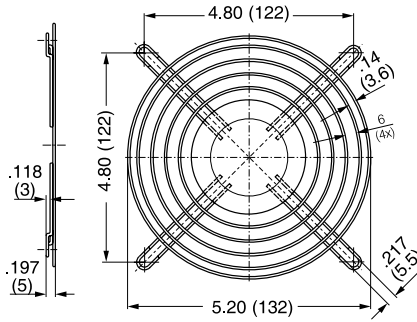


Accessories - Metal Finger Guards Tubeaxial Fan

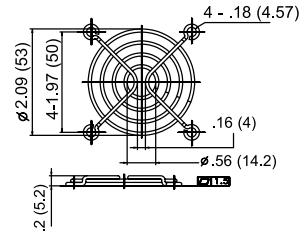
LZ22N Series 8000



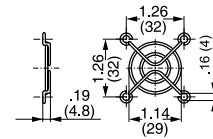
LZ25 Series 5100/5600



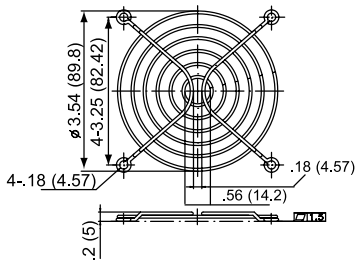
LZ28 Series 600



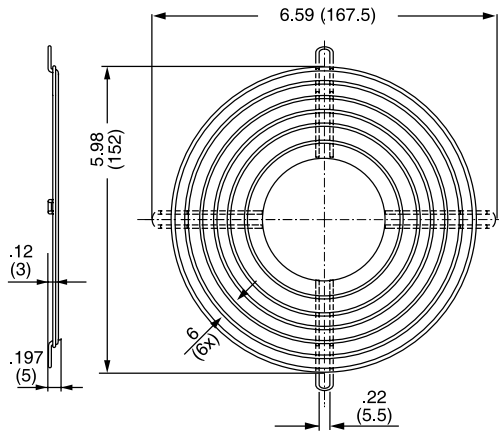
LZ29-1 Series 400



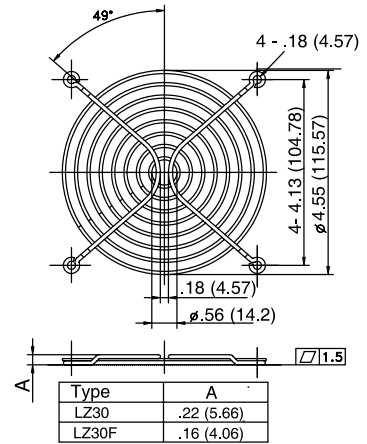
LZ23 Series 3000



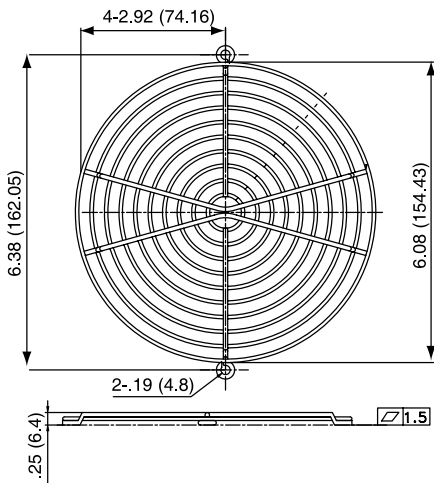
LZ26 Series 6000



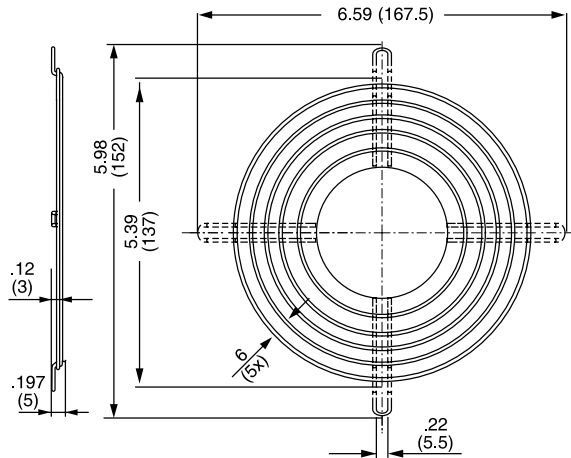
LZ30/LZ30F Series 4000/9000



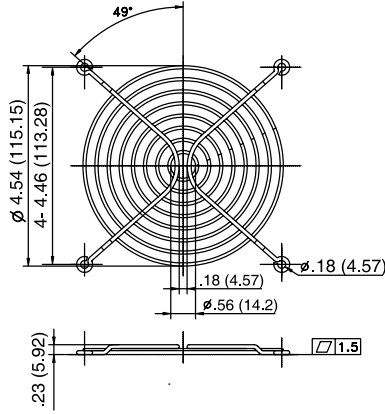
LZ24 Series 7000



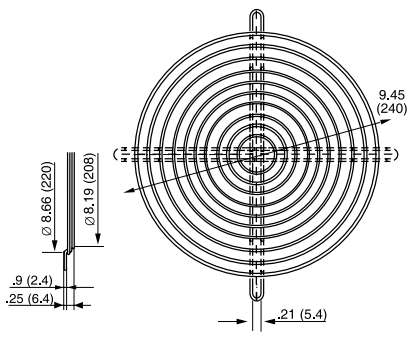
LZ27 Series 7000



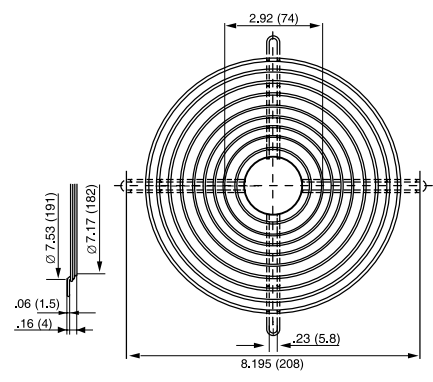
09496-2-4039-1 Series W2G115



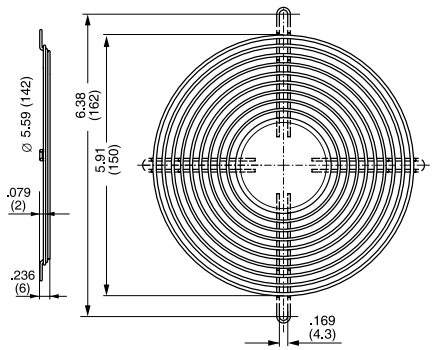
78128-2-4039 Series W1G200/W2E200



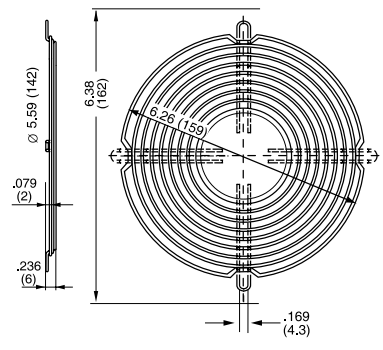
26388-2-4039 Series W1G180



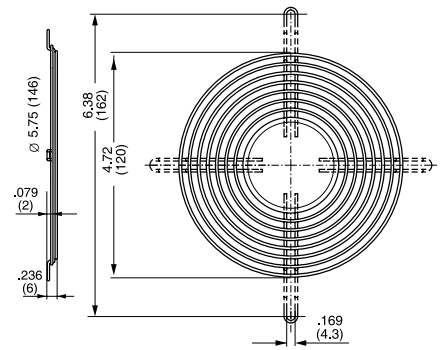
50950-2-4039 Series W2E142



50952-2-4039 Series W2E143



50951-2-4039 Series W2G115



Part Number Changes -

Old Part	New Part
9480-2-4039-1	LZ22N
9483-2-4039-1	LZ23
9497-2-4039-1	LZ30
9497-2-4039-2	LZ30F
9498-2-4039-1	LZ24
92163-2-2929	LZ32P
92165-2-2929	LZ30P

Mouser Electronics

Authorized Distributor

Click to View Pricing, Inventory, Delivery & Lifecycle Information:

[ebm-papst:](#)

[LZ22N](#) [50950-2-4039](#) [LZ23](#) [LZ27](#) [LZ28](#) [92163-2-2929](#) [LZ24](#)