



Introducing
IP67 Metal Shell ODVA-Compliant
Industrial Ethernet Connector

IP67 Metal Shell ODVA-Compliant Industrial Ethernet Connector

KEY FEATURES

- Compliant to IEC 61076-3-106 - Variant 1
- Positive lock coupling ring provides reliable connections in harsh environments
- For use with Cat 5e cable
- IP67 sealing performance
- Corrosion Resistant
- Protective cover available for the plug and receptacle
- Bulkhead receptacle mounts to either inside or outside the panel cutout
- Accepts Cable Outer Diameter : 4.5mm - 6.9mm

DESCRIPTIONS

Tyco Electronics now offers an even more rugged connector series that meets the Ethernet/IP RJ45 requirements/standards. Adding to TE's already existing line of ODVA-Compliant connectors, TE announces its IP67 Metal Shell ODVA-Compliant connector system. Designed for use in the harshest environments, the connector features a quick-connect bayonet coupling mechanism per the IEC 61076-3-106 Variant 1.

APPLICATIONS

Industrial machinery, Diagnostic Equipment, Communications Equipment, and industrial Printers

Outdoor signs, theatrical equipment, live events set up (music concerts or any event requiring the set up of a sound or video stage)

Any ethernet application where an IP67 sealed, rugged connector interface is required.

ELECTRICAL

Meets TIA/EIA-568 Category 5e requirements

MATERIALS

Housing, Coupling Ring, Cable Fitting : Chrome Plated Zinc Die Cast

Gasket, Seal : UL94 HB

UV Resistant Gasket Material

MECHANICAL

Positive Lock Coupling Ring

Polarized for proper mating

Temperature Range : -40°C to +85°C [-40F to 185F]

APPLICATION TOOLING

PN 3-231652-0 : Hand Tool w/ Die Set

PN 354711-8 : Single Plug Terminator

PN 1320840-1 : Dual Plug Terminator (120V Power Supply)

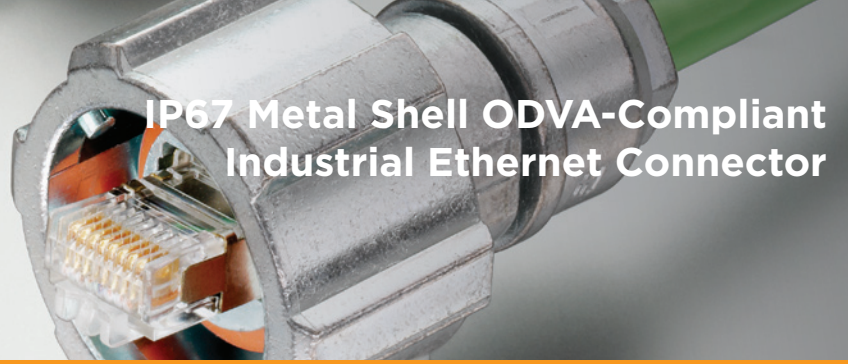
PN 1320840-2 : Dual Plug Terminator (230V Power Supply)

STANDARDS & SPECIFICATIONS

108-2198 : Product Specification

114-13136 : Application Specification

Compliant to IEC 61076-3-106 - Variant 1



IP67 Metal Shell ODVA-Compliant Industrial Ethernet Connector

PRODUCT OFFERING

PN 2008611-1 : Unshielded Plug Kit for stranded wire

PN 2008611-2 : Unshielded Plug Kit for solid wire

PN 2008614-1 : Shielded Plug Kit for stranded wire

PN 2008614-2 : Shielded Plug Kit for solid wire

PN 2008615-1 : Receptacle Kit - Unshielded 8 position

PN 2008615-2 : Receptacle Kit - Shielded 8 position

PN 2008618-1 : Protective Cap for Receptacle Kit

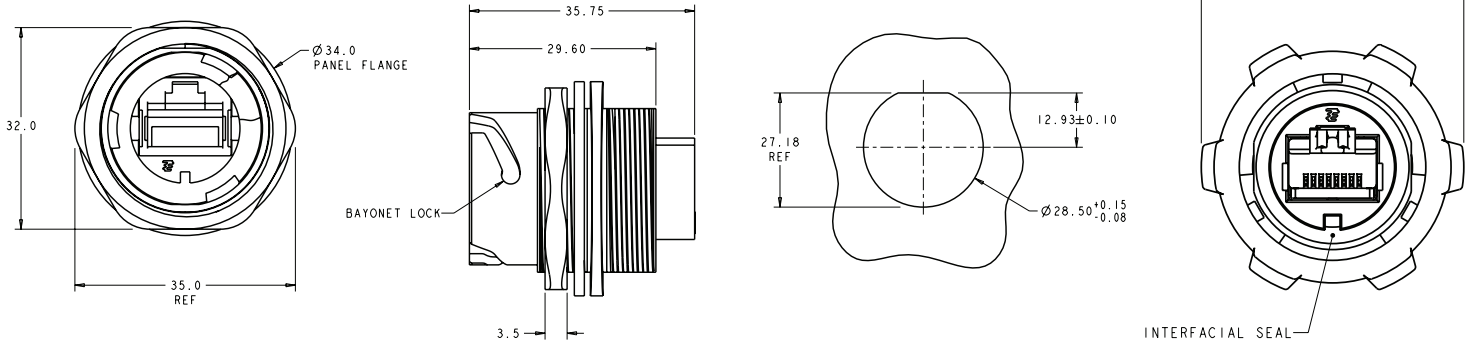
OPTIONAL ACCESSORIES

PN 1939708-1 : Cable

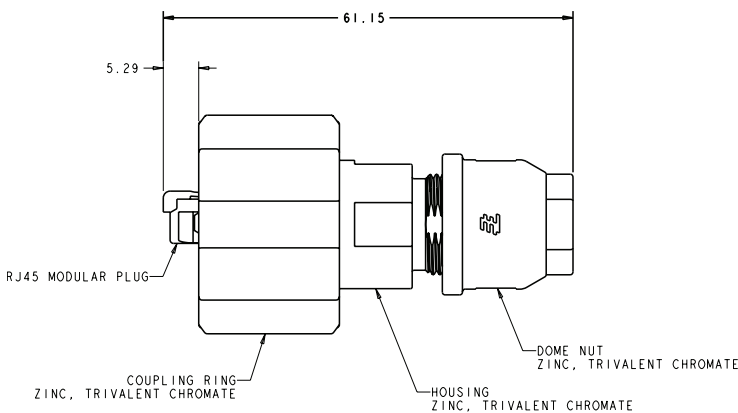
PN 1981944-1 : Cable Stripper



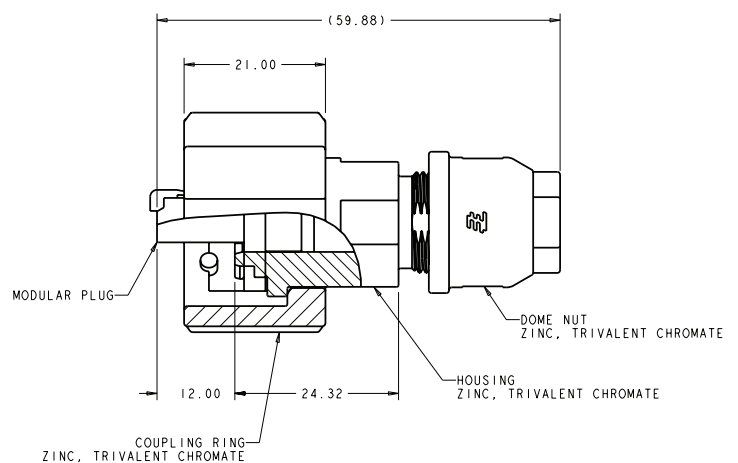
Receptacle Kit



Plug Kit Shielded



Plug Kit Unshielded



FOR MORE INFORMATION

www.tycoelectronics.com/Industrial

Technical Support

Internet:	www.tycoelectronics.com/help
USA:	+1 (800) 522-6752
Canada:	+1 (905) 470-4425
Mexico & Central America:	+ 52(0) 55-1106-0814
South America:	+55 (0) 11-2103-6000
Germany:	+49 (0) 6251-133-1999
UK:	+ 44 (0) 8706-080208
France:	+33 (0) 1-3420-8686
Netherlands:	+31 (0) 73-6246-999
China:	+86 (0) 400-820-6015

Tyco Electronics Corporation
Harrisburg, PA

tycoelectronics.com

©2009 Tyco Electronics Corporation
7-1773453-2 2.5M FP 1/2009

TE logo and Tyco Electronics are trademarks.

While Tyco Electronics has made every reasonable effort to ensure the accuracy of the information in this catalog, Tyco Electronics does not guarantee that it is error-free, nor does Tyco Electronics make any other representation, warranty or guarantee that the information is accurate, correct, reliable or current. Tyco Electronics reserves the right to make any adjustments to the information contained herein at any time without notice. Tyco Electronics expressly disclaims all implied warranties regarding the information contained herein, including, but not limited to, any implied warranties of merchantability or fitness for a particular purpose. The dimensions in this catalog are for reference purposes only and are subject to change without notice. Specifications are subject to change without notice. Consult Tyco Electronics for the latest dimensions and design specifications.

 **Tyco Electronics**
Our commitment. Your advantage.

Mouser Electronics

Authorized Distributor

Click to View Pricing, Inventory, Delivery & Lifecycle Information:

[TE Connectivity:](#)

[2008618-1](#)