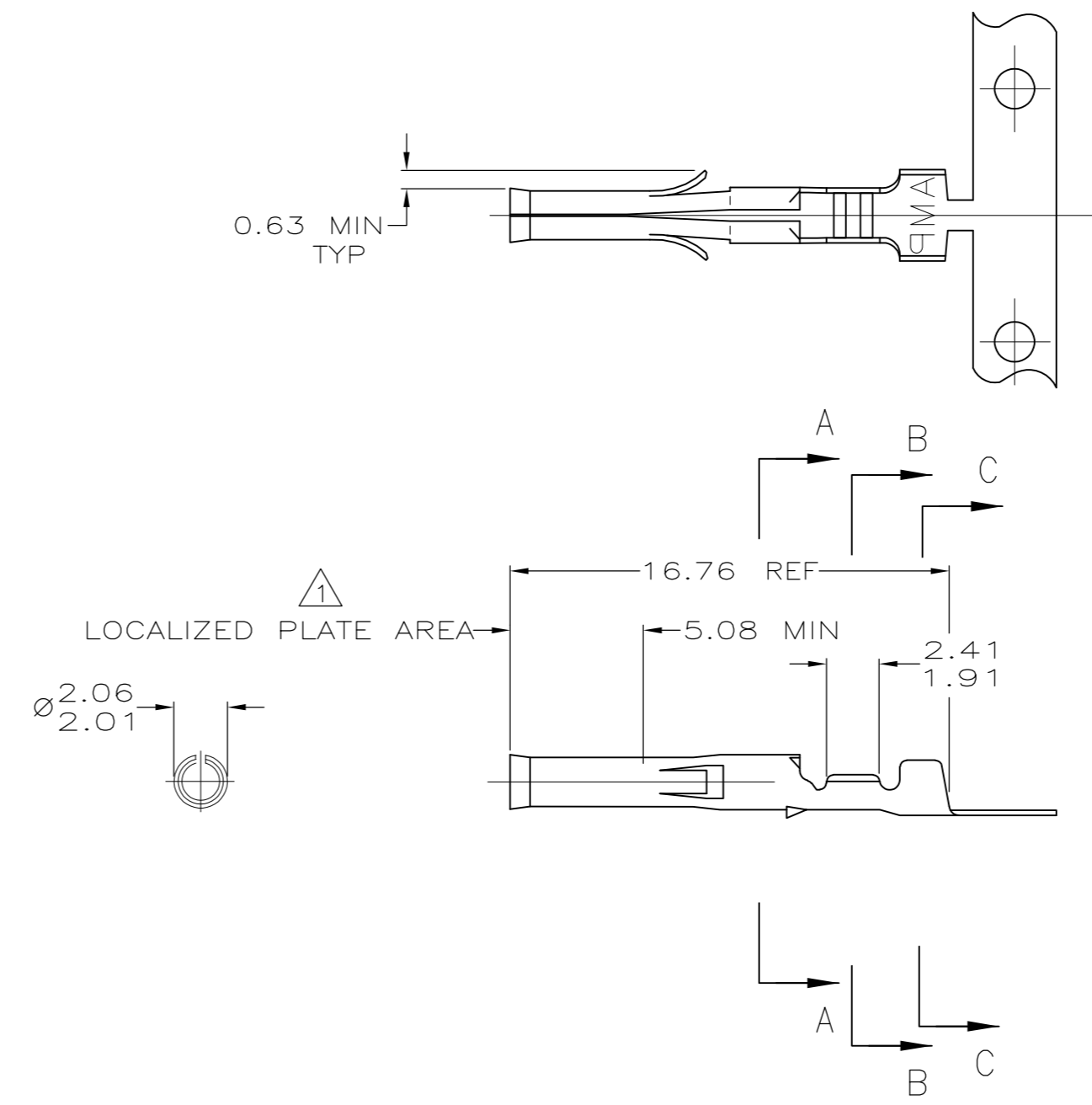
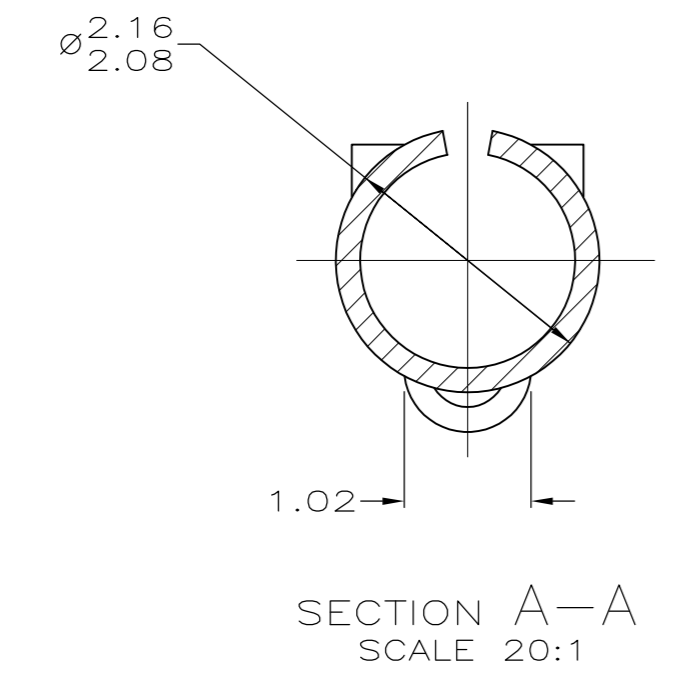
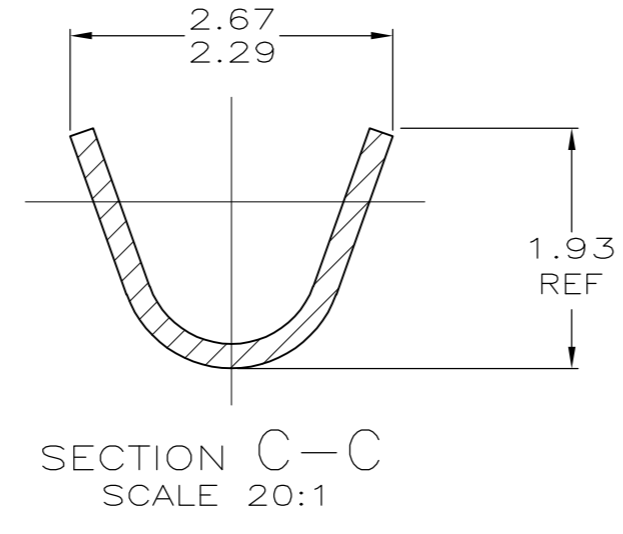
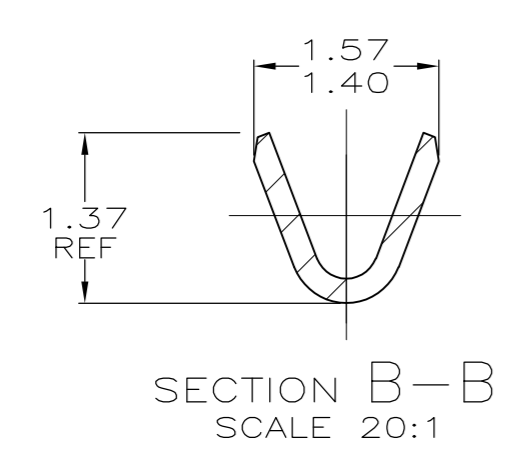


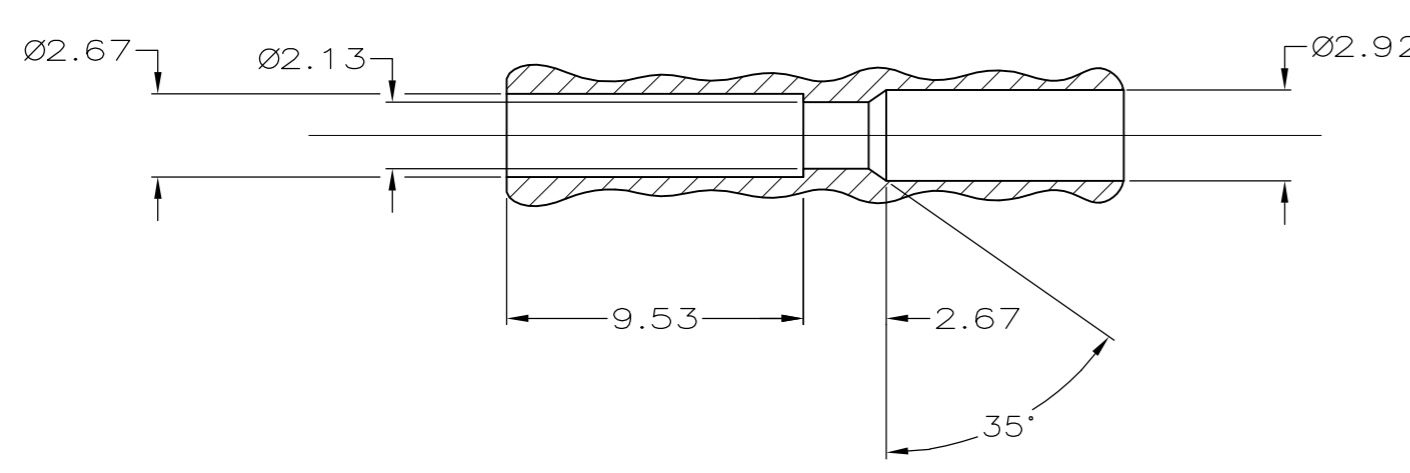
LOC		DIST		REVISIONS			
P	LT	REVISED PER	ECO	DATE	BY	CHK	APVD
CM	53	R1	11	MAR11	RK	HMR	



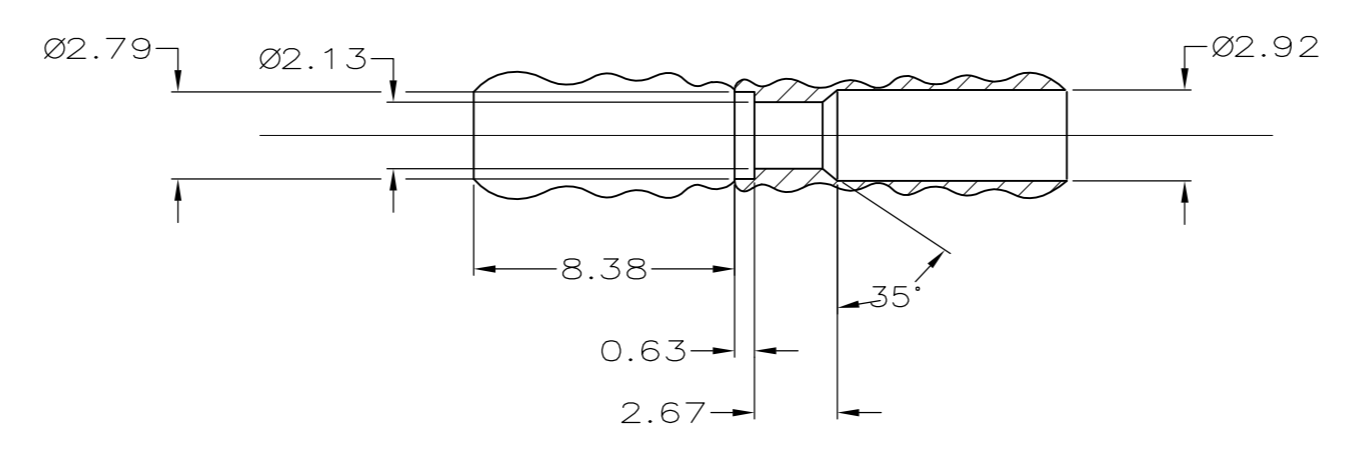
- 1. 0.0013 MIN NICKEL OVER ENTIRE RECEPTACLE WITH 0.0008 MIN GOLD INSIDE RECEPTACLE IN LOCALIZED PLATE AREA.
- 2. EITHER CAVITY WILL ACCEPT RECEPTACLE 350628,640392 OR PIN 350629,640391.

IN	MM
.660	16.76
.375	9.53
.330	8.38
.200	5.08
.115	2.92
.110	2.79
.105	2.67
.095	2.41
.090	2.29
.085	2.16
.084	2.13
.082	2.08
.081	2.06
.079	2.01
.076	1.93
.075	1.91
.062	1.57
.060	1.52
.055	1.40
.054	1.37
.040	1.02
.025	0.63
.008	0.20
.005	0.13
.000050	0.0013
.000030	0.0008
IN	MM

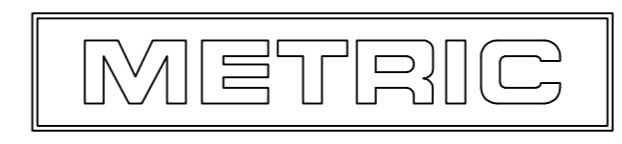
CONVERSION TABLE



TYPICAL RECEPTACLE CAVITY SECTION REFERENCE



TYPICAL PLUG CAVITY SECTION REFERENCE



△	0.20 BRASS	1.52 MAX	30-24	640392-5
PRE-TIN	0.20 PH.BRZ.	1.52 MAX	30-24	640392-2
PRE-TIN	0.20 BRASS	1.52 MAX	30-24	640392-1
FINISH	MATERIAL	INSULATION DIAMETER	WIRE RANGE	PART NO
THIS DRAWING IS A CONTROLLED DOCUMENT.		DNV K. SALMON 9-30-91	STE TE Connectivity	
DIMENSIONS: mm(INCHES)		CHK R. SWING 9-30-91	NAME	
TOLERANCES UNLESS OTHERWISE SPECIFIED:		APVD C. CASH 10-1-91	PRODUCT SPEC	
0 PLC	±	APPLICATION SPEC		
1 PLC	±	SIZE CAGE CODE DRAWING NO		
2 PLC	±	A1 00779 C-640392		
3 PLC	± 0.13	RESTRICTED TO		
4 PLC	±	CUSTOMER DRAWING		
ANGLES:	± ° 30'	SCALE 5:1 SHEET 1 OF 1 REV R1		

A/C BUSINESS GROUP 3323 177-34 RALPH VESTAL

# Mouser Electronics

Authorized Distributor

Click to View Pricing, Inventory, Delivery & Lifecycle Information:

[TE Connectivity:](#)

[640392-5](#)