

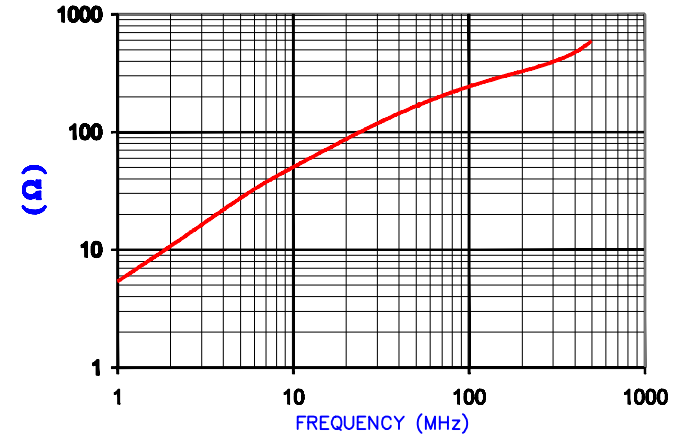
**CORE DIMENSIONS:**

A	16.25 [.640]	+	0.25 [.010]
B	9.02 [.355]	+	0.20 [.008]
		-	0.13 [.005]
C	27.94 [1.100]	+	0.38 [.015]
D	8.12 [.320]	+	0.13 [.005]

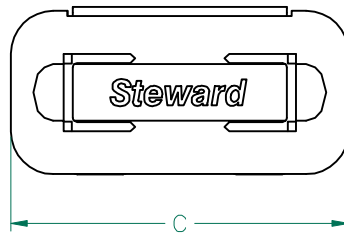
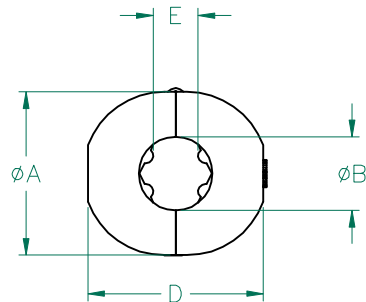
**UNCONTROLLED DOCUMENT**

IMPEDANCE ( Z )			
Frequency	25 MHz	100 MHz	300 MHz
Nominal (REF)	105 Ω	240 Ω	390 Ω
Minimum	- Ω	192 Ω	- Ω

Z vs. FREQUENCY  
(REF. ONLY)



AGILENT E4991A Impedance/Material Analyzer  
HP 16092A-Test Fixture REF 3158



**CASE DIMENSIONS:**

A	20.07 [.790]	+	REF.
B	9.07 [.357]	+	REF.
C	41.55 [1.636]	+	REF.
D	21.57 [.849]	+	REF.
E	5.74 [.226]	+	REF.

**NOTES:**

1. ASSEMBLED PART #: 28A0640-OA0
2. CASE COLOR: WHITE-OA0.

DIMENSIONS ARE IN mm [INCHES].				This print is the property of Laird Tech. and is loaned in confidence subject to return upon request and with the understanding that no copies shall be made without the written consent of Laird Tech. All rights to design or invention are reserved.		
O	UPDATED LOGO	03/13/13	QIU	PROJECT/PART NUMBER: <b>28A0640-OA0</b>		
N	UPDATE COMPANY LOGO	12/28/12	QIU			
M	UPDATE CASE DIMENSIONS TO MATCH CASE PRINT	08/23/07	TMB	REV	PART TYPE:	DRAWN BY:
L	UPDATE 100 MHz MINIMUM VALUE	06/11/07	TMB	O	FERRITE SNAP-ON	BAC
K	UPDATE COMPANY LOGO	04/17/07	TMB	DATE:	SCALE:	MATERIAL:
J	UPDATE Z SPEC 100MHz MIN VALUE	12/11/06	TMB	07/12/96	NTS	NiZn Ferrite
REV	DESCRIPTION	DATE	INT	CAD #	TOOL #	
				28A0640-OA0-O	-	

# Mouser Electronics

Authorized Distributor

Click to View Pricing, Inventory, Delivery & Lifecycle Information:

Laird:

[28A0640-0A0](#)