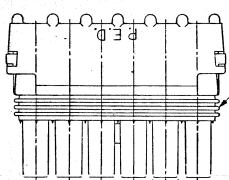
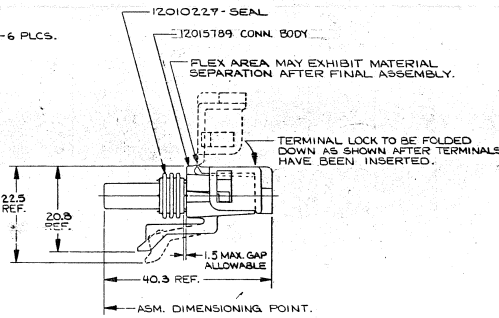
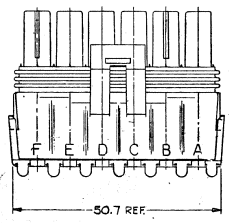
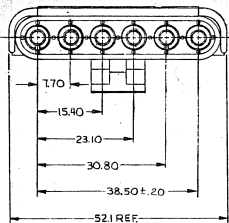
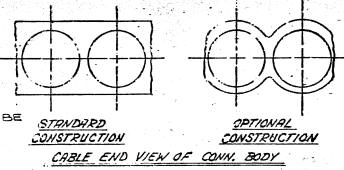


PACKARD ELECTRIC DIVISION
GENCO MOTOR CORPORATION
WARREN, OHIO

30 MET SCALE
This drawing is a metric drawing. All dimensions are in millimeters unless otherwise specified. For information on appropriate units, refer to the manufacturer's literature.



SEALING RIBS MUST BE FREE OF DEFECTS



- NOTES
1. USE FEMALE TERMINAL 2034051 OR EQUIVALENT FOR "IN-LINE" APPLICATIONS. USE MALE TERMINAL 12033614 OR EQUIVALENT FOR "PANEL MOUNT" APPLICATIONS.
 2. USE CABLE SEAL 12015323 OR EQUIVALENT.
 3. MATING CONNECTOR - DELCO ELECTRONIC PART #16008965 OR EQUIVALENT.
 4. WHEN PARTS ARE SHIPPED, THEY MUST BE PACKED IN PLASTIC BAGS OR SHIPPING CONTAINERS MUST BE LINED WITH PLASTIC LINERS. BAGS OR LINERS MUST BE SEALED TO AVOID ENTRY OF FOREIGN MATTER.
 5. SEALING CODE B.

DATE	STA	REVISION RECORD	AUTH	DR	CK
05MY60	A	RELEASED	80005	21	21
09FE81	-	ADDED STANDARD & OPTIONAL CONST. VIEWS	75211	DB/JK	
21JA82	-	38.50 ± .20 DIM WAS 38.50 ± .15	70536	DB/JS	
19JL83	-	1.5 MAX. WAS 1.0 MAX.	85923	RW/ZW	
11SE87	-	REVISED NOTE #1 & ADDED NOTE #5	115823	79/87	
21OC87	-	REVISED TERMINAL NOTE	116529	79/70	

PART NO.
1201 5199

METRIC
DIMENSIONS ARE IN MILLIMETRES
UNLESS OTHERWISE SPECIFIED

P. N. C. CODE			
CODE NO.	6900	TOLERANCE UNLESS OTHERWISE SPECIFIED	PANEL MOUNTING DIMENSIONS ARE IN MILLIMETERS
OC - C - 5110			
QNT.		SCALE	DR
DATE	05MY80	NONE	Charles C. Roberts
REV. NO.			01/20/80
REFERENCE NO.			01/20/80
MATERIAL SPEC.	SEE DWS.		
NAME	ASM CONN. GM/E W/P TWJ		
PART NO.	1201 5199		SEE
			C

7A
6-V
8A
99

01/11/80

PACKARD ELECTRIC

Mouser Electronics

Authorized Distributor

Click to View Pricing, Inventory, Delivery & Lifecycle Information:

[Aptiv:](#)

[12015799](#) [12015799-B](#)