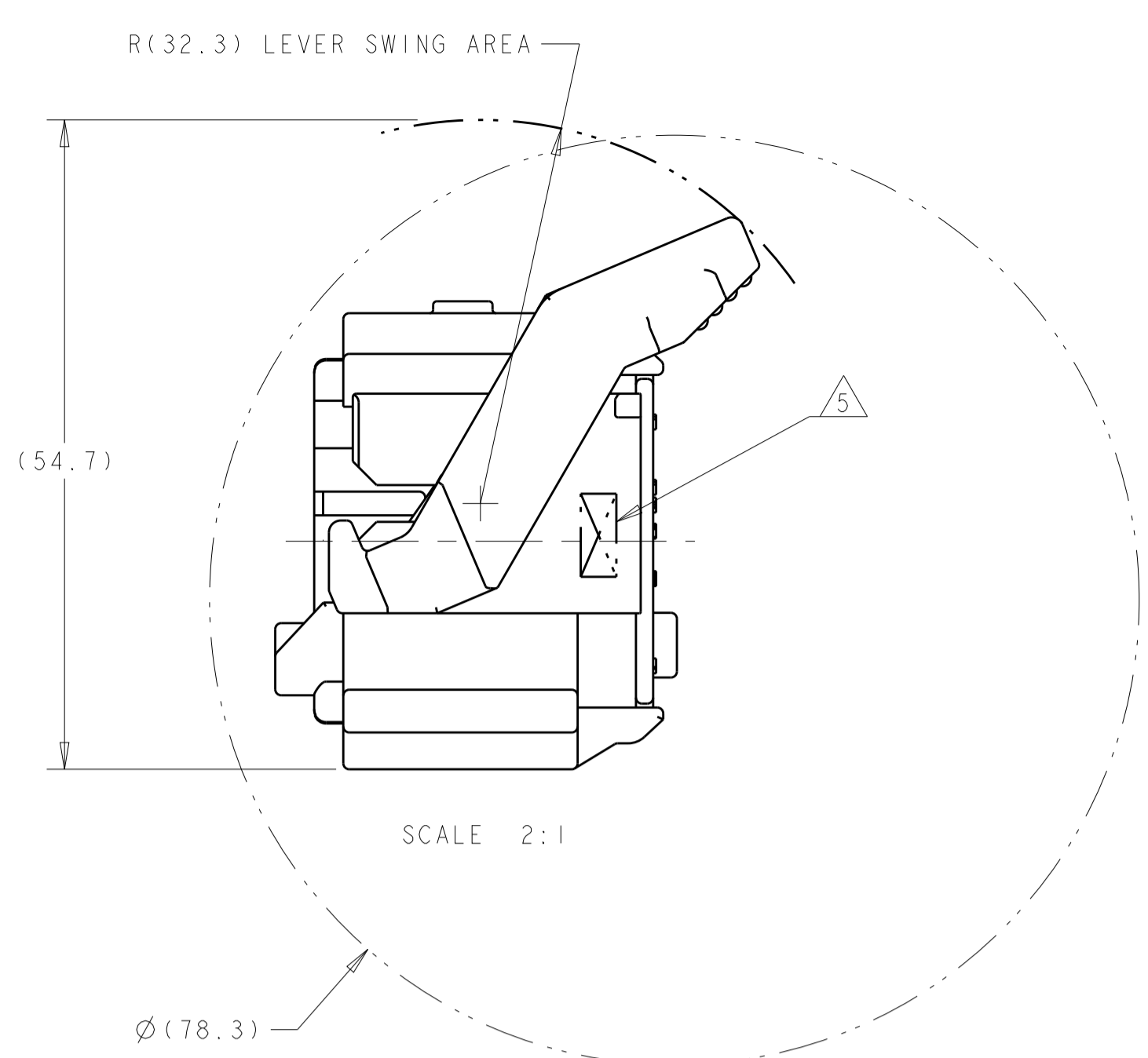
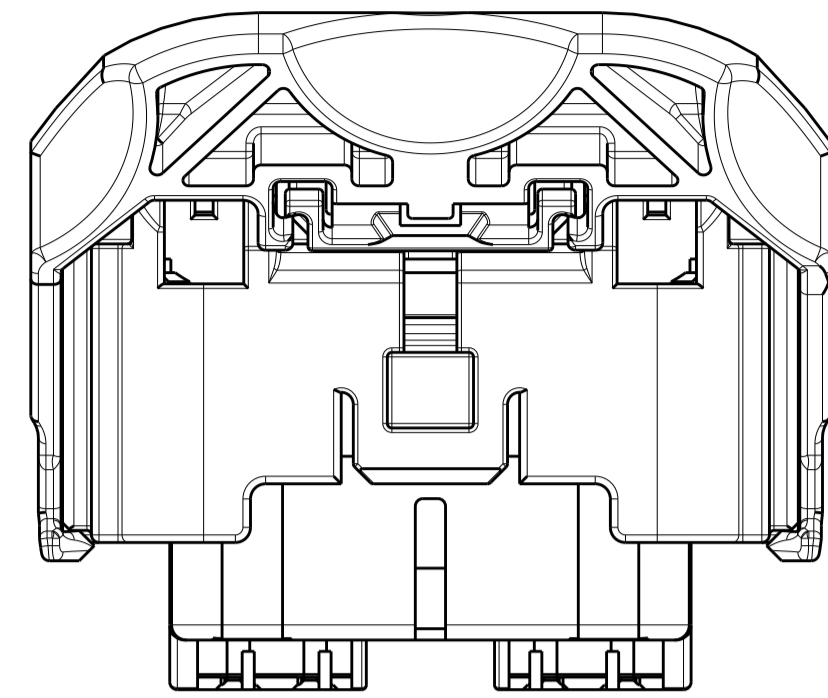
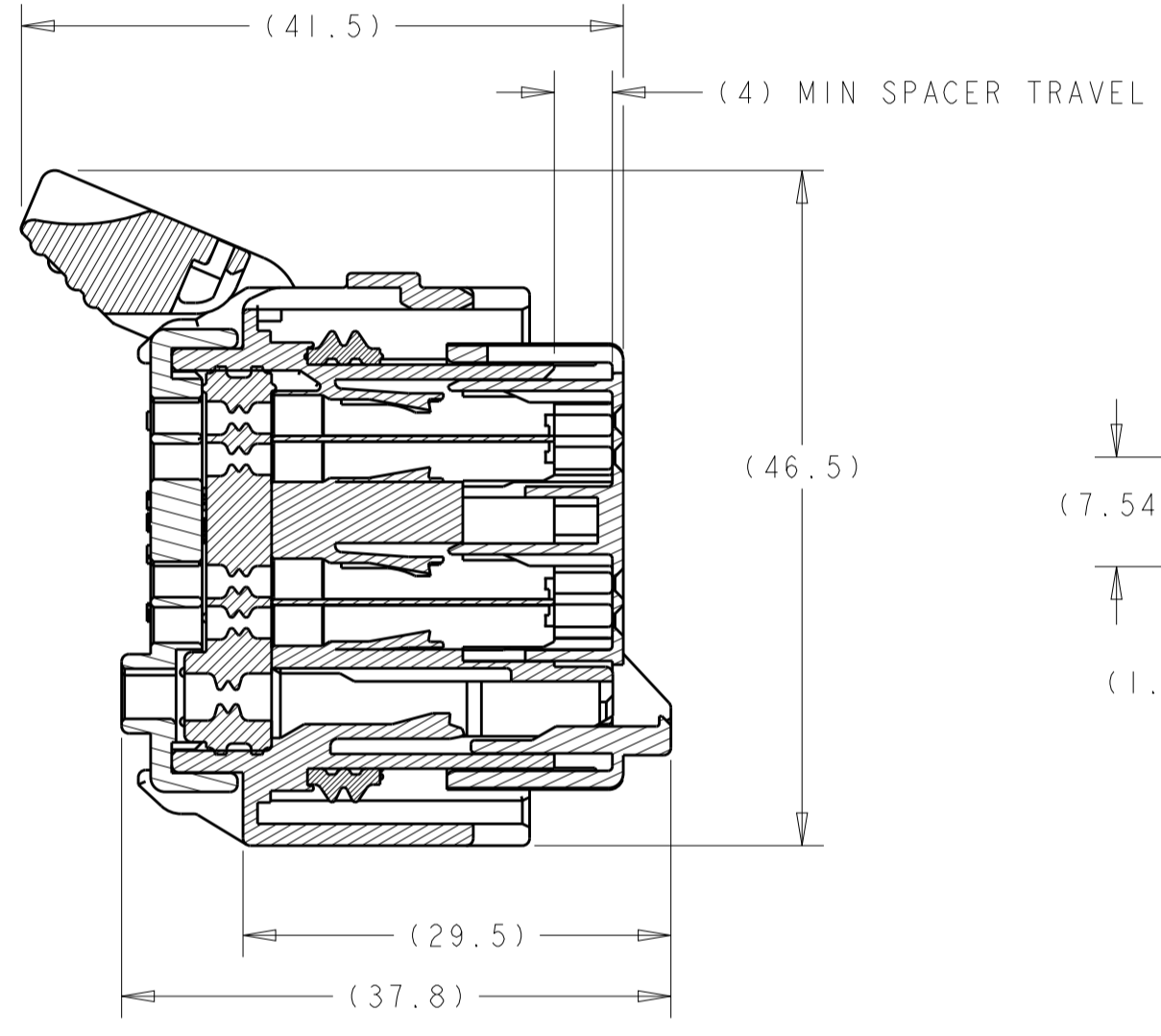


1438129-1
SHOWN WITH SPACER
IN SEATED POSITION

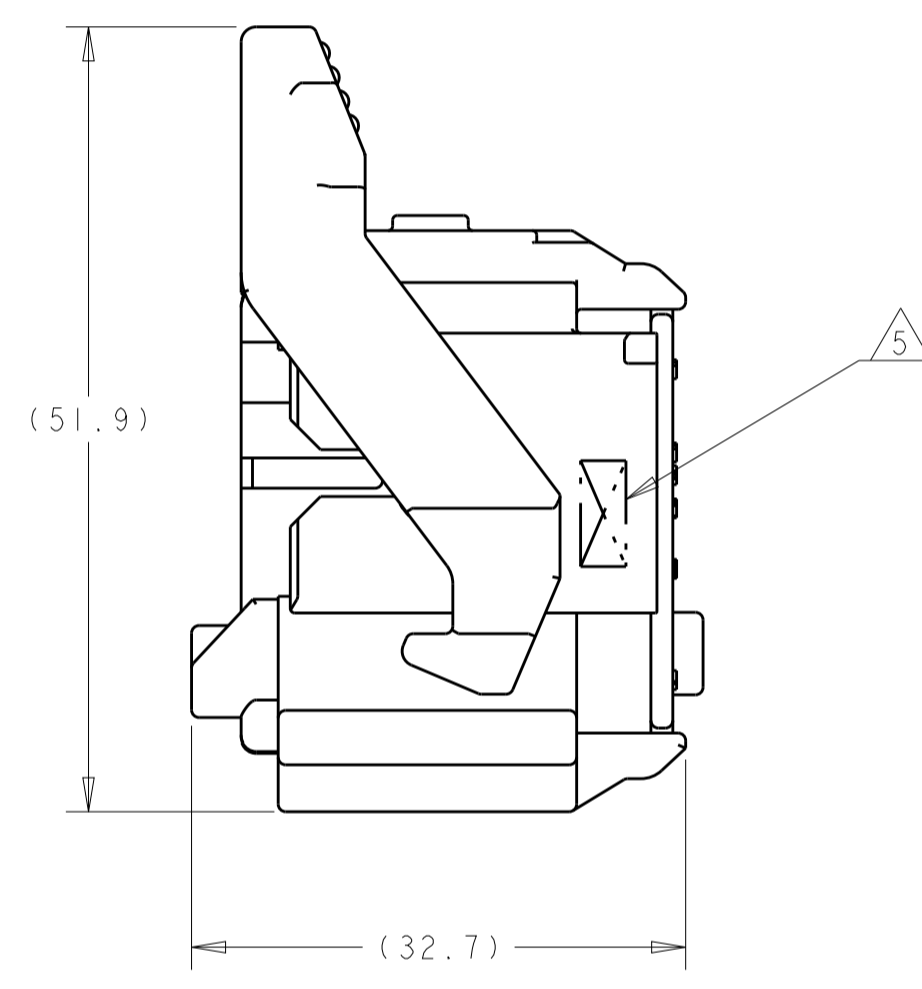
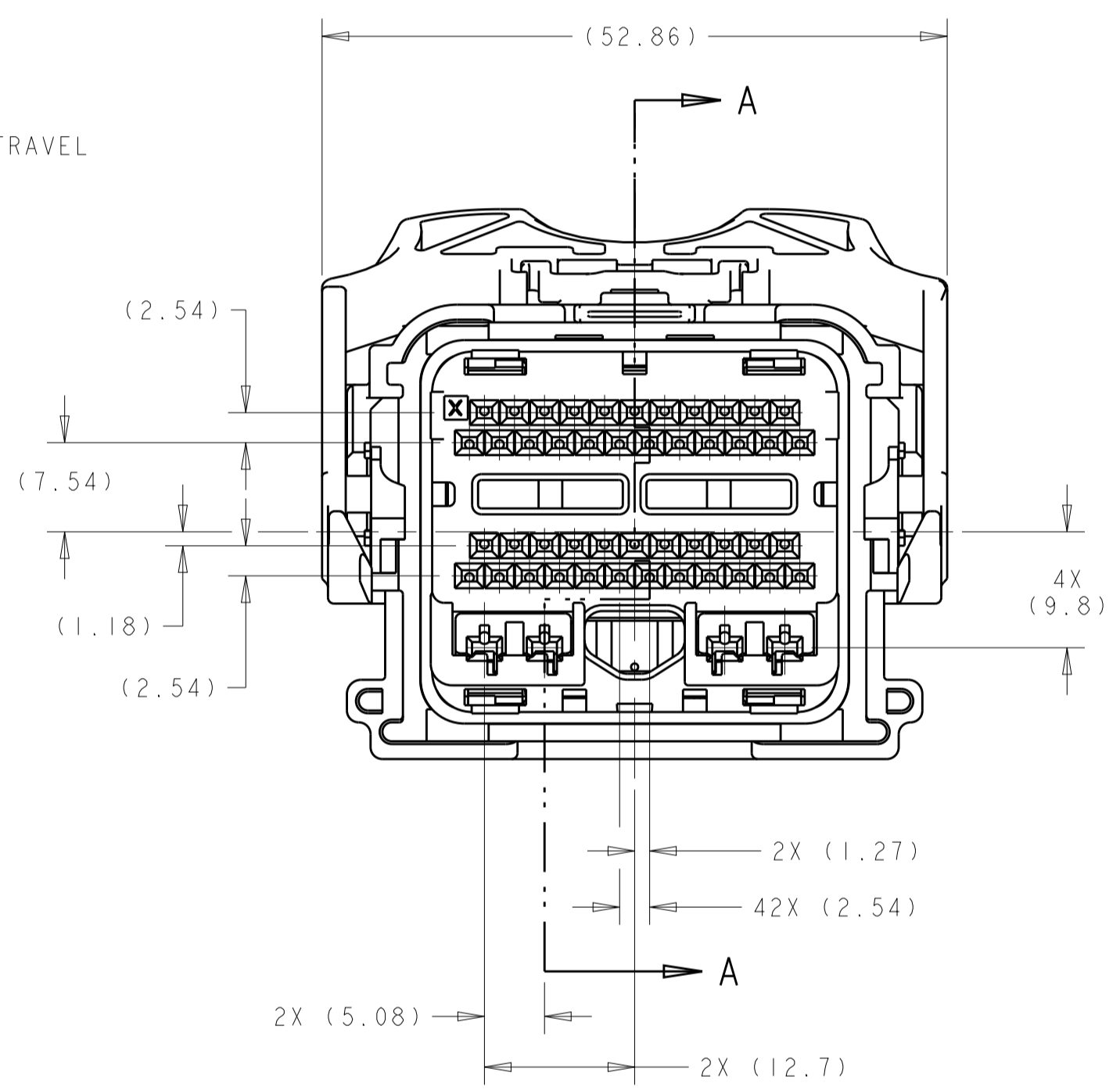


SCALE 2:1

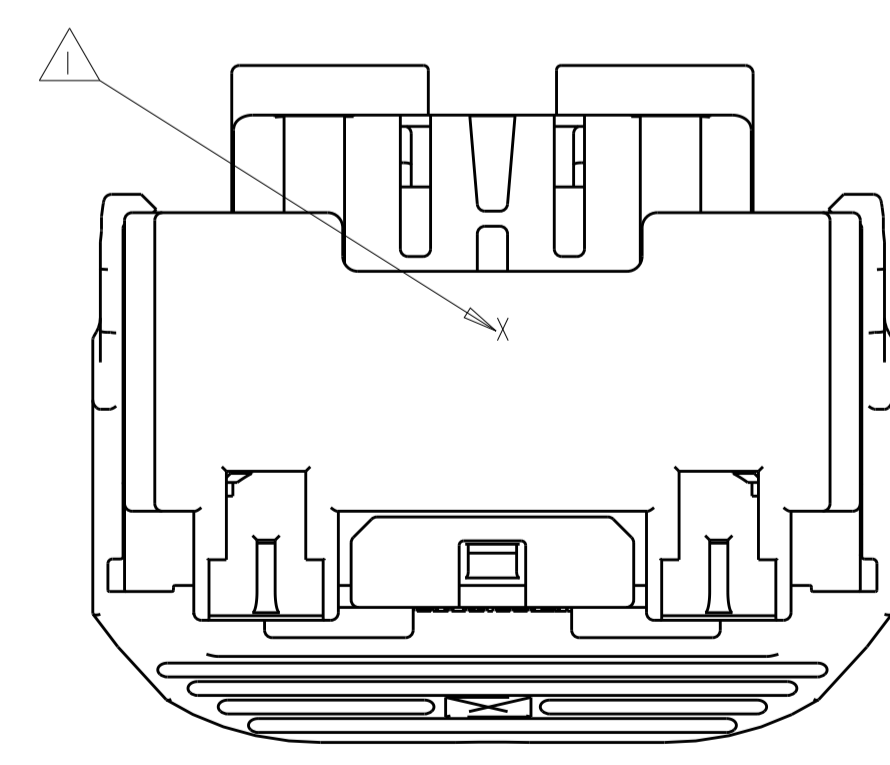
MIN. FEED THRU
CONDITION WITH 1mm
CLEARANCE ALL AROUND
SHOWN WITH SPACER IN SEATED POSITION



SECTION A-A
SPACER AND LEVER IN
PRE-SEATED POSITION
(DELIVERY CONDITION)

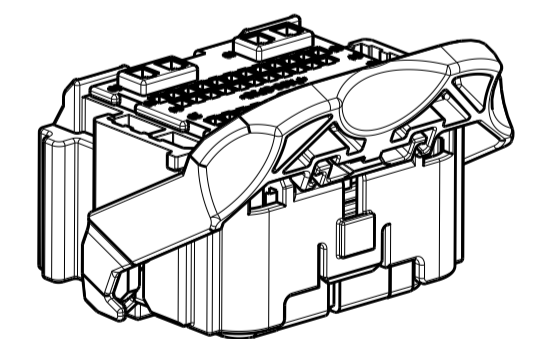


SHOWN WITH CAM
LEVER AND SPACER
IN LOADED POSITION



REVISIONS				
P.	LTN.	DESCRIPTION	DATE	APPV.
F32		REVISED PER ECO-16-003418	08MAR2016	DLD DCM
F33		REVISED PER ECO-16-018427	25JAN2017	DLD DCM
F34		REVISED PER ECO-17-007768	30MAY2017	DLD DCM
F35		REVISED PER ECO-17-014872	24OCT2017	JMS CM

- PRINT PART NUMBER (5S4T-14A464-L*-***, 5S4T-14A464-M*-***, 5S4T-14A464-N*-***) AND TRACEABILITY (YY : 2 DIGIT YEAR, JJJ = JULIAN DATE, HH = 2 DIGIT MILITARY HOUR CODE IN THE LOCATION AT ASSEMBLY. SEE SHEET 3 THRU 7 (-*) PART NUMBERS.
 - APPLICABLE MOLEX (1.5) POWER TERMINAL PART NUMBERS:
33012-0002 TIN 0.50-1.50mm²
 - CAM LEVER AND SPACER ARE SHIPPED IN THEIR PRE-ASSEMBLED POSITIONS.
 - REFERENCE TO CONNECTIVITY INSTRUCTION SHEET 408-8893.
- 5 COMPANY LOGO.



SCALE 1:1

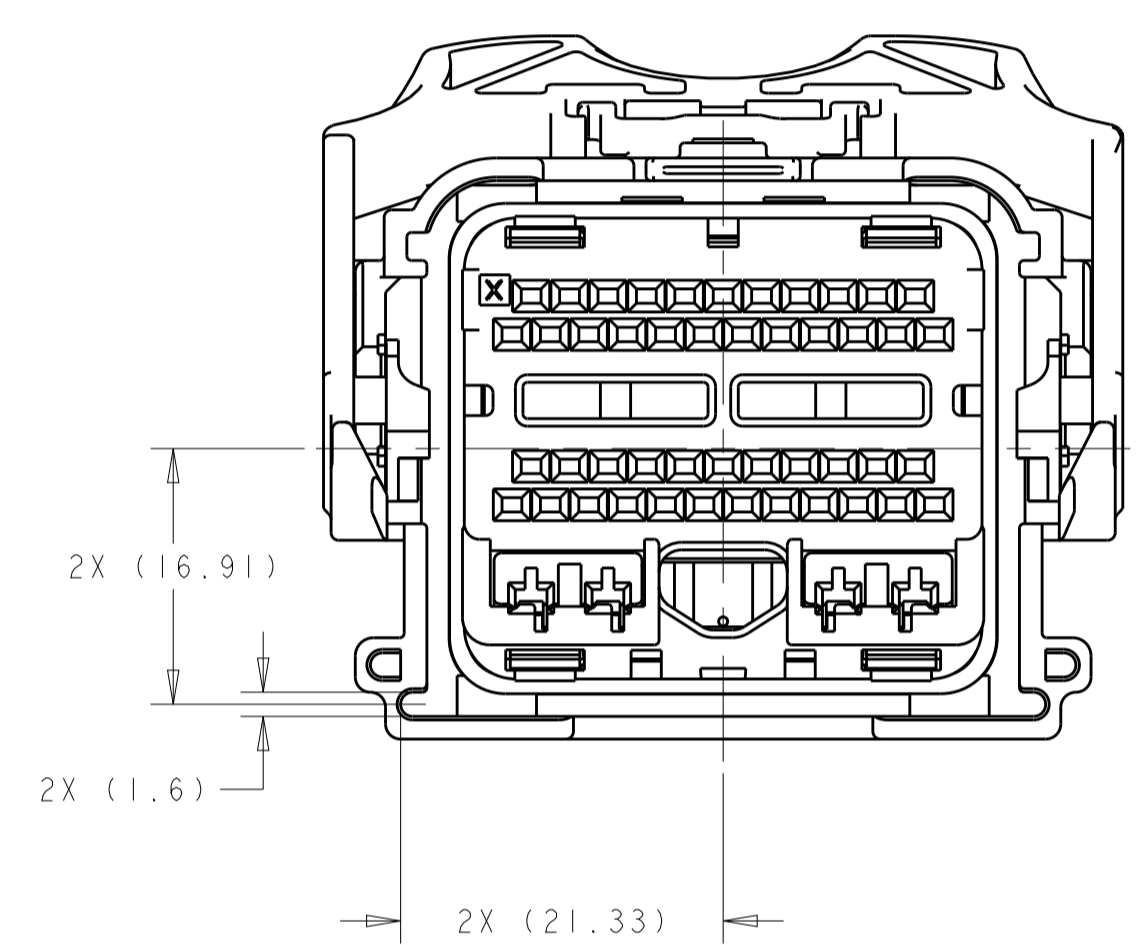
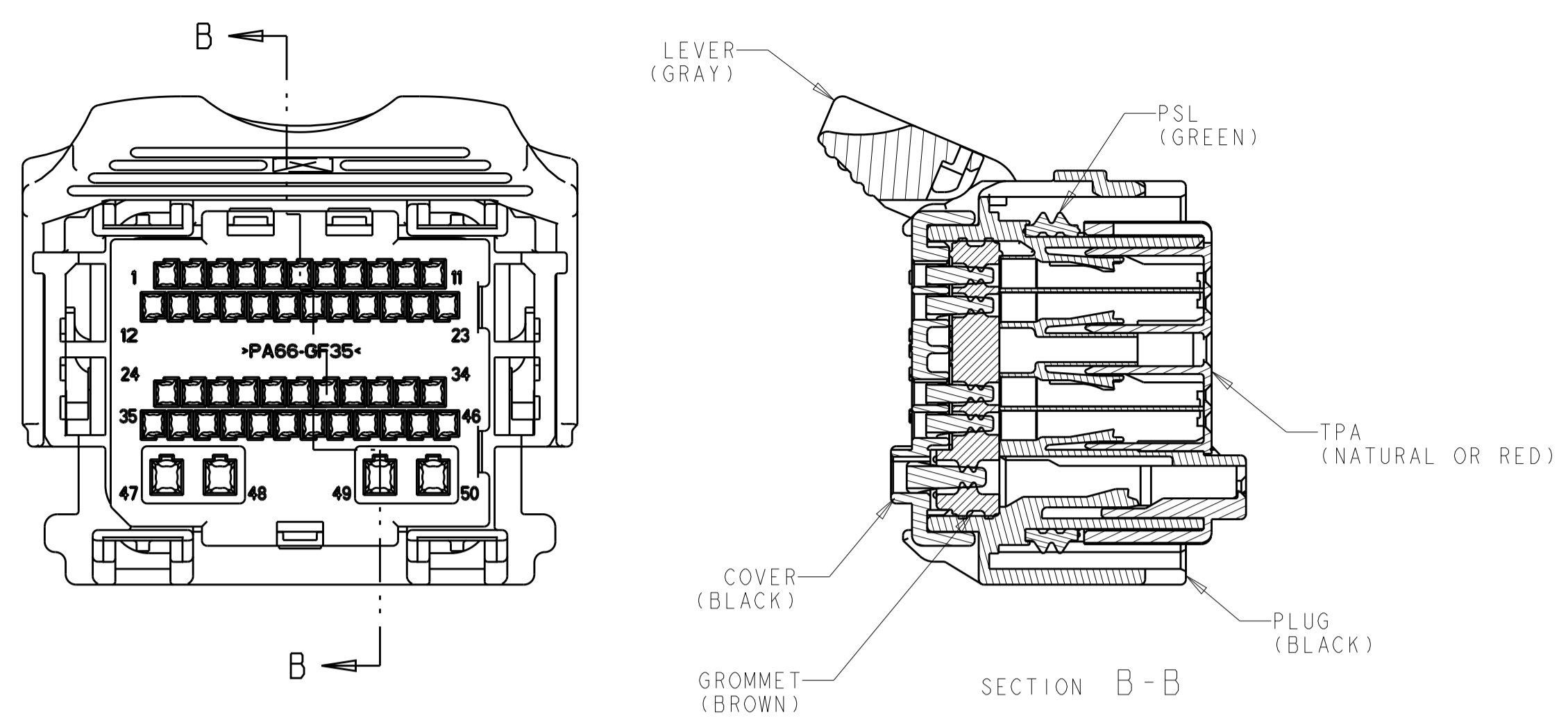
APPLICABLE COMPONENTS (FOR REFERENCE ONLY)						
DESCRIPTION	NOMINAL TERMINAL SIZE	COLOR/PLATING	FORD COMPONENT PART NUMBER	SUPPLIER PART NUMBER	MATERIAL/SPECIFICATION NUMBER	SAE WIRE SIZE
TERMINAL - FEMALE (Ag)	0.64 (CAT. 0)	SILVER	7S4T-14474-AA	I393366-2	COPPER ALLOY/SILVER PLATE	20AWG
						18AWG
TERMINAL - FEMALE (Ag)	0.64 (CAT. 0)	SILVER	7S4T-14474-BA	I393367-2	COPPER ALLOY/SILVER PLATE	22AWG
TERMINAL - FEMALE (Sn)	0.64 (CAT. 0)	TIN	1L2T-14474-AA	I393366-1	COPPER ALLOY/TIN PLATE	20AWG
						18AWG
TERMINAL - FEMALE (Sn)	0.64 (CAT. 0)	TIN	1L2T-14474-BA	I393367-1	COPPER ALLOY/TIN PLATE	22AWG
TERMINAL - FEMALE (Au)	0.64 (CAT. 0)	GOLD	1L2T-14474-CA	I393365-1	COPPER ALLOY/GOLD PLATE	20AWG
						18AWG
TERMINAL - FEMALE (Au)	0.64 (CAT. 0)	GOLD	1L2T-14474-DA	I393364-1	COPPER ALLOY/GOLD PLATE	22AWG

ANY DESIGN CHANGES ON THIS ASSEMBLY MAY ALSO BE REQUIRED ON ASSEMBLY DRAWING 1438691

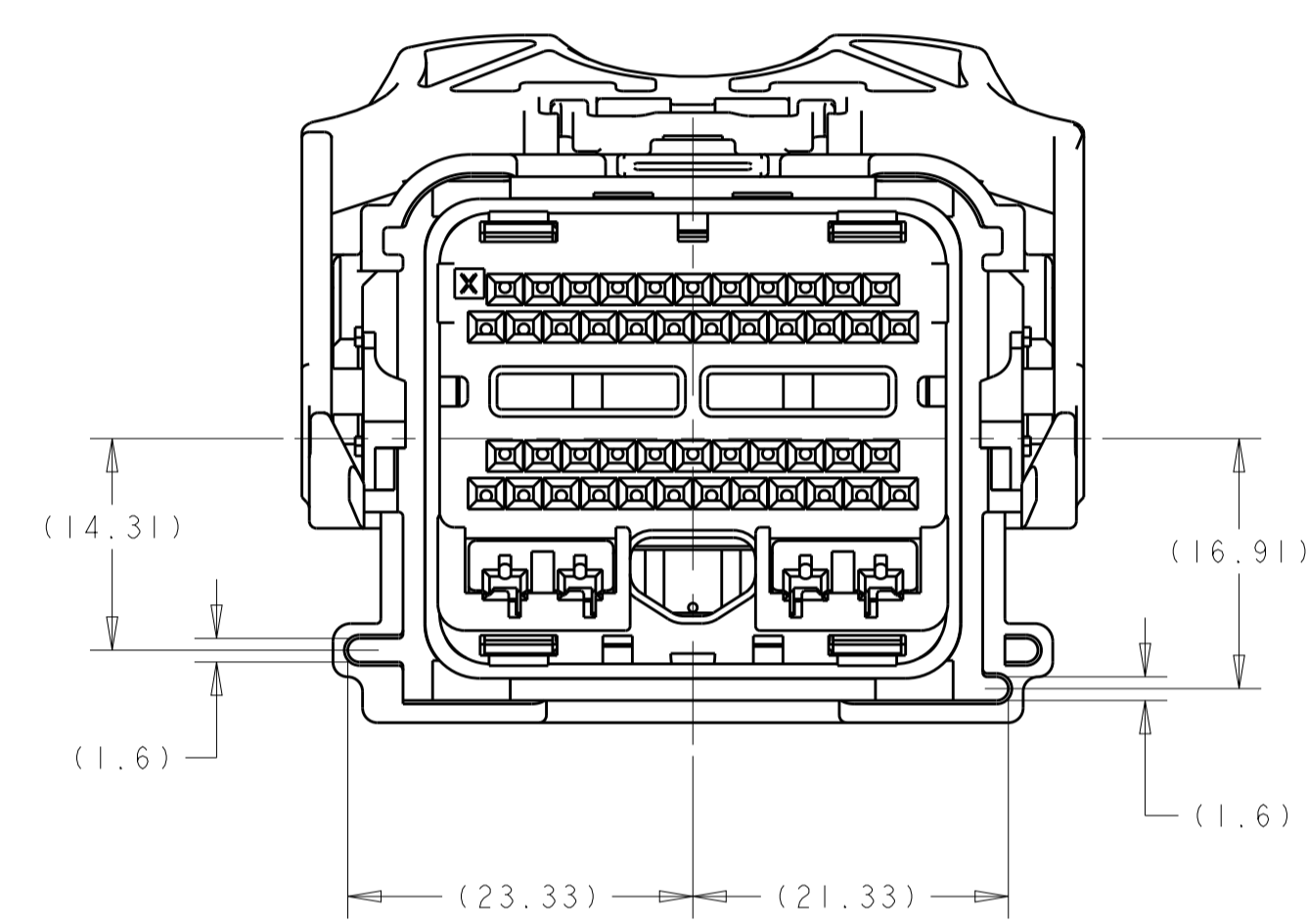
SEE TABLES
SHEETS 3 THRU 7
PART NUMBER

THIS DRAWING IS A CONTROLLED DOCUMENT.		OWN: R. VESTAL 15APR2005	
DIMENSIONS: mm		CHK: T. VALASEK 15APR2005	
TOLERANCES UNLESS OTHERWISE SPECIFIED:		APPV: T. VALASEK 15APR2005	NAME: 50-WAY HARNESS ASSEMBLY, PCM
0 PLC ±0.3 1 PLC ±0.10 2 PLC ±0.10 3 PLC ±0.10 4 PLC ±0.10 ANGLES ±1°		PRODUCT SPEC: -	APPLICATION SPEC: -
MATERIAL: -		WEIGHT: -	SIZE: CAGE CODE: DRAWING NO: A100779C=1438129
FINISH: -		CUSTOMER DRAWING	RESTRICTED TO: -
		SCALE: 1:1	SHEET 1 OF 10 REV: F35

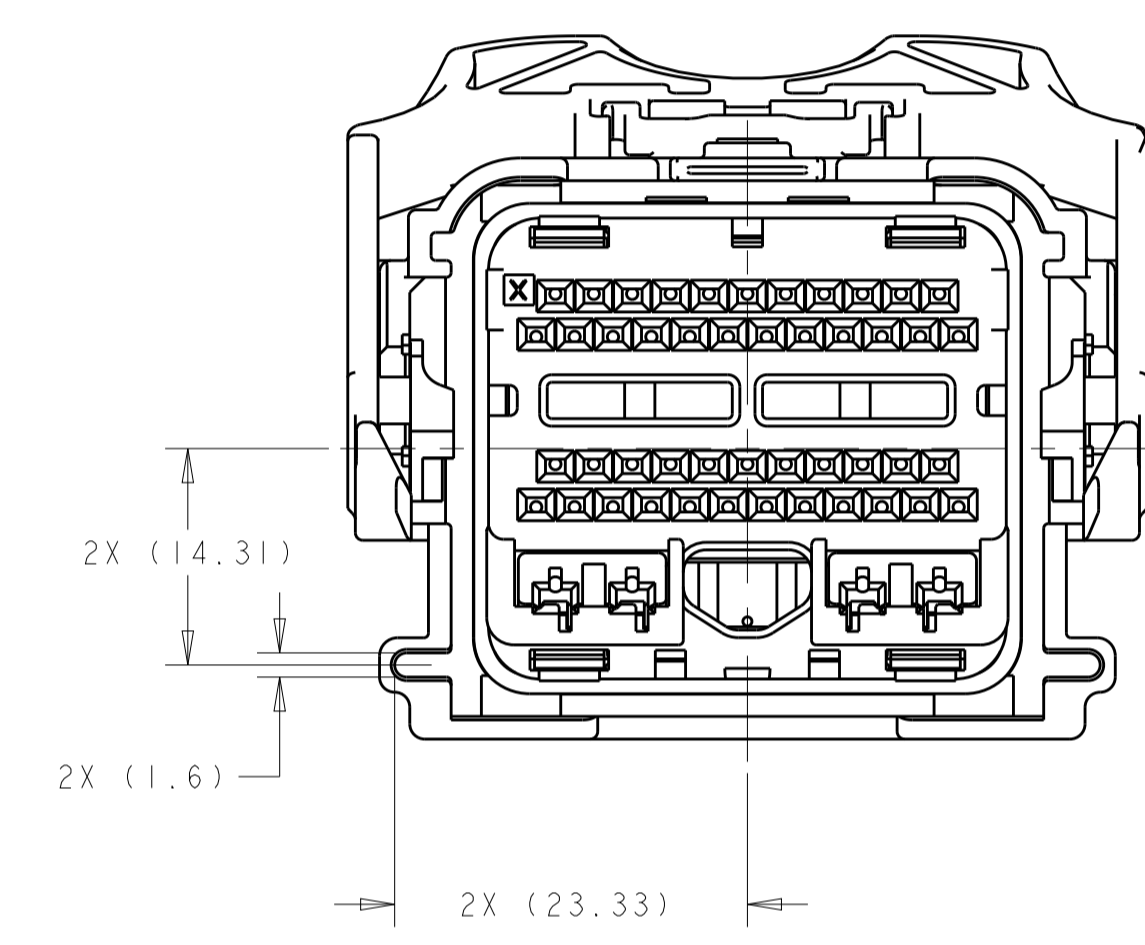
REVISIONS				
P.	LTH	DESCRIPTION	DATE	APPV
-	-	SEE SHEET 1	-	-



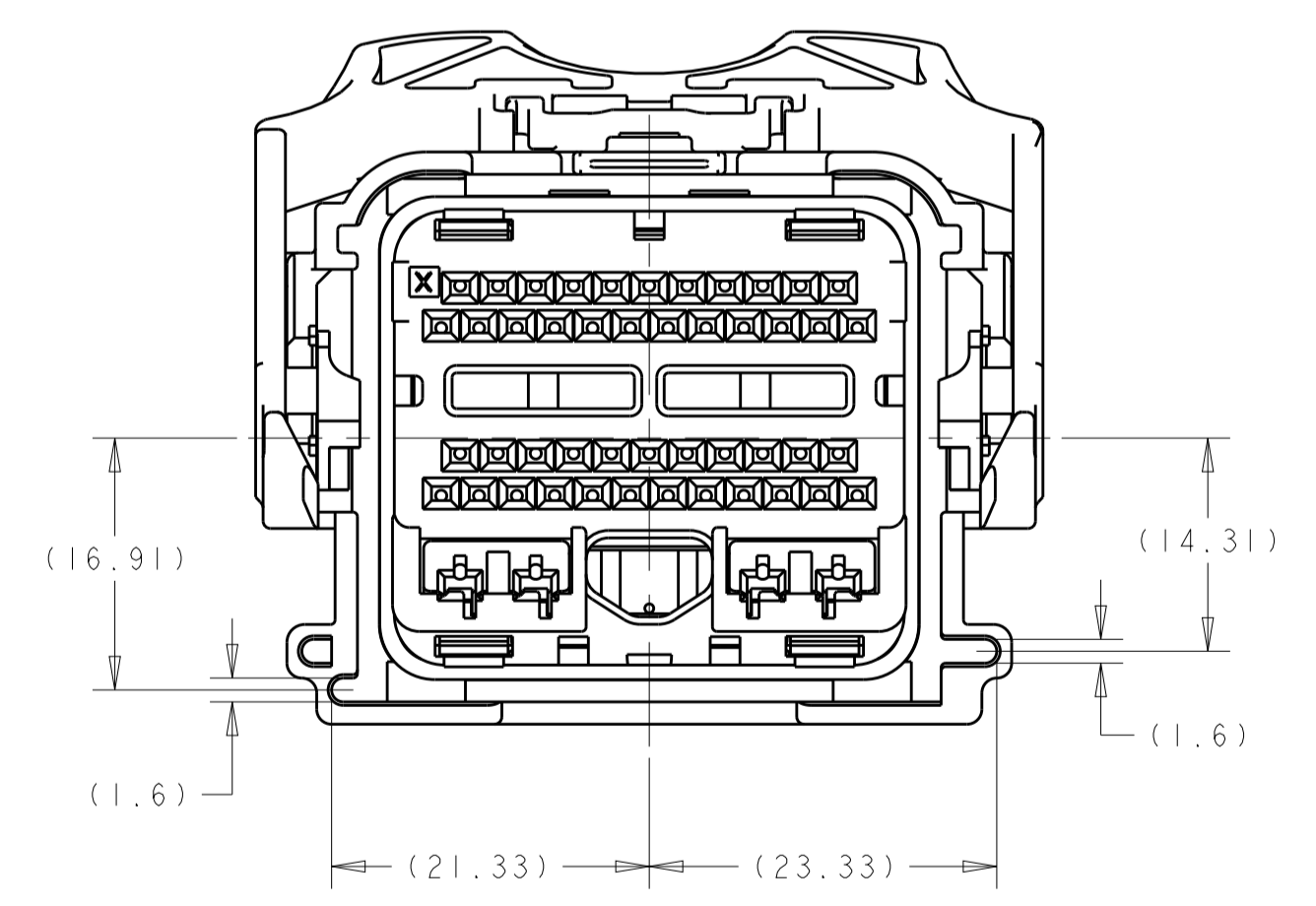
1438129-1
KEYING OPTION "A"



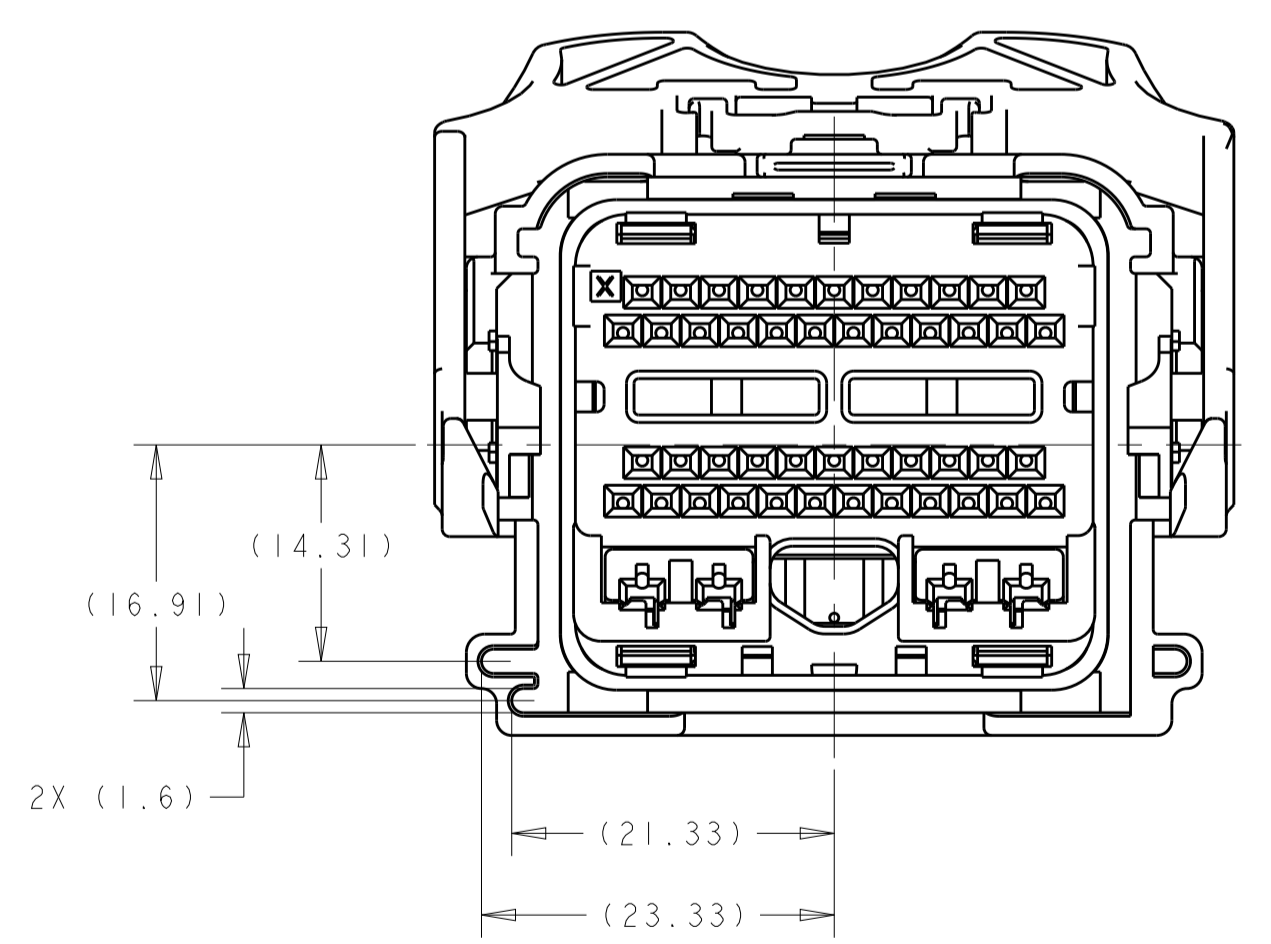
1438129-2
KEYING OPTION "B"



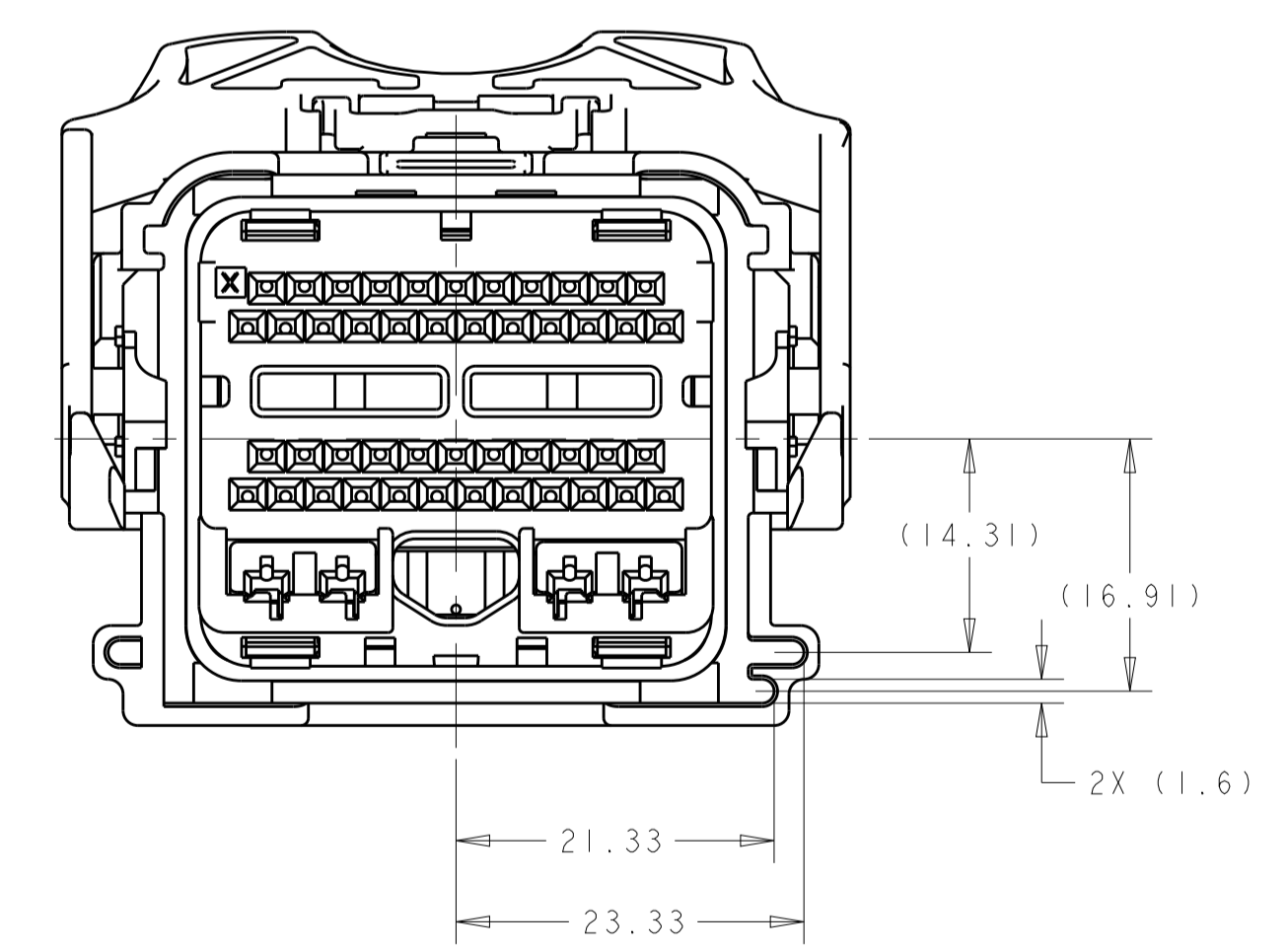
1438129-3
KEYING OPTION "C"




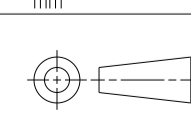
1438129-4
KEYING OPTION "D"



1438129-5
KEYING OPTION "E"

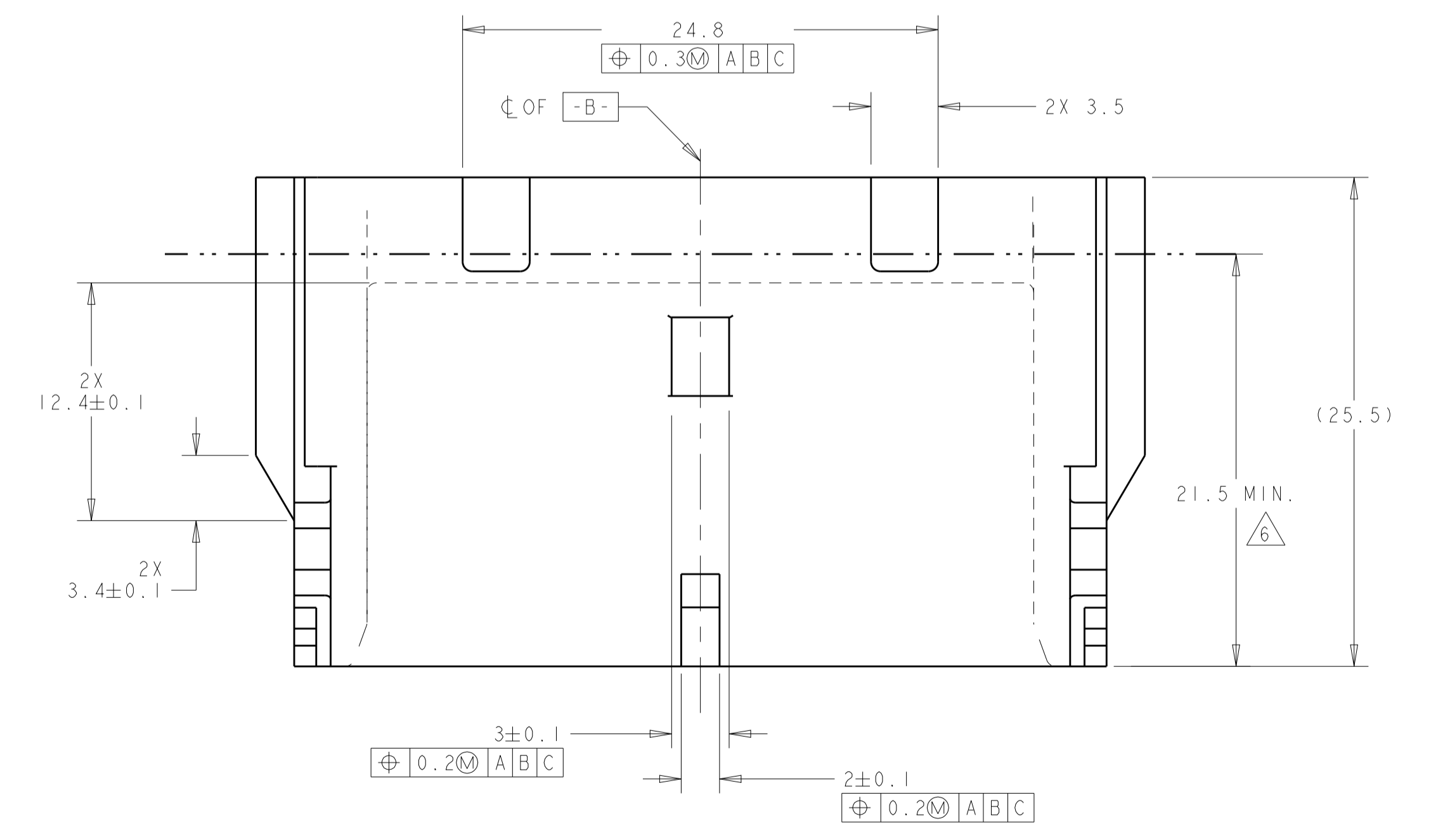
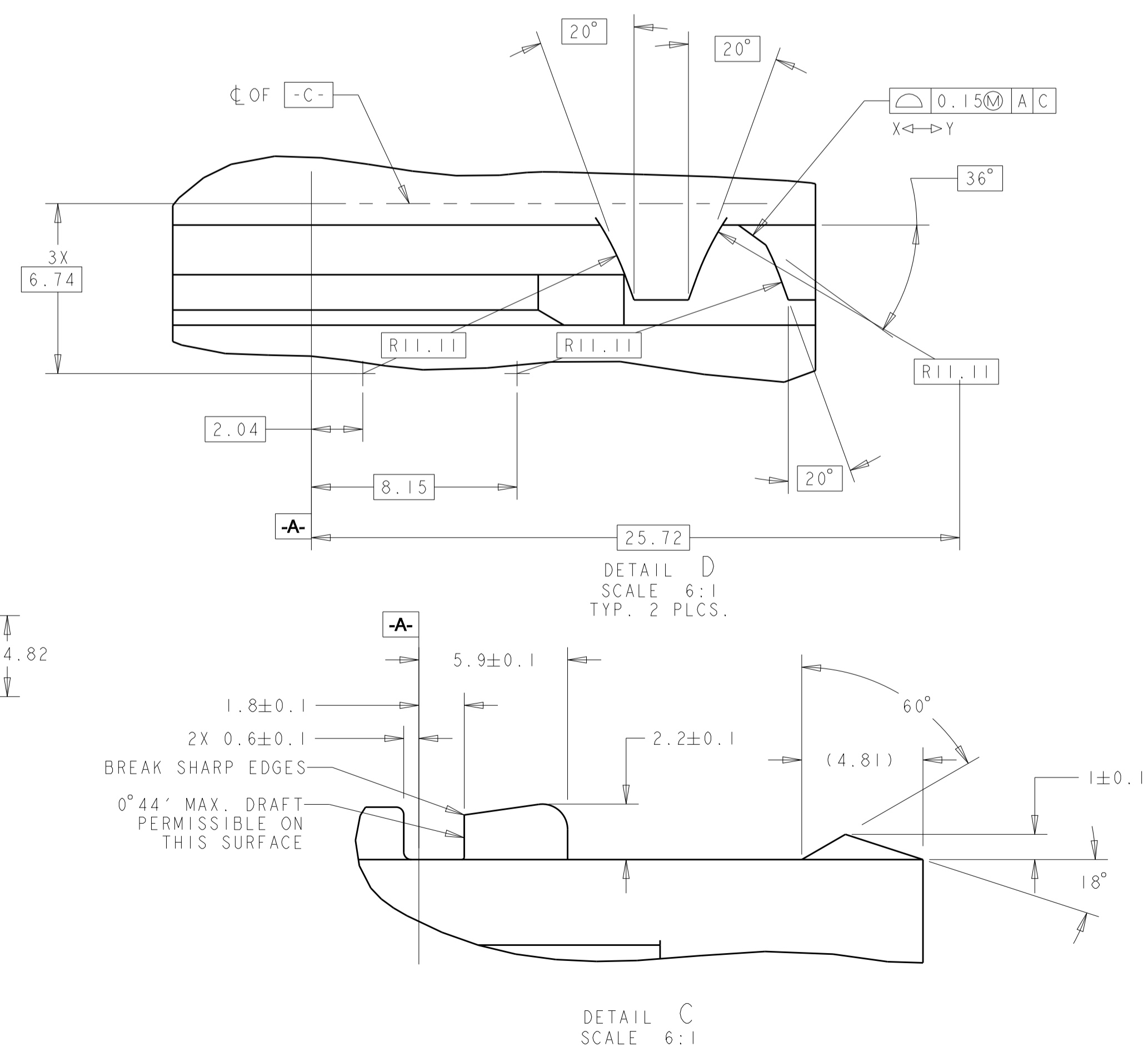
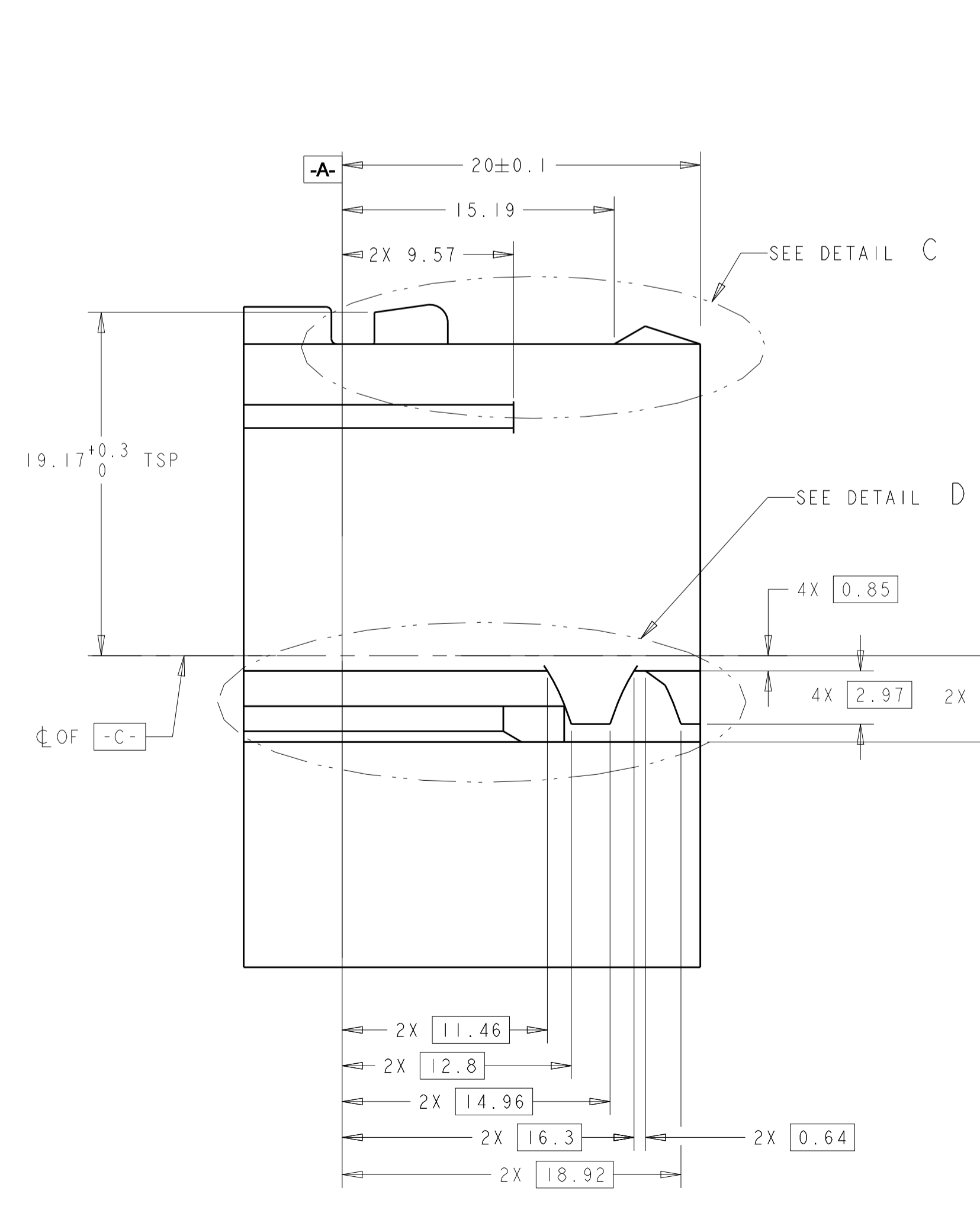
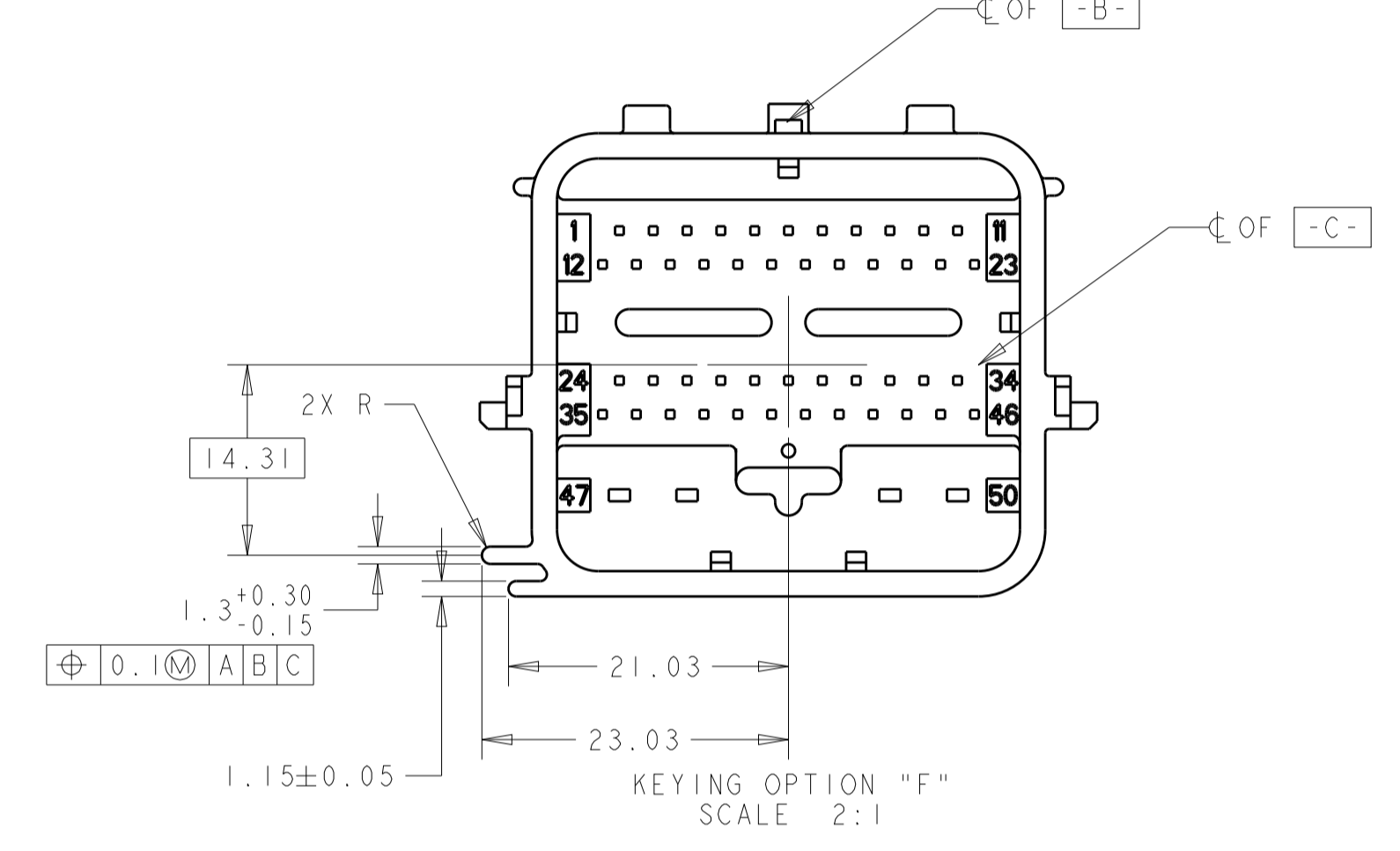
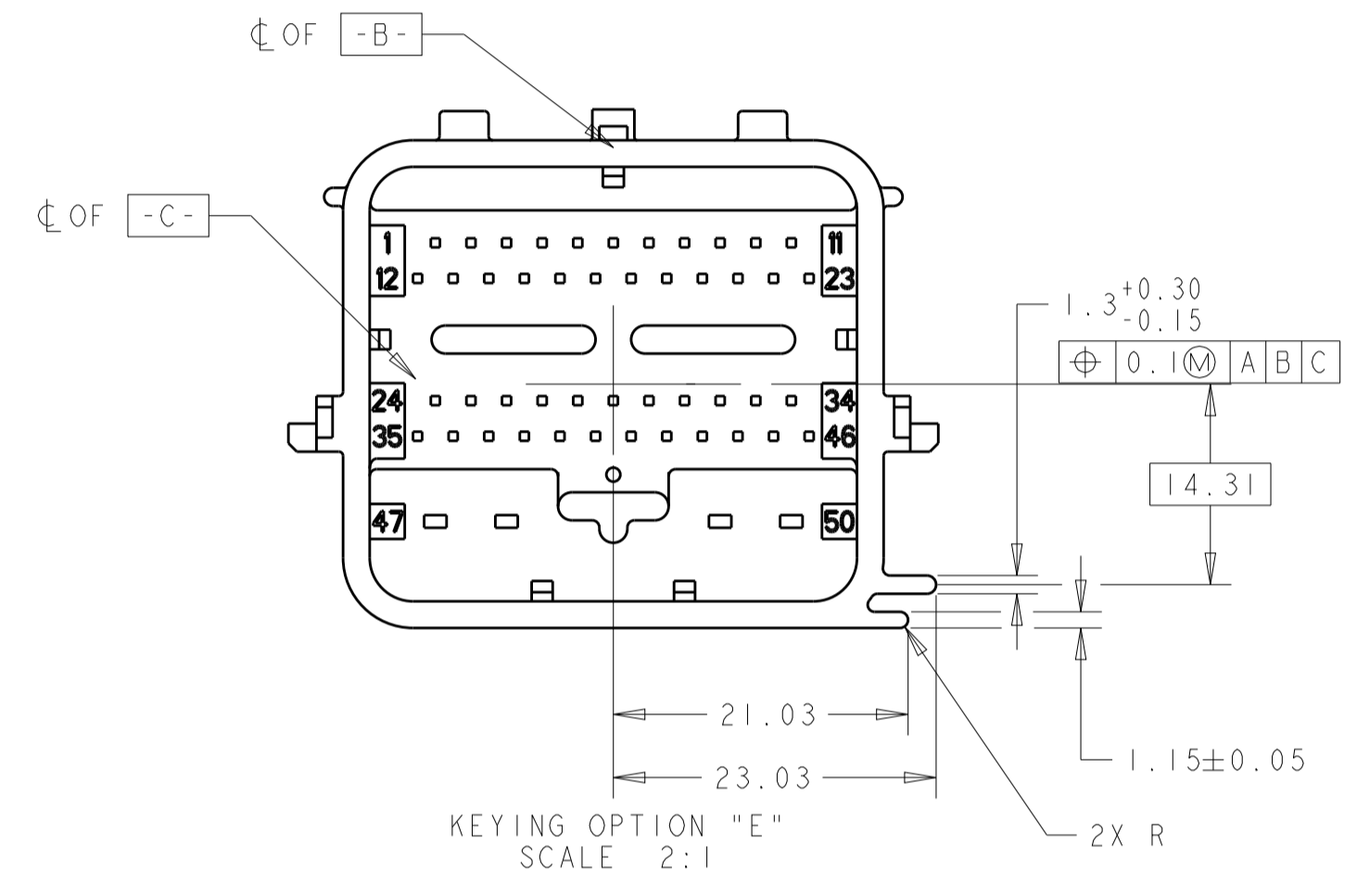
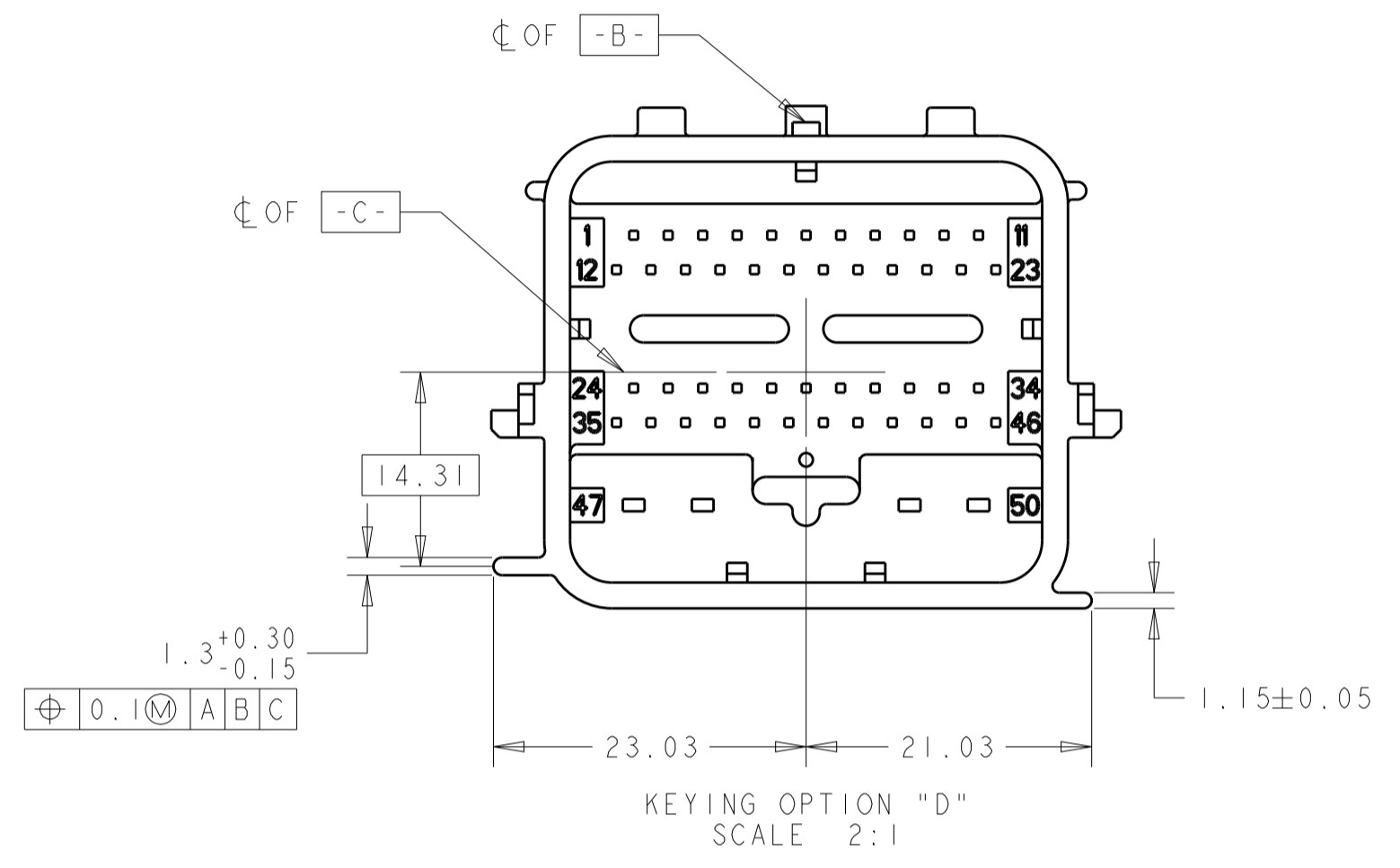
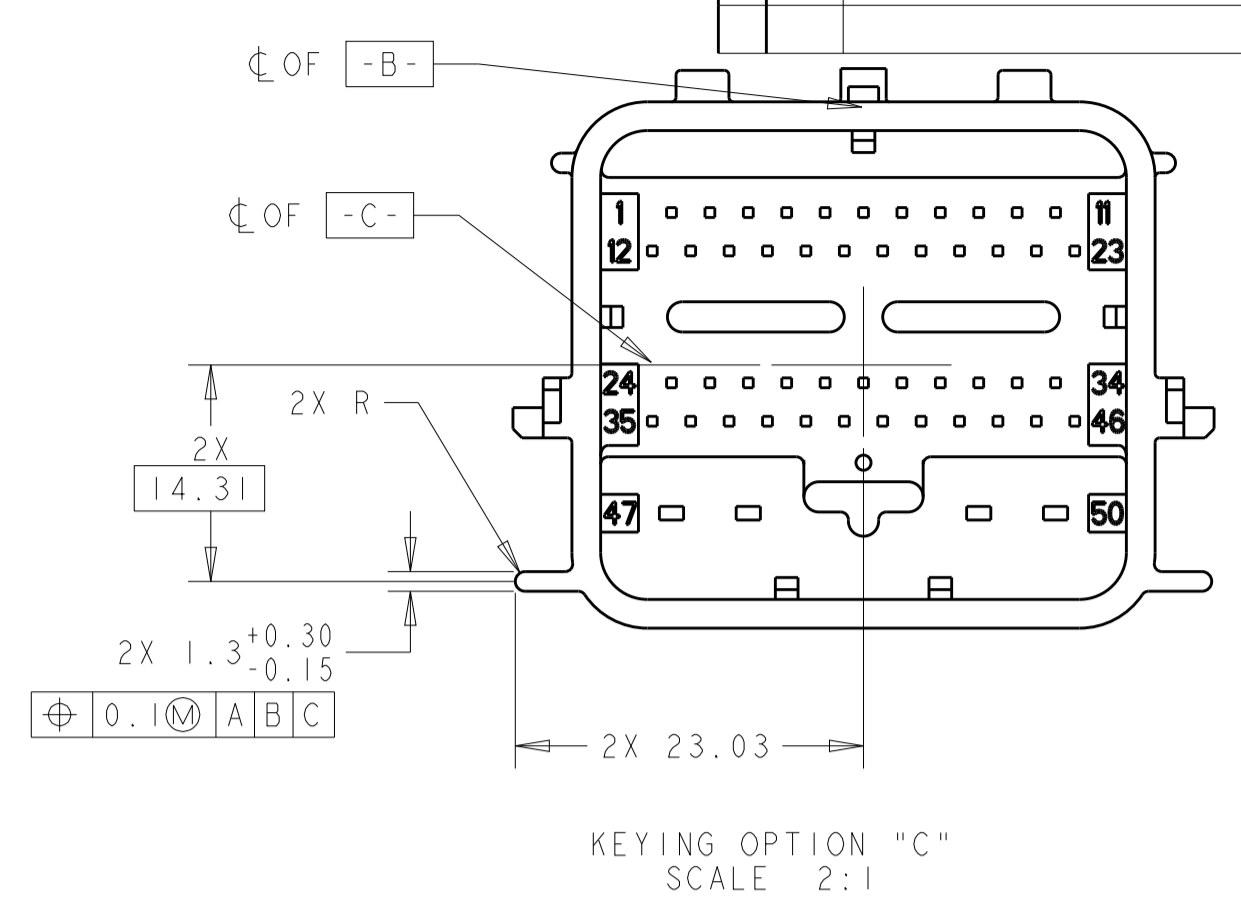
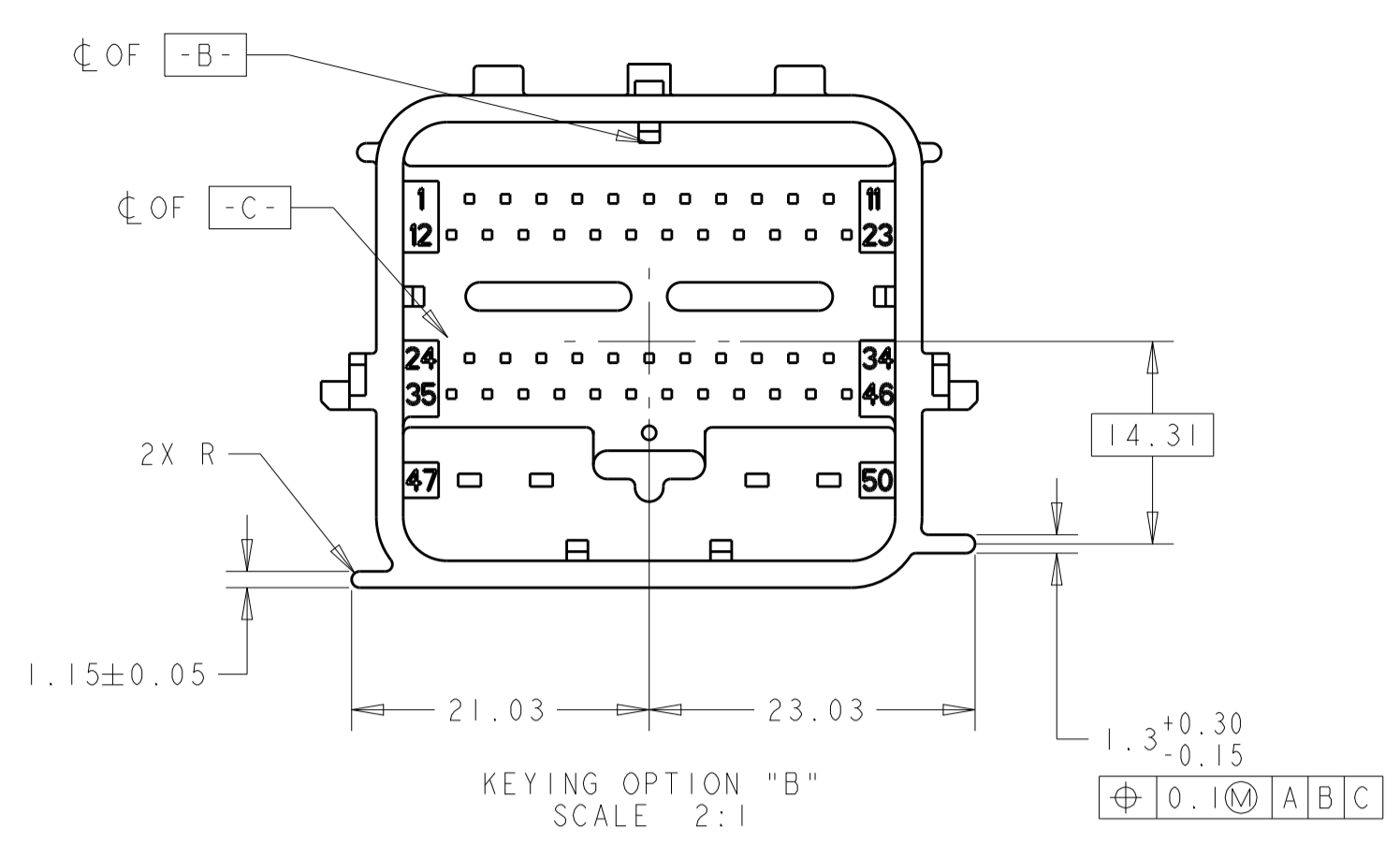
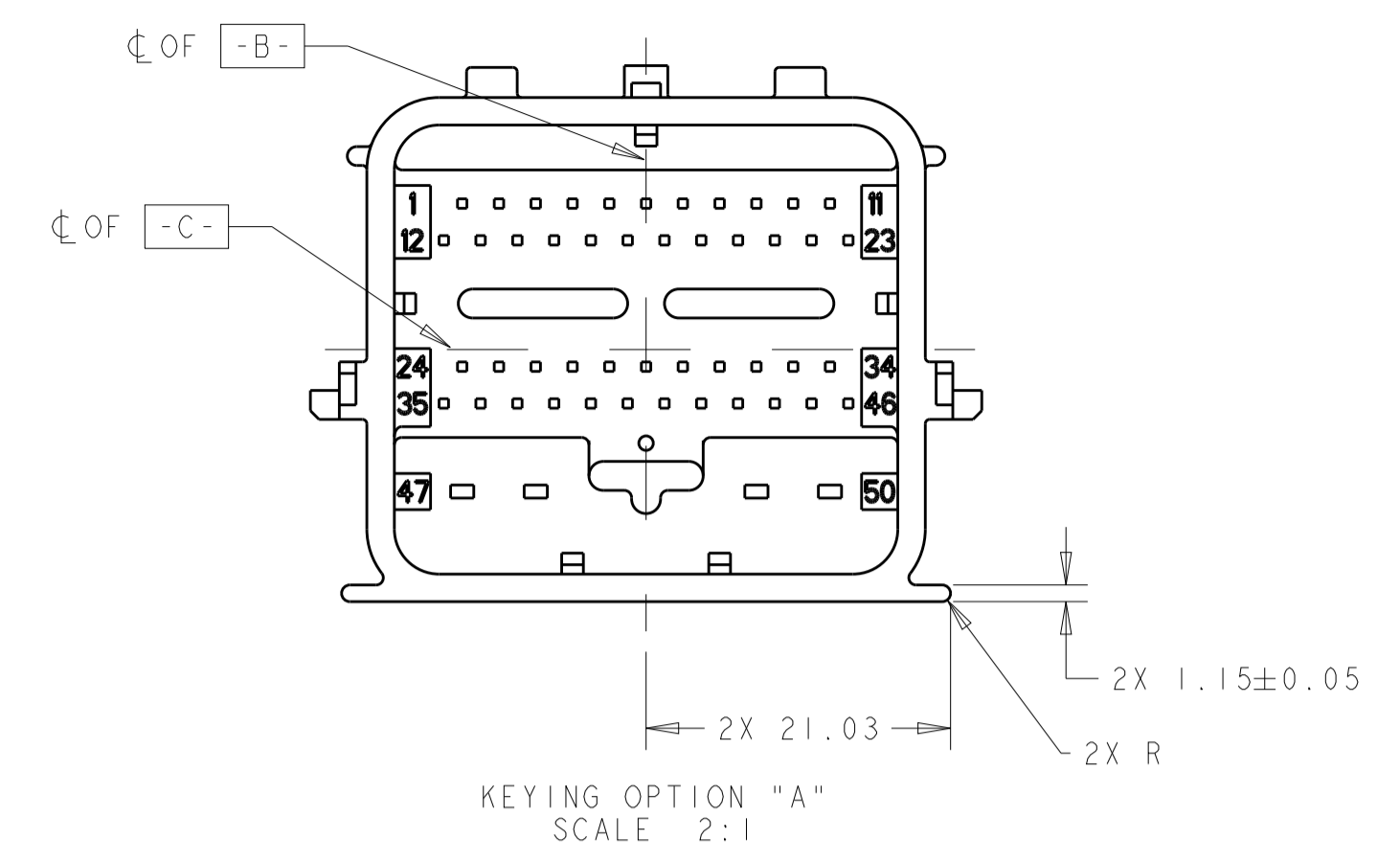


1438129-6
KEYING OPTION "F"

THIS DRAWING IS A CONTROLLED DOCUMENT.		OWN R. VESTAL 15APR2005	 TE Connectivity
DIMENSIONS:		CHK T. VALASEK 15APR2005	
mm	TOLERANCES UNLESS OTHERWISE SPECIFIED:	APVD T. VALASEK 15APR2005	NAME 50-WAY HARNESS ASSEMBLY, PCM
	0 PLC ± 1 PLC ±0.3 2 PLC ±0.10 3 PLC ± 4 PLC ± ANGLES ± FINISH ±	PRODUCT SPEC APPLICATION SPEC	SIZE A100779C=1438129
MATERIAL		WEIGHT	RESTRICTED TO
		CUSTOMER DRAWING	SCALE 2:1 SHEET 2 OF 10 REV F35

HEADER INTERFACE KEYING OPTIONS

REVISIONS				
P.	LTN.	DESCRIPTION	DATE	OWN. APVD.
-	-	SEE SHEET 1	-	-



THIS DRAWING IS A CONTROLLED DOCUMENT.		OWN. R. VESTAL 15APR2005	TE Connectivity
DIMENSIONS: mm		CHK. T. VALASEK 15APR2005	
TOLERANCES UNLESS OTHERWISE SPECIFIED:		APVD. T. VALASEK 15APR2005	NAME 50-WAY HARNESS ASSEMBLY, PCM
0 PLC ±	1 PLC ±0.3	PRODUCT SPEC	SIZE CAGE CODE DRAWING NO. RESTRICTED TO
2 PLC ±0.10	3 PLC ±	APPLICATION SPEC	A100779C=1438129
4 PLC ±	ANGLES ±	WEIGHT	SHEET 10 OF 10
MATERIAL	FINISH	CUSTOMER DRAWING	SCALE 1:1

Mouser Electronics

Authorized Distributor

Click to View Pricing, Inventory, Delivery & Lifecycle Information:

[TE Connectivity:](#)

[4-1438129-7](#)