

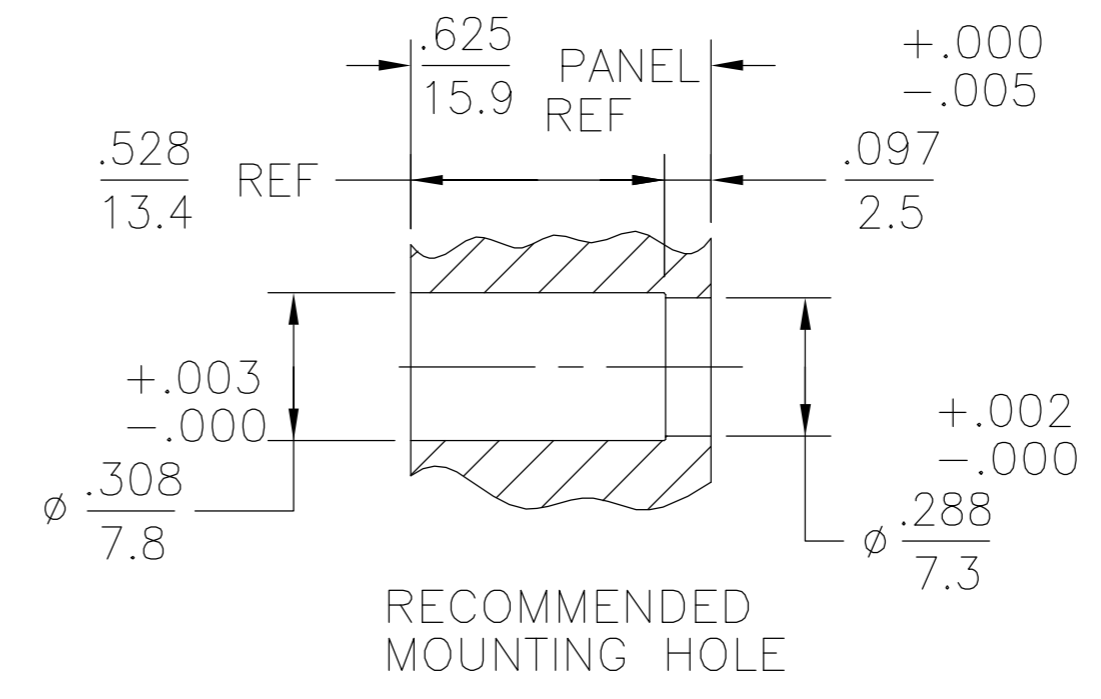
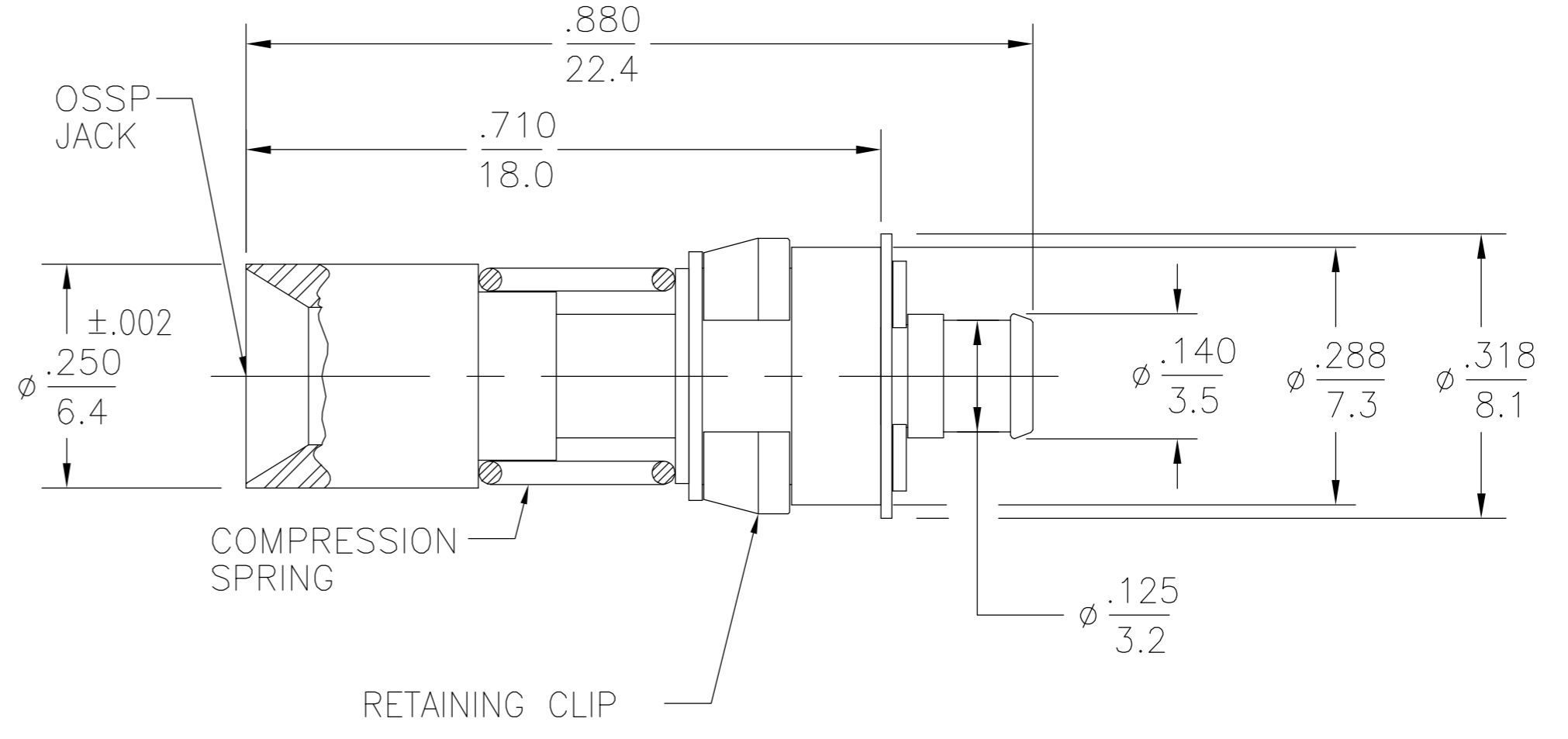
THIS DRAWING IS UNPUBLISHED. RELEASED FOR PUBLICATION
 © COPYRIGHT BY TYCO ELECTRONICS CORPORATION. ALL RIGHTS RESERVED.

ELECTRICAL	MECHANICAL	ENVIRONMENTAL
Nominal Impedance (Ohms) <u>50</u>	Interface Dimensions <u>SEE TYCO ELECTRONICS CATALOG</u>	TEMPERATURE RATING <u>-65° TO +105°C</u>
Frequency Range (GHz) <u>DC to 28</u>	Mating Characteristics:	Vibration MIL-STD-202, Method 204, Condition D, 20 G's
Volt Rating (VRMS MAX) @ Sea Level <u>335</u>	Insertion (MAX Lbs) <u>3</u>	Shock MIL-STD-202, Method 213, Condition I, 100 G's
VSWR <u>1.05+.01f(GHz)</u>	Withdrawal (MIN Oz) <u>0.5</u>	Thermal Shock MIL-STD-202, Method 107, Condition B
Insertion Loss (dB MAX) <u>.04x√f(GHz)</u>	Force to Engage (In-Lbs MAX) <u>3</u>	Moisture Resistance MIL-STD-202, Method 106
RF Leakage (dB MIN) (Interface Only, Fully Mated) <u>-(90-f(GHz))</u>	& Disengage (In-Lbs MAX) <u>1.5</u>	Corrosion - MIL-STD-202, Method 101, Condition B
Corona, 70,000 Ft (VRMS MIN) <u>250</u>	Center Contact Captivation Axial (Lbs) <u>4</u>	
Dielectric Withstanding Voltage (VRMS MIN) @ Sea Level <u>675</u>		
Contact Resistance (Milliohms MAX) Center Contact <u>6.0</u>		
Outer Contact <u>3.0</u>		
Cable to Housing <u>0.5</u>		
RF High Potential @ Sea Level (VRMS MIN @ 5 MHz) <u>675</u>		
I.R.(Megohms MIN) <u>5000</u>		

DESIGNED FOR USE WITH UFF 092A CABLE	LOC DF	DIST X0
CABLE ENTRY DIAMETER MINIMUM		
HOUSING	.094	
CONTACT	.021	

REVISIONS			
P	LTR	DESCRIPTION	DATE
D		REV PER 0H14-0102-05	2-28-05

- CONNECTOR ALLOWS FOR .060 MINIMUM AXIAL FLOAT
- PARTS TO BE UNASSEMBLED FOR ASSEMBLY PURPOSES.



HOUSING	STAINLESS STEEL PER ASTM-A484 AND ASTM-A582, TYPE 303	GOLD PLATE PER MIL-G-45204
BUSHING WASHER	STAINLESS STEEL PER ASTM-A484 AND ASTM-A582, TYPE 303	PASSIVATE PER QQ-P-35
DIELECTRIC	PTFE FLUOROCARBON PER ASTM-D-1457	N/A
CENTER CONTACT CONTACT SLEEVE	BERYLLIUM COPPER PER ASTM-B-196 OR ASTM-B-197, ALLOY C17300, CONDITION H	GOLD PLATE PER MIL-G-45204
RETAINING RING	STAINLESS STEEL	PASSIVATED
RETAINING CLIP	BERYLLIUM COPPER PER ASTM-B-194, ALLOY C17200, CONDITION H	CADMIUM PLATE PER QQ-P-416
CONTACT RING	BERYLLIUM COPPER PER ASTM-B-194, ALLOY C17300, CONDITION H	GOLD PLATE PER MIL-G-45204
SPRING	STAINLESS STEEL	PASSIVATED PER QQ-P-35
COMPONENT	MATERIAL	FINISH

1363290-2
PART NUMBER

THIS DRAWING IS A CONTROLLED DOCUMENT.		DWN RUDY 2/27/98	Tyco Electronics Corporation Harrisburg, Pa 17105-3608	
DIMENSIONS: INCHES		CHK J. HAVENER 13AUG03	NAME J. HAVENER 13AUG03	
TOLERANCES UNLESS OTHERWISE SPECIFIED:		APVD J. HAVENER 13AUG03	PRODUCT SPEC	
0 PLC ± -		APPLICATION SPEC		
1 PLC ± -		WEIGHT -		
2 PLC ± -		SCALE A2		
3 PLC ± .005/(0.13)		CAGE CODE 00779		
4 PLC ± -		DRAWING NO C=1363290		
ANGLES ± 1°		RESTRICTED TO -		
FINISH SEE TABLE		CUSTOMER DRAWING		
		SCALE 4:1 SHEET 1 OF 1 REV D		

Mouser Electronics

Authorized Distributor

Click to View Pricing, Inventory, Delivery & Lifecycle Information:

[TE Connectivity:](#)

[1363290-2](#)