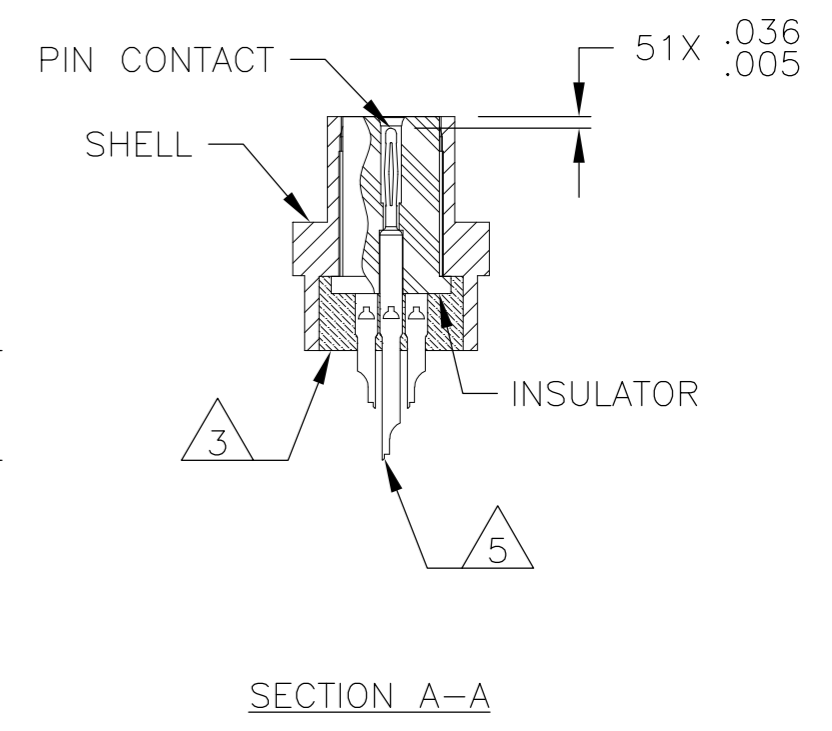
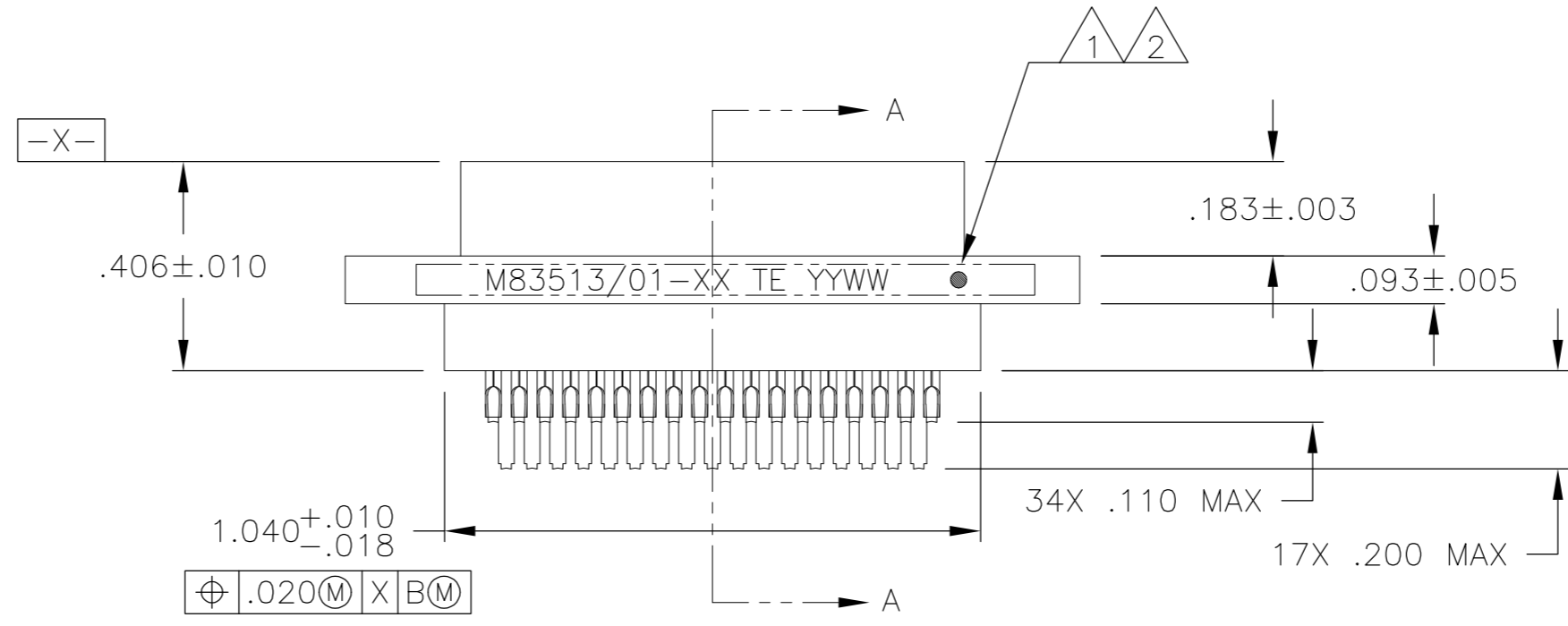
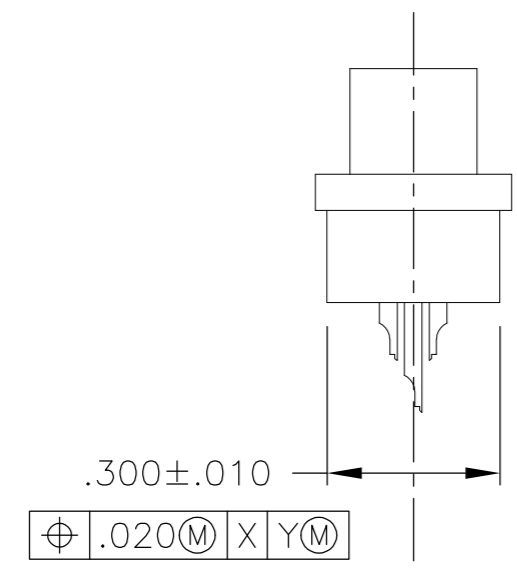
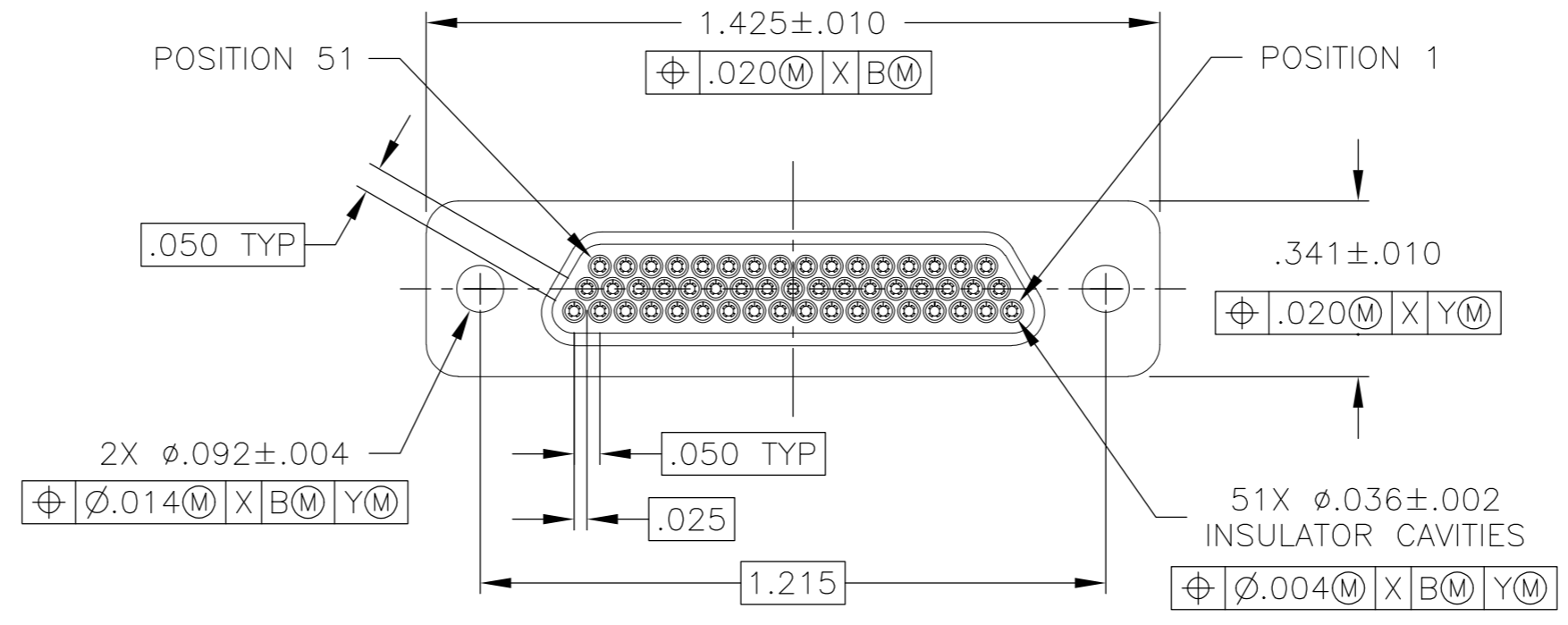
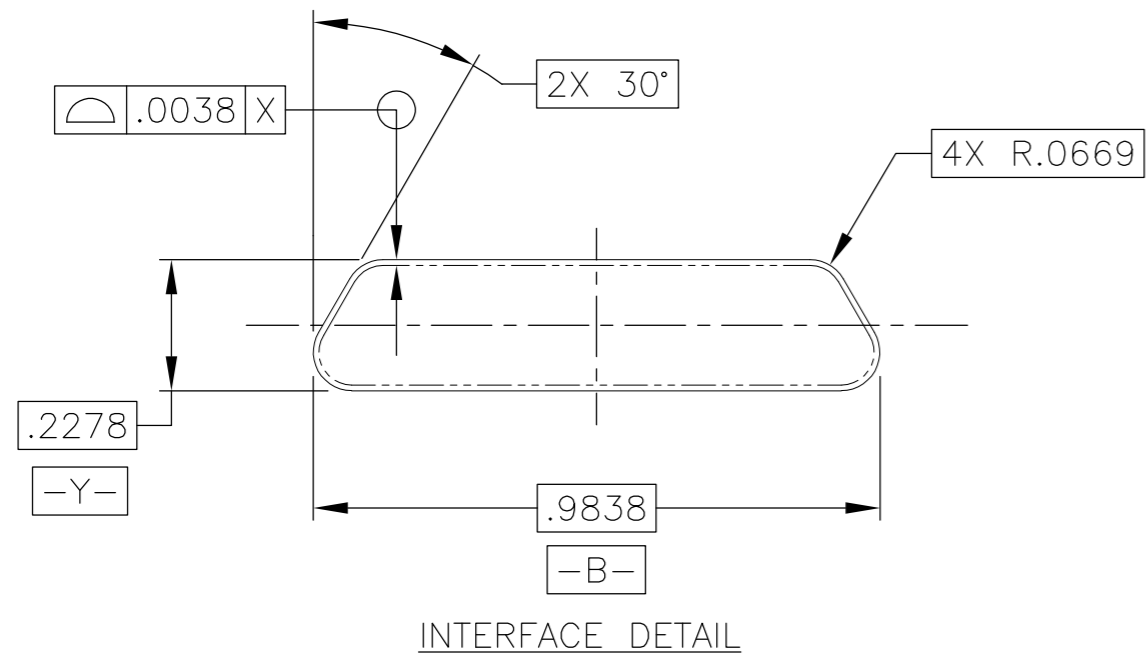


THIS DRAWING IS UNPUBLISHED. RELEASED FOR PUBLICATION
 © COPYRIGHT - By - ALL RIGHTS RESERVED.

REVISIONS				
P	LTR	DESCRIPTION	DATE	APVD
B		UPDATE PER ECO-16-002588	24 FEB 16	CAS CAS



- 1 CONNECTOR SHALL BE MARKED IN ACCORDANCE WITH METHOD I OF MIL-STD-1285. MARKING SHALL CONTAIN THE MILITARY PIN, CAGE CODE (OR TE), AND DATE CODE. EXAMPLE: M83513/01-XX TE YYWW (WHERE XX IS PART OF THE PIN SHOWN IN THE "MIL-DTL-83513" COLUMN OF THE PART NUMBER TABLE, AND YYWW IS THE DATE CODE). TEXT HEIGHT SHALL BE .035 INCH MINIMUM.
- 2 POSITION 1 SHALL BE INDICATED BY AN IDENTIFIABLE MARK, LOCATED APPROXIMATELY AS SHOWN ON THE POSITION 1 SIDE OF THE CONNECTOR FLANGE. THIS MARK SHALL BE INCLUDED AS PART OF THE PART MARKING INFORMATION.
- 3 EPOXY ENCAPSULATION. EPOXY MAY WICK .050 INCH MAX FOR SOLDER CUPS.
- 4 ALL DIMENSIONS AND REQUIREMENTS ARE PER MIL-DTL-83513/1
- 5 CHAMFER ON SOLDER POTS ARE PARALLEL WITH THE SIDE OF CONNECTOR WITHIN 10°

THIS DRAWING IS A CONTROLLED DOCUMENT.		DWN B. ROMANCHUK 03 SEP 08		
DIMENSIONS: INCHES		CHK M. STORRY 03 SEP 08		
TOLERANCES UNLESS OTHERWISE SPECIFIED:		APVD	NAME	
0 PLC ± -		PRODUCT SPEC	PLUG ASSEMBLY, MICRO-D PER MIL-DTL-83513/01, MCKS SEREIS, 51 POSITION	
1 PLC ± -		APPLICATION SPEC	SIZE	CAGE CODE
2 PLC ± .010		WEIGHT	A2	98278
3 PLC ± .005		CUSTOMER DRAWING	DRAWING NO	
4 PLC ± -		SCALE	1532215	
5 ANGLES ± 1°		SHEET	1 of 2	
FINISH		REV	B	
SEE NOTES				

4

3

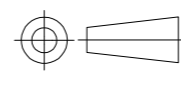
2

1

THIS DRAWING IS UNPUBLISHED. RELEASED FOR PUBLICATION - . -
 © COPYRIGHT - By - ALL RIGHTS RESERVED.

REVISIONS				
P	LTR	DESCRIPTION	DATE	APVD
-	-	SEE SHEET 1	-	-

△	TE	MIL-DTL-83513 PIN	MICRODOT P/N	MCKS DESCRIPTION
1	PART NUMBER	M83513/01-GN	094-6725-0000	MCKS-N1-B-51PS
	1532215-1	M83513/01-GC	094-6735-0000	MCKS-C2-B-51PS
	1532215-2			

THIS DRAWING IS A CONTROLLED DOCUMENT. DIMENSIONS: INCHES  MATERIAL: -	TOLERANCES UNLESS OTHERWISE SPECIFIED: 0 PLC ± - 1 PLC ± - 2 PLC ± - 3 PLC ± - 4 PLC ± - ANGLES ± - FINISH: -	DWN 03 SEP 08 B. ROMANCHUK CHK - APVD 03 SEP 08 M. STORRY PRODUCT SPEC - APPLICATION SPEC - WEIGHT -	<table style="width: 100%;"> <tr> <td colspan="2" style="text-align: center;">TE TE Connectivity</td> </tr> <tr> <td colspan="2" style="text-align: center;">NAME: PLUG ASSEMBLY, MICRO-D PER MIL-DTL-83513/01, MCKS SEREIS, 51 POSITION</td> </tr> <tr> <td>SIZE: A2</td> <td>CAGE CODE: 98278</td> </tr> <tr> <td>DRAWING NO: 1532215</td> <td>RESTRICTED TO: -</td> </tr> <tr> <td colspan="2" style="text-align: center;">CUSTOMER DRAWING</td> </tr> <tr> <td>SCALE: 4:1</td> <td>SHEET: 2 of 2</td> </tr> <tr> <td>REV: B</td> <td>REV: B</td> </tr> </table>	TE TE Connectivity		NAME: PLUG ASSEMBLY, MICRO-D PER MIL-DTL-83513/01, MCKS SEREIS, 51 POSITION		SIZE: A2	CAGE CODE: 98278	DRAWING NO: 1532215	RESTRICTED TO: -	CUSTOMER DRAWING		SCALE: 4:1	SHEET: 2 of 2	REV: B	REV: B
TE TE Connectivity																	
NAME: PLUG ASSEMBLY, MICRO-D PER MIL-DTL-83513/01, MCKS SEREIS, 51 POSITION																	
SIZE: A2	CAGE CODE: 98278																
DRAWING NO: 1532215	RESTRICTED TO: -																
CUSTOMER DRAWING																	
SCALE: 4:1	SHEET: 2 of 2																
REV: B	REV: B																

D

C

B

A

D

C

B

A

1532215